

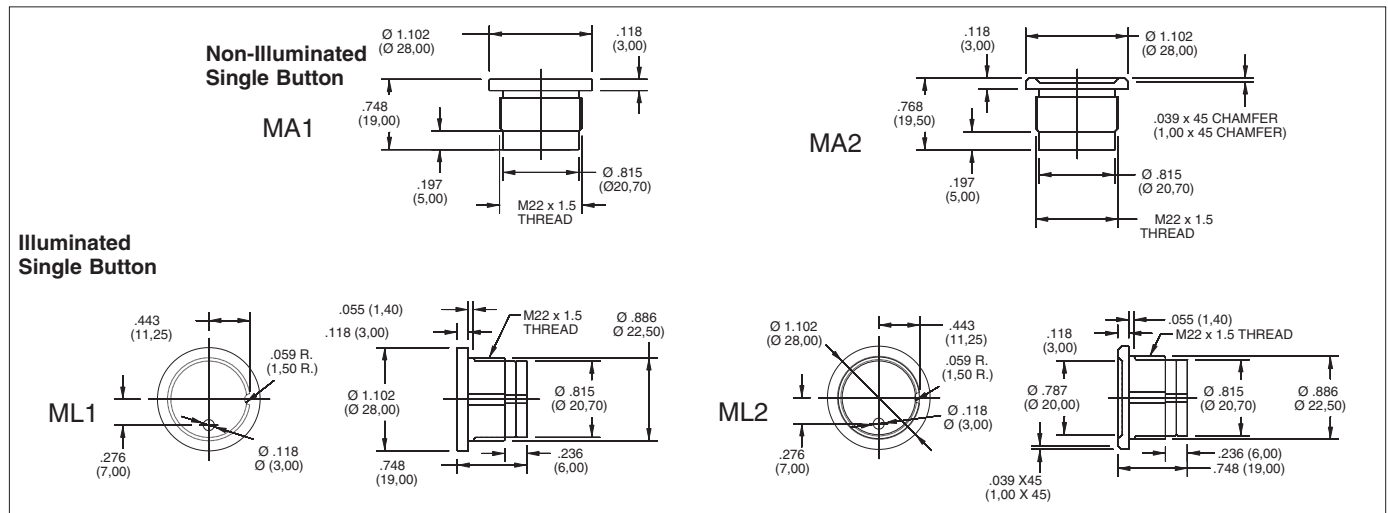
SERIES 37F
PIEZO Pushbutton Switches

FEATURES

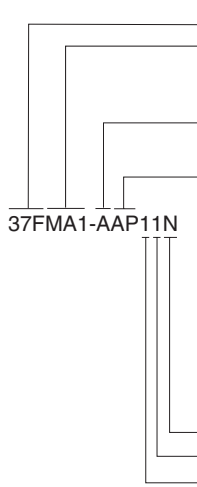
- Fully Sealed
- Virtually Indestructible
- Vandal Resistant
- Indoor and Outdoor Use



DIMENSIONS In inches (and millimeters)



ORDERING INFORMATION, 37FMA AND 37FML



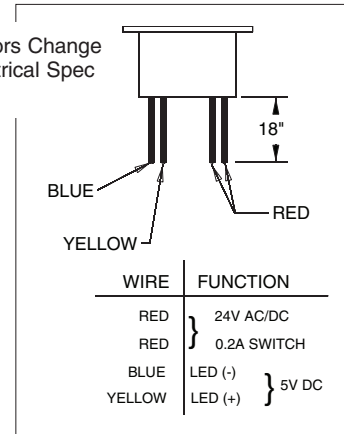
Grayhill Series
Housing Type
MA1, MA2
ML1*, ML2*

Circuitry
A - N.O., B - N.C.

Electrical Specifications
AW - V Max: 24V, I Max: 0.2 A AC/DC, Term: Red wire
BW - V Max: 24V, I Max: 0.2 A AC/DC, 150 Transient, Term: Purple wire
CW - V Max: 24V, I Max: 1.0 A AC/DC, 150 Transient Term: Orange/White wire
EW - V Max: 24V, I Max: 0.2 A AC/DC, Term: Green wire, N.C. Circuitry Option Only
AP - V. Max: 24V, I Max: 0.2 A AC/DC, Term: PIN
CP** - V Max: 24V, I Max: 1.0 A AC/DC, Term: PIN

Housing Color: N - Natural
Housing Material: 1 - Aluminum
LED: 1- Red, 2 - Green, 3 - Yellow, 4 - Red/Green

Wire Colors Change with Electrical Spec Option



*LED Option

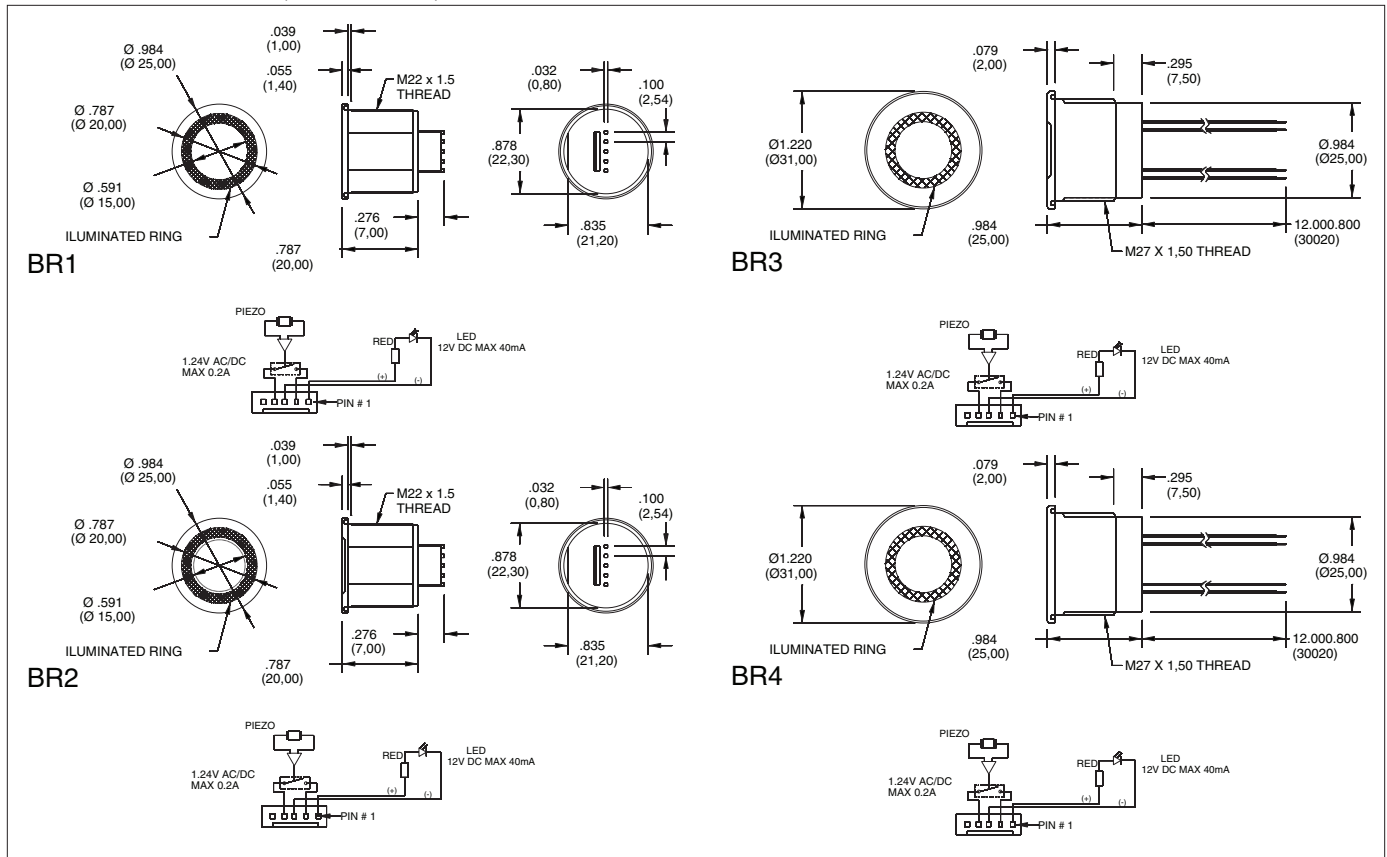
**This Option Not Available with LED Housing ML1 or ML2

***Only Available with Housing Types ML1 and ML2.

Special colors, S.S. and legends available. Contact Grayhill for more information.

Keyboards and Keypads

DIMENSIONS In inches (and millimeters)



ORDERING INFORMATION, 37FBR

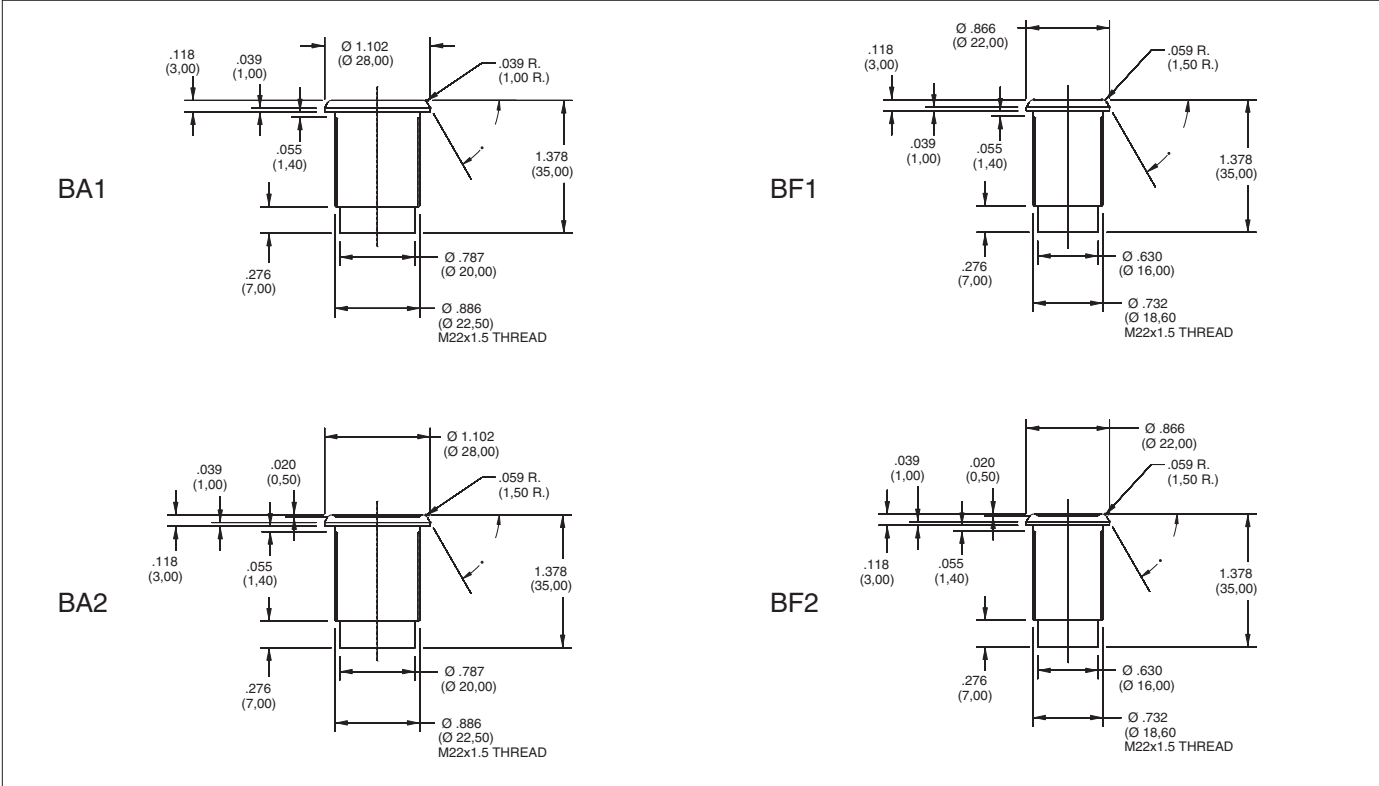
<p>37FBR1-CAAW1N</p>	<p>Grayhill Series Housing Type BR1, BR2 BR3, BR4 Switch Type C - Continuous, T - Toggle Circuitry A - N.O., B - N.C. Electrical Specification AW: 10-24V, .15A AC/DC, Wire: 1 - Black, 1 - Brown, 2 - Blue Housing Color: N - Natural Housing Material: 1 - Aluminum</p>	<p>Special colors, S.S. and legends available. Contact Grayhill for more information.</p>
----------------------	--	--

Available from your local Grayhill Component Distributor. For prices and discounts, contact a local Sales Office, an authorized local Distributor or Grayhill.

Special configurations and legends available. Contact Grayhill for more information.

Keyboards and Keypads

DIMENSIONS In inches (and millimeters)



Keyboards and Keypads

SPECIFICATIONS

Rated Voltage: 0-24V AC/DC
Rate Current: 0-24 amps.
Resistance "ON": <10 Ohms
Resistance "OFF": >5 megohms
Switch Capacitance: 25pF

Activation Force: 3-5N Typ.
Switch Action:
Momentary: 120 Msec. Pulse type
Continuous: Circuit is closed as long as switch is pressed, 30 sec. max.
Toggle: Switch changes position at each activation.

Lifecycle: >50 million
Operating Temp: -40°C- 85°C standard. (-40°C- 125°C upon request)
Storage Temp: -40°C- 125°C
EMI or RFI Effect: None
Protection System: IP68 according to IEC529
LED: 5Vdc, 1 max, 10 mA
Housing Material: Aluminum

ORDERING INFORMATION, 37FBA & 37FBF

<p>37FBA1-CAAW1N</p>	<p>Grayhill Series Housing Type BA1, BA2 BF1, BF2 Switch Type C - Continuous, T - Toggle Circuitry A - N.O., B - N.C. Electrical Specification AW: 10-24V, .15A AC/DC, Wire: 1 - Black, 1 - Brown, 2 - Blue</p>	<p>Housing Color: N - Natural Housing Material: 1 - Aluminum</p>	<p>Special colors, S.S. and legends available. Contact Grayhill for more information.</p>
----------------------	--	---	--

Available from your local Grayhill Component Distributor. For prices and discounts, contact a local Sales Office, an authorized local Distributor or Grayhill.