

SERIES 95C

6mm Square, Non-washable



FEATURES

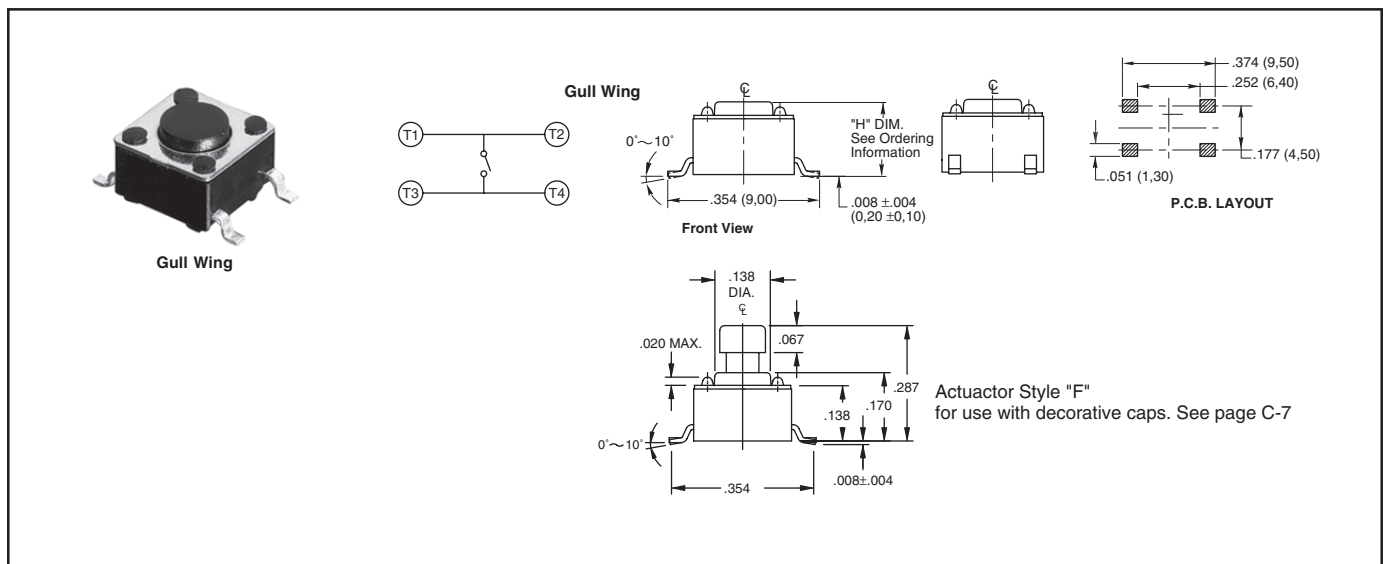
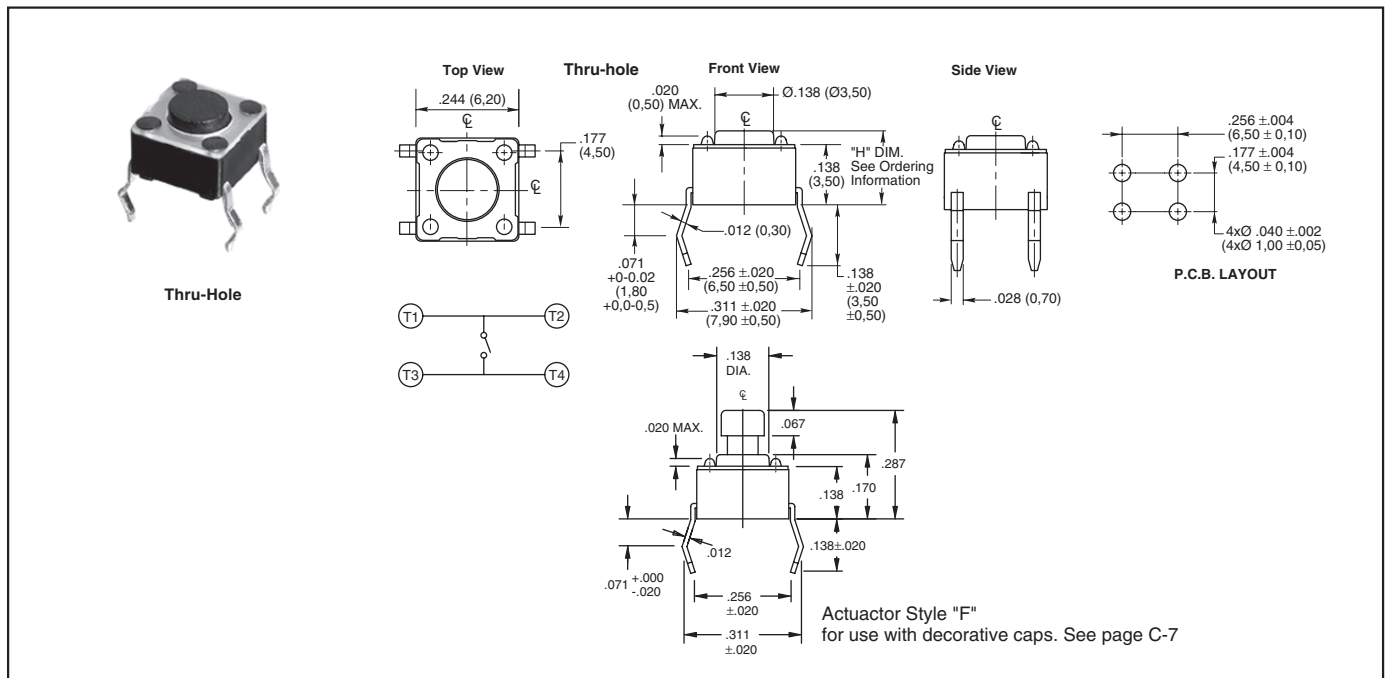
- Excellent Tactile Feedback
- Thru-hole, Gull Wings, and Right Angle Versions
- Surface Mount Versions
- Compatible with SMT Assembly Including Infrared and Vapor Phase

- Ultraminiature and Lightweight Structure Suitable for High Density Mounting

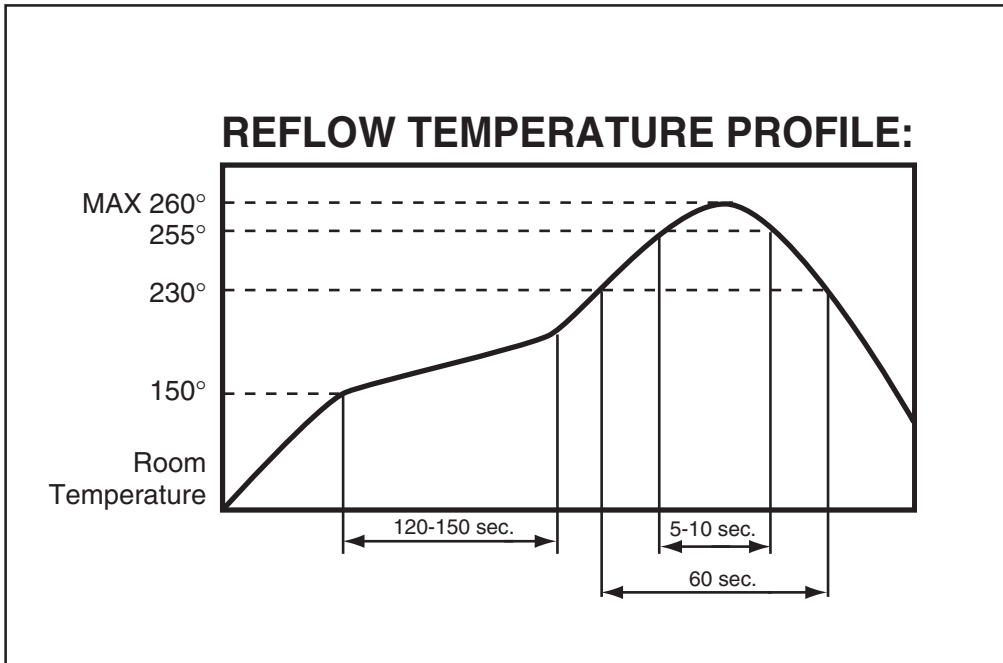
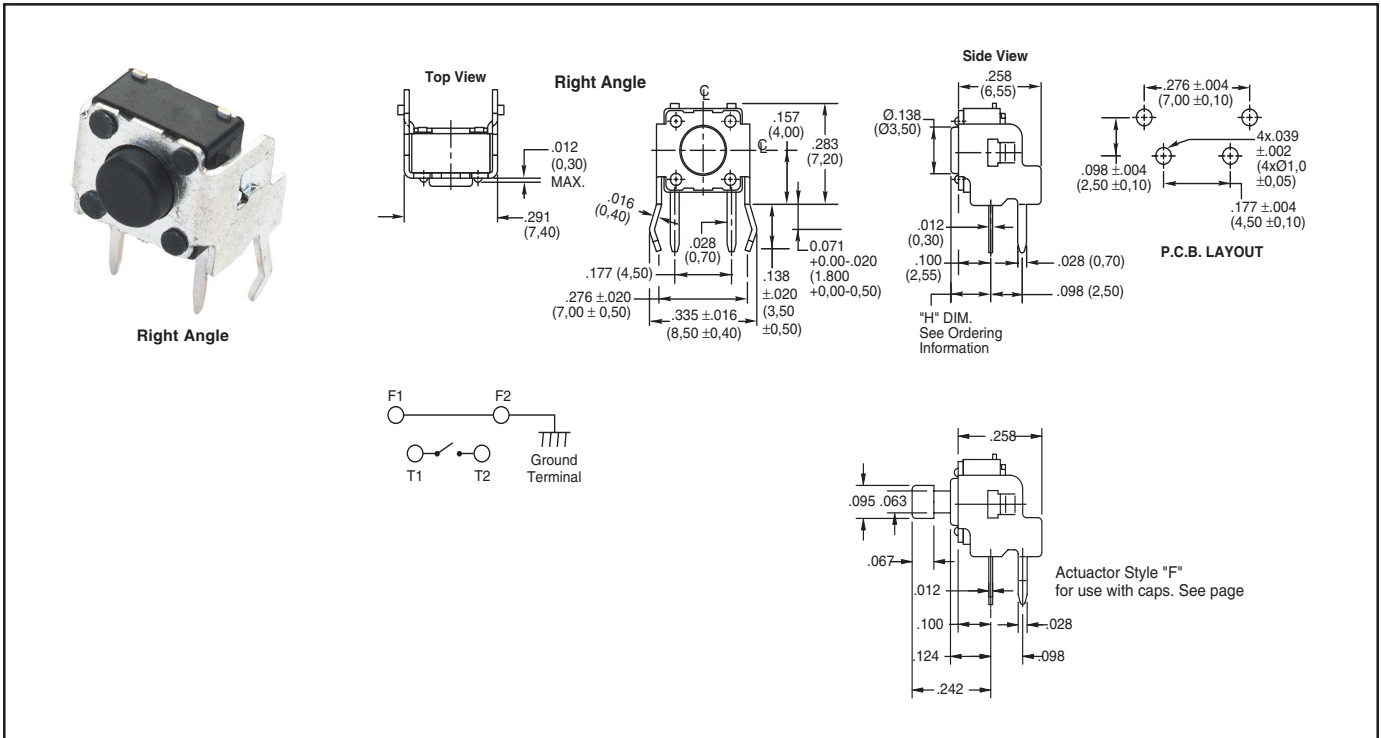
APPLICATIONS

Used in applications such as consumer electronics, audio equipment, PCs, VCRs, cable boxes, modems, communications equipment, controls, security and alarm equipment, and test and measurement equipment.

DIMENSIONS: Non-Washable Switches In inches (and millimeters)



DIMENSIONS: Non-Washable Switches In inches (and millimeters)



Tact Switches

ORDERING INFORMATION: Non-Washable Switches

<p>Thru-Hole and Gull Wing</p> <p>95C06A2GWRT</p>	<p>Series Size: 06 = 6mm Square Height ("H"): A = .169 (4,29), B = .197 (5,00), C = .276 (7,01), D = .374 (9,50), E = .512 (13,00) F = .287 (7,29) for use with decorative caps RoHS compliant Packaging: Blank = Tube or bulk, R = Tape and Reel (see pkg note) Terminal Style: Blank = Thru-hole, GW = Gull Wing Operating Force (Actuator Color): 2 = 100g (Black), 3 = 160g (Brown), 4 = 260g (Red), 5 = 320g (Orange), 6 = 520g (Yellow)</p>
<p>Right Angle</p> <p>95C06A2RAT</p>	<p>Series Size: 06 = 6mm Square Height ("H"): A = .124 (3,14), B = .152 (3,86), C = .230 (5,84), D = .329 (8,36), E = .467 (11,86) F = .242 (6,15) for use with decorative caps RoHS compliant Terminal Style: RA = Right Angle Operating Force (Actuator Color): 2 = 100g (Black), 3 = 160g (Brown), 4 = 260g (Red)</p>

Packaging Thru-Hole: Bulk, 1000 pcs/bag. Surface Mount: 77 pcs/tube, 1000 pcs/reel (.169" height), 900 pcs/reel (.197" height), 500 pcs/reel (.276" and .287" height), 380 pcs/reel (.374" height). Right Angle: Bulk, 1000 pcs/bag.

SPECIFICATIONS:

Non-Washable Switches

Materials

Base: UL94V-0 Nylon thermoplastic
Cover: Stainless steel, tin-plated steel
Actuator: UL94V-0 Nylon thermoplastic
Terminal: Brass with silver-plating
Contact: Stainless steel with silver-plating
Cap: Thermoplastic ABS

Electrical

Rating: 50mA, 12 Vdc
Life: 100g, 160g: 1,000,000 cycles;
 260g: 500,000 cycles
 320g, 520g, 300,000 cycles
Actuator Travel: .010" + .008"/ - .004"
Contact Resistance: 100 mΩ max.
Insulation Resistance: 100 MΩ min. at 500Vdc

Dielectric Strength: No dielectric breakdown after 250V for one minute

Contact Arrangement: single pole, single throw

Environmental

Operating Temp. Range: -25 to 70°C
Storage Temp. Range: -30 to 80°C
Mechanical Shock: MIL-STD-202F, Method 213B, Test Condition A. Gravity: 50G's (peak value), 11 msec. Direction and times: 6 sides and 3 times in each direction. High reliability.
Vibration: MIL-STD-202F, Method 201A. Passed 6 hours (2 hours in each) of three perpendicular planes at a cycle of 10-55-10Hz/minute. High reliability.

Soldering Process

Hand Soldering: Use a soldering iron of 30 watts, controlled at 350°C for 5 seconds maximum while applying solder.

Reflow Soldering (surface mount versions only): Peak temperature 260°C (500°F).

Wave Soldering: 260°C (500°F) maximum for 5 seconds subject to PCB .063 in. (1,6mm) thickness.

Available from your local Grayhill Component Distributor.

For prices and discounts, contact a local Sales Office, an authorized local distributor, or Grayhill.

DECORATIVE CAPS (for use with "F" style square actuators)

6mm SQUARE

figure 1

6mm ROUND

figure 2

PART NUMBER	SWITCH SIZE	SHAPE	COLOR	FIGURE
95CAP-000	6mm	SQUARE	YELLOW	1
95CAP-001	6mm	SQUARE	BLUE	1
95CAP-002	6mm	SQUARE	RED	1
95CAP-003	6mm	SQUARE	NATURAL	1
95CAP-004	6mm	SQUARE	BLACK	1
95CAP-005	6mm	SQUARE	GREEN	1
95CAP-006	6mm	SQUARE	ORANGE	1
95CAP-010	6mm	ROUND	YELLOW	2
95CAP-011	6mm	ROUND	BLUE	2
95CAP-012	6mm	ROUND	RED	2
95CAP-013	6mm	ROUND	NATURAL	2
95CAP-014	6mm	ROUND	BLACK	2
95CAP-015	6mm	ROUND	GREEN	2
95CAP-016	6mm	ROUND	ORANGE	2