

DESCRIPTION

The SRC Devices range of Vertical Liquid Level Sensors have been designed for use with many types of fluid to reliably indicate high or low levels depending on mounting position. They are manufactured with 10W or 70W (high power) contacts and are easily mounted from inside the tank. The complete range carry UL approval (pending).



FEATURES

- Compact Size
- Fast Fitting
- NO or NC by rotating 180 degrees
- 10W or 70W contacts
- Materials to suit most fluids
- Custom Design Available
- UL approved (pending)

SPECIFICATIONS

Parameters	Unit	Switch 01	Switch 02
Dimensions			
Length	mm	35	35
Width	mm	-	-
Height	mm	-	-
Wire Length	mm	250	250
Wire Color		Black and Red	Black and Red
Wire AWG	AWG	24	24
Specifications			
Contact Ratings			
Switching Voltage	VDC	200	200/300
Switching Current	A	0.5	1.5
Carry Current	A	1.5	2.5
Contact Rating	VA	10	70
Contact Resistance	Max. Ohms	0.10	0.10
Contact Material		Ru	Rh
Electrical Ratings			
Insulation Resistance	Ohms	1 x 10 ¹¹	1 x 10 ¹²
Operate Time	ms	0.5	0.8
Release Time	ms	0.2	0.1
Contact Life	Ops	1 x 10 ⁹	1 x 10 ⁹
Environmental Ratings			
Operating Temperature	°C	-20 to +85	-20 to +85
Storage temperature	°C	-20 to +85	-20 to +85
Vibration Resistance	Gs	20	20
Shock Resistance	Gs	30	30
Weight	g	9.7	49
Switch Type		DYAD	PR126



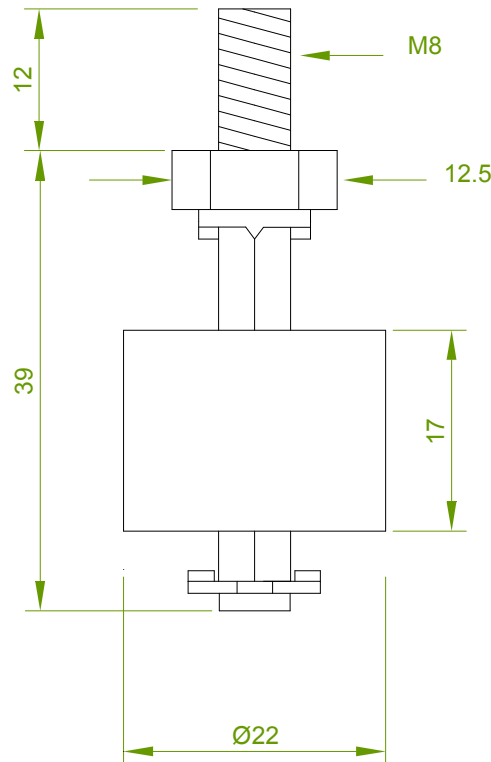
ORDERING INFORMATION

A complete part number is represented by the digits below

LS-V-X-X-X	
Series	Thread
Material	A = NPT
1 = PP	B = Metric
2 = ABS	Contact Rating
3 = 316 Stainless	01 = 10W contact
4 = PVDF	02 = 70W contact
5 = PPS	

MECHANICAL DIMENSIONS

Dimensions in mm



USA 1.866.SRC.8668 EUROPE 44.1225.421999 FAR EAST 886.2.2698.8422

WWW.SRCDEVICES.COM



Details provided on this datasheet are subject to change without notice