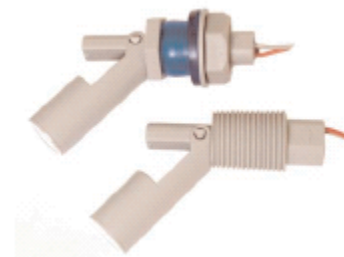


DESCRIPTION

The SRC Devices range of Horizontal Liquid Level Sensors have been designed for external mounting with either a compression seal or 1/2" NPT taper thread. They are manufactured in a range of materials to suit most commonly used fluids. All models are available with either 10W or 70W (high power) contacts. The switch action can be reversed by simply rotating the device through 180 degrees. The complete range UL approval (pending).



FEATURES

- External Mount
- Fast Fitting
- NO or NC by rotating 180 degrees
- 10W or 70W contacts
- Materials to suit most fluids
- Ideal when internal access is limited
- UL approved (pending)

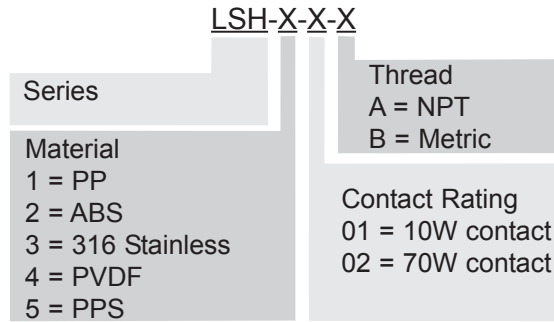
SPECIFICATIONS

Parameters	Unit	Switch 01	Switch 02
Dimensions			
Length	mm	88	88
Width	mm	-	-
Height	mm	18	18
Body Color		Black/White	Black/White
Wire Length	mm	300	300
Wire Color		Black	Black
Wire AWG	AWG	24	24
Specifications			
Contact Ratings			
Switching Voltage	VDC	200	200/300
Switching Current	A	0.5	1.5
Carry Current	A	1.5	2.5
Contact Rating	VA	10	70
Contact Resistance	Max. Ohms	0.10	0.10
Contact Material		Ru	Rh
Electrical Ratings			
Insulation Resistance	Ohms	1 x 10 ¹¹	1 x 10 ¹¹
Operate Time	ms	0.5	0.8
Release Time	ms	0.2	0.1
Contact Life	Ops	1 x 10 ⁹	1 x 10 ⁹
Environmental Ratings			
Operating Temperature	°C	-20 to +85	-20 to +85
Storage temperature	°C	-20 to +85	-20 to +85
Vibration Resistance	Gs	20	20
Shock Resistance	Gs	30	30
Weight	g	22	49
Switch Type		DYAD	PR126



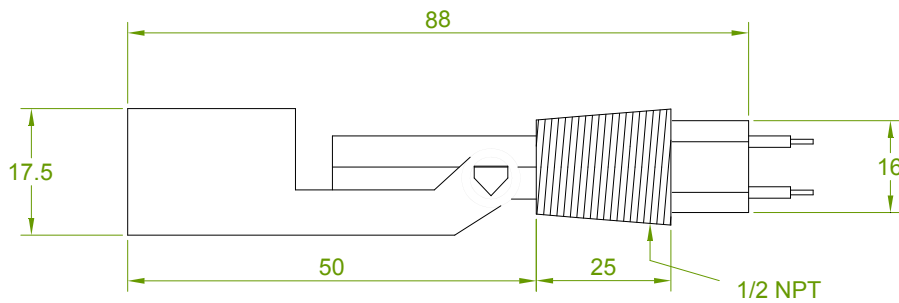
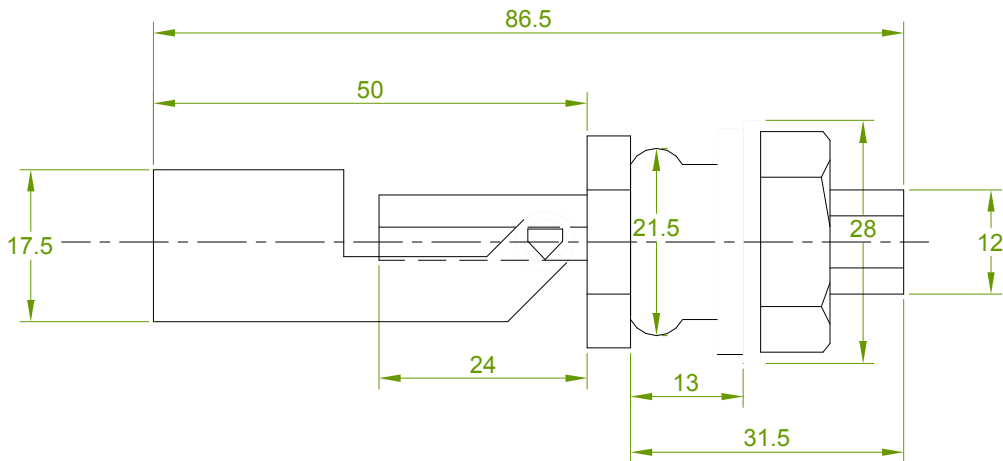
ORDERING INFORMATION

A complete part number is represented by the digits below



MECHANICAL DIMENSIONS

Dimensions in mm



USA 1.866.SRC.8668 EUROPE 44.1225.421999 FAR EAST 886.2.2698.8422

WWW.SRCDEVICES.COM

