

# 41009/41010 SERIES ALUMINUM CONNECTOR/CLAMP ASSEMBLIES

## CA210/CA310 MOLDED PLASTIC CABLE ASSEMBLIES



CONNECTOR/CLAMP ASSEMBLIES AND CABLE ASSEMBLIES FOR USE WITH 5/8 or M16 VRS (2 PIN) AND DIGITAL MAGNETIC (3 PIN) SPEED SENSORS THAT REQUIRE AN MS OR 97 SERIES MATING CONNECTOR.

### CONNECTOR/CLAMP ASSEMBLIES

OPER. TEMP. RANGE: -67 to 257F (-55 to 125C)

MAX. CABLE O.D.: .312" (8mm)

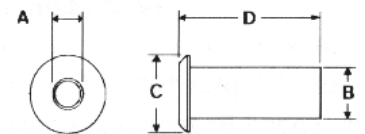
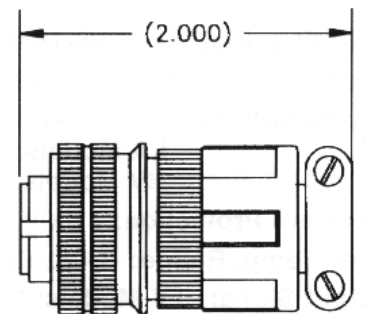
MATERIAL: Cadmium Plated Aluminum

WEIGHT: 1.0 oz. (28 gr.)

MODEL	# SOCKETS	CONNECTOR	CLAMP	USE WITH
41010	2	MS3106A - 10SL-4S	MS3057-4A	3010, 3030, 3040
41010VR*	2	MS3106A - 10SL-4S	AN3057-4	
41009	3	MS3106A - 10SL-3S	MS3057-4A	58426/HV, NZH400
41009VR*	3	MS3106A - 10SL-3S	AN3057-4	

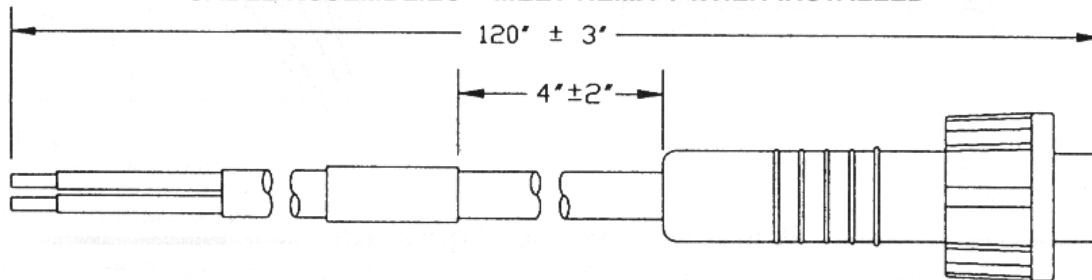
\*VR units are recommended for high vibration applications

PART #	DESCRIPTION	I.D.	USE WITH
603822	Rubber Bushing for Protection of Cable	.22" (5.5mm)	41010, 41009 ONLY



A = .22"      C = .50"  
B = .30"      D = 2.75"

### CABLE ASSEMBLIES – MEET NEMA 4 WHEN INSTALLED



CABLE ASSEMBLY (Typical)      WEIGHT: 4.0 oz. (112 gr.)

MODEL	CABLE DESCRIPTION	OPER. TEMP. RANGE	USE WITH
CA210	Shielded 2 COND AWG22	-40 to 220F (-40 to 105C)	3010, 3030, 3040
CA310	Shielded 3 COND AWG22	-40 to 220F (-40 to 105C)	58426/HV/MZA101 DZH400 / NZH400N/P

} See Notes

Note 1) To prevent damage for 58426, 58426HVA and MZA101, use white lead for output, black for common.

Note 2) To prevent damage for DZH400, NZH400N and NZH400P, use black lead for output, white for common.

*Incorrect connection will void warranty.*

