

SERIES 34E
Sealed Surface Mount Toggle Switches

FEATURES

- Save Space and Weight
- SPDT Circuitry
- Choice of Actuators and Terminations
- Sealed per IP67



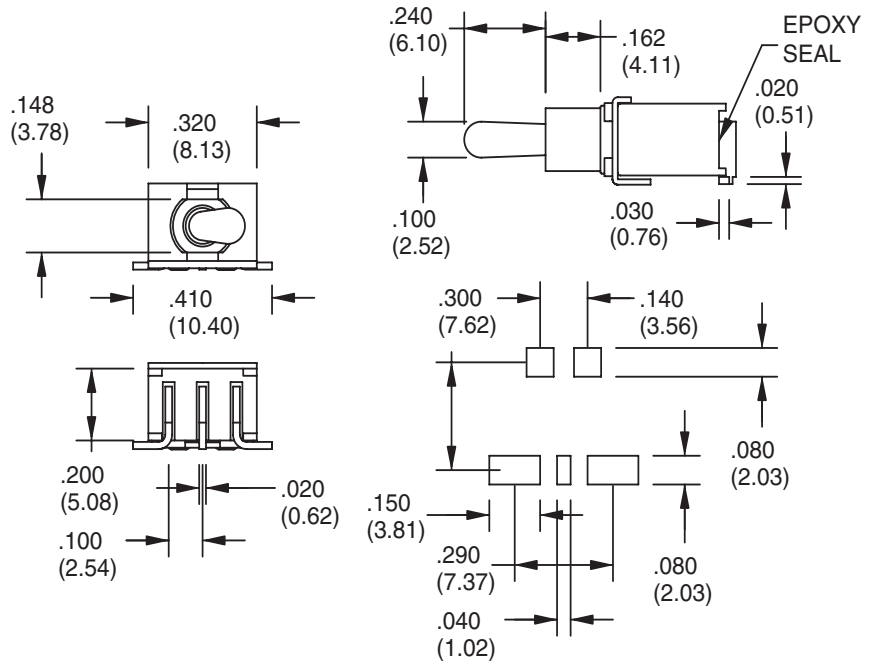
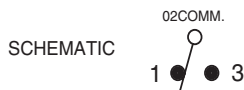
MODELS In inches (and millimeters)

M6

SPDT

MODEL NO.	SWITCH POSITION		
WMSP1	ON	NONE	ON
WMSP2	ON	NONE	(ON)
WMSP3	ON	OFF	ON
WMSP4	(ON)	OFF	(ON)
WMSP5	ON	OFF	(ON)
TERM. COMM.	2-3	OPEN	2-1

()=MOMENTARY

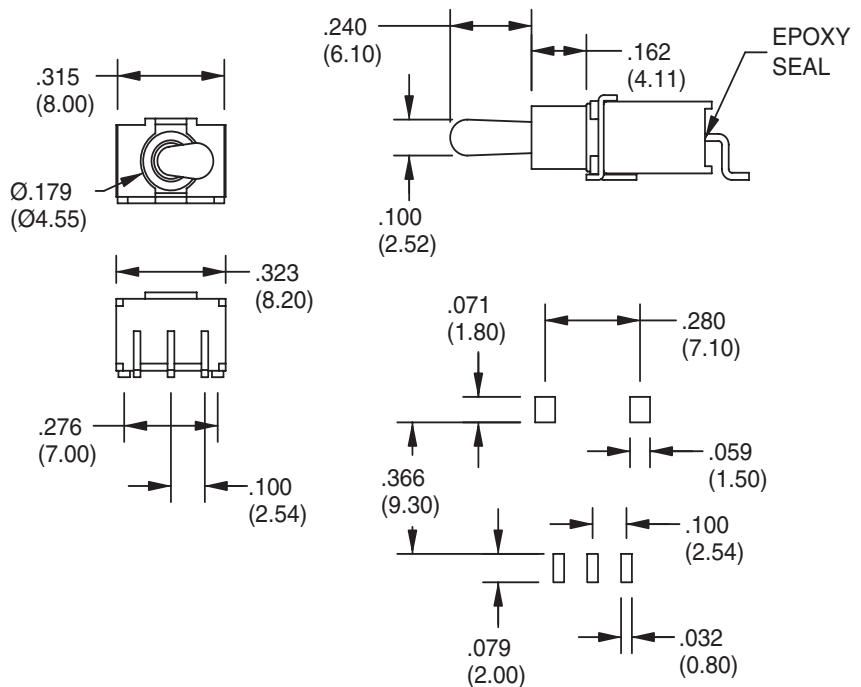
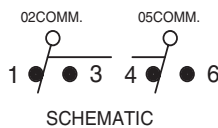


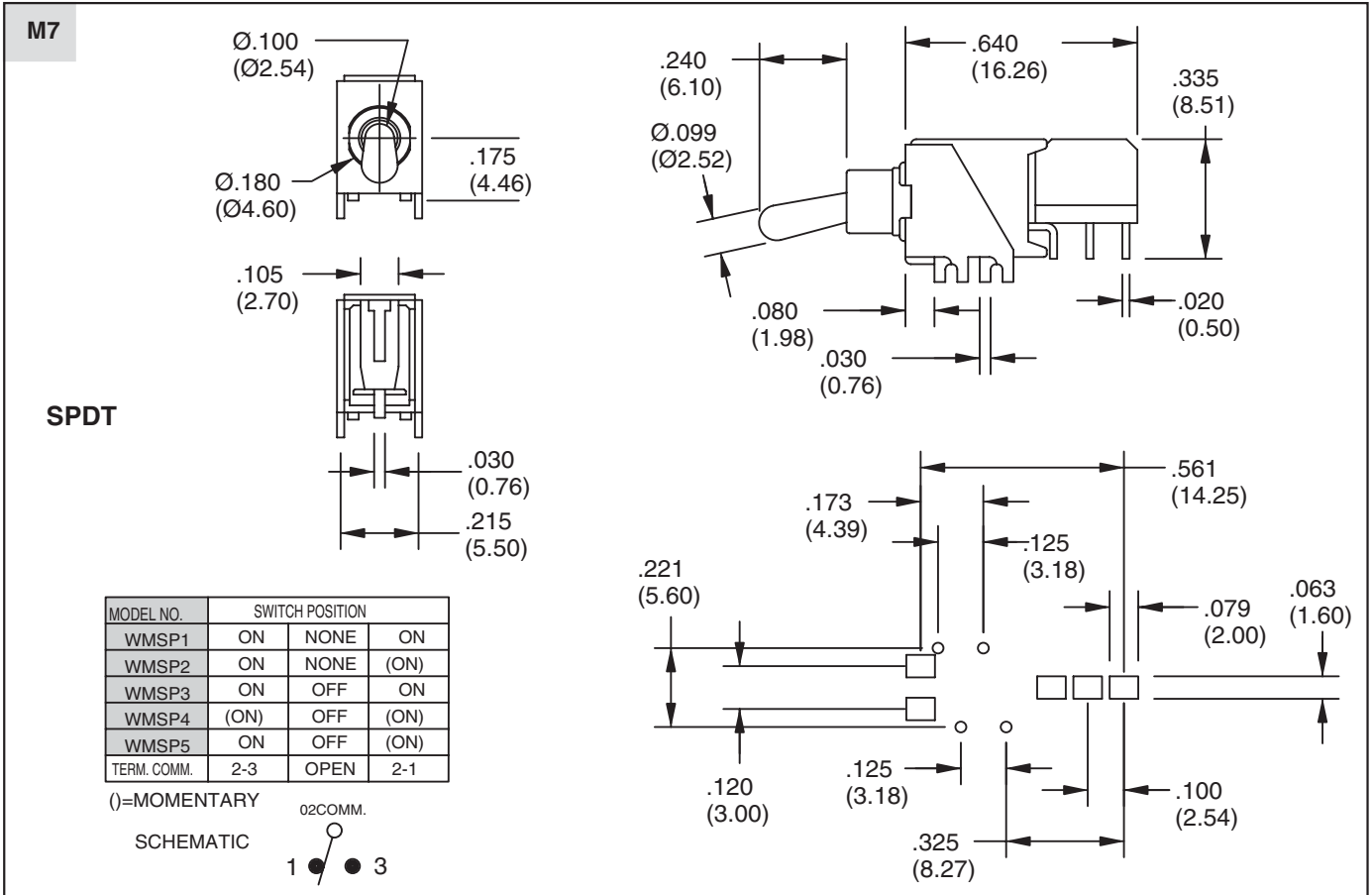
S6

SPDT

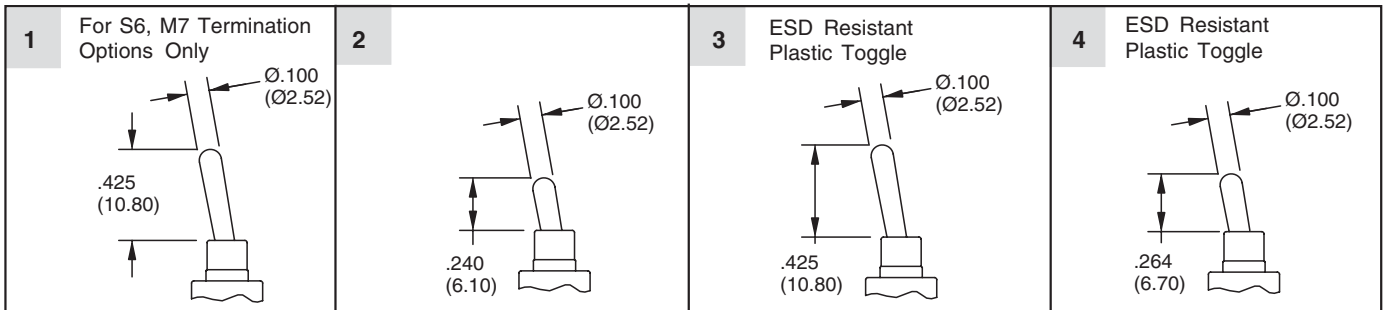
MODEL NO.	SWITCH POSITION		
WMSP1	ON	NONE	ON
WMSP2	ON	NONE	(ON)
WMSP3	ON	OFF	ON
WMSP4	(ON)	OFF	(ON)
WMSP5	ON	OFF	(ON)
TERM. COMM.	2-3	OPEN	2-1

()=MOMENTARY

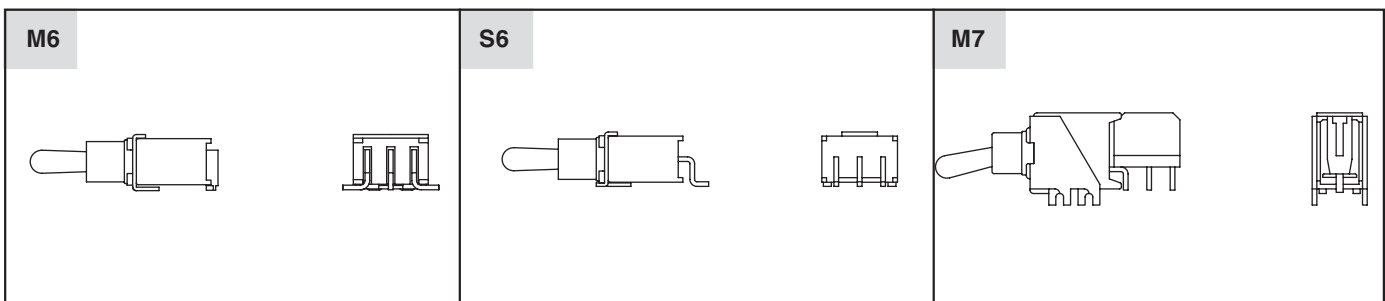




ACTUATOR OPTIONS In inches (and millimeters)

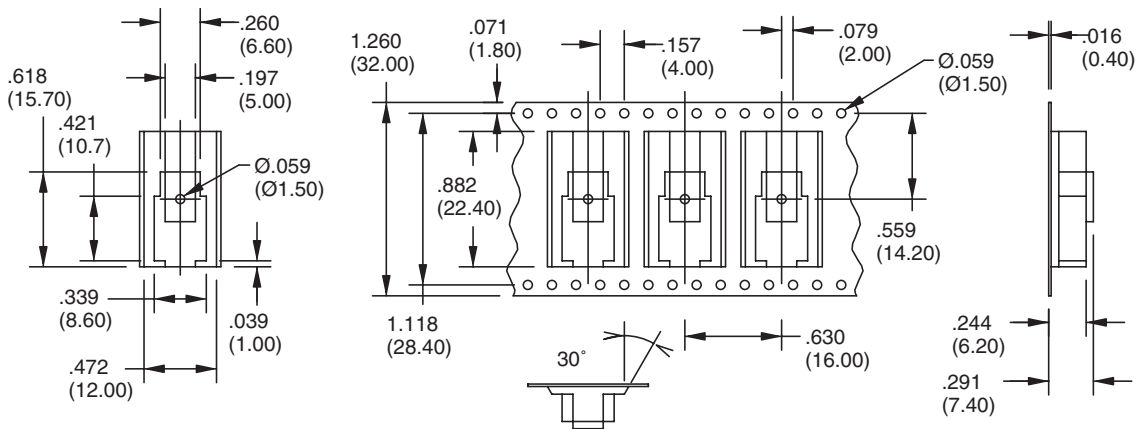


TERMINATION OPTIONS

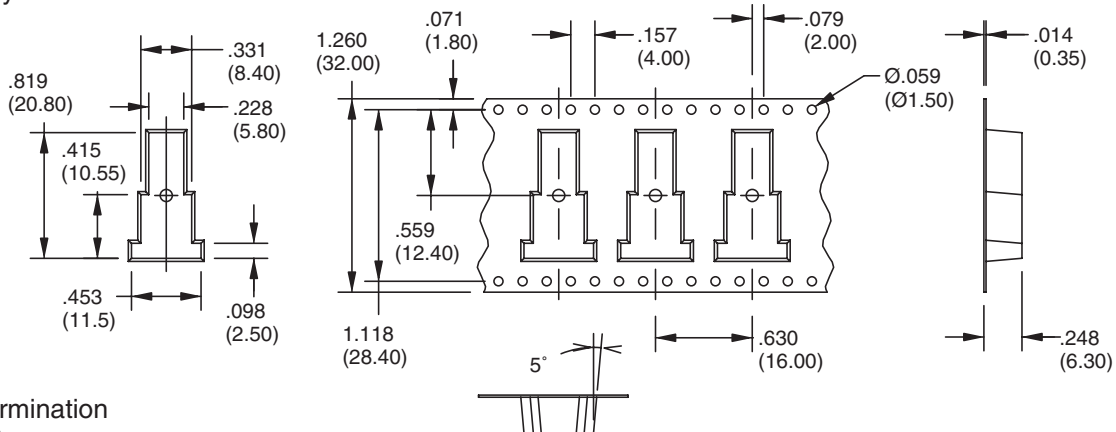


TAPE AND REEL PACKAGING In inches (and millimeters)

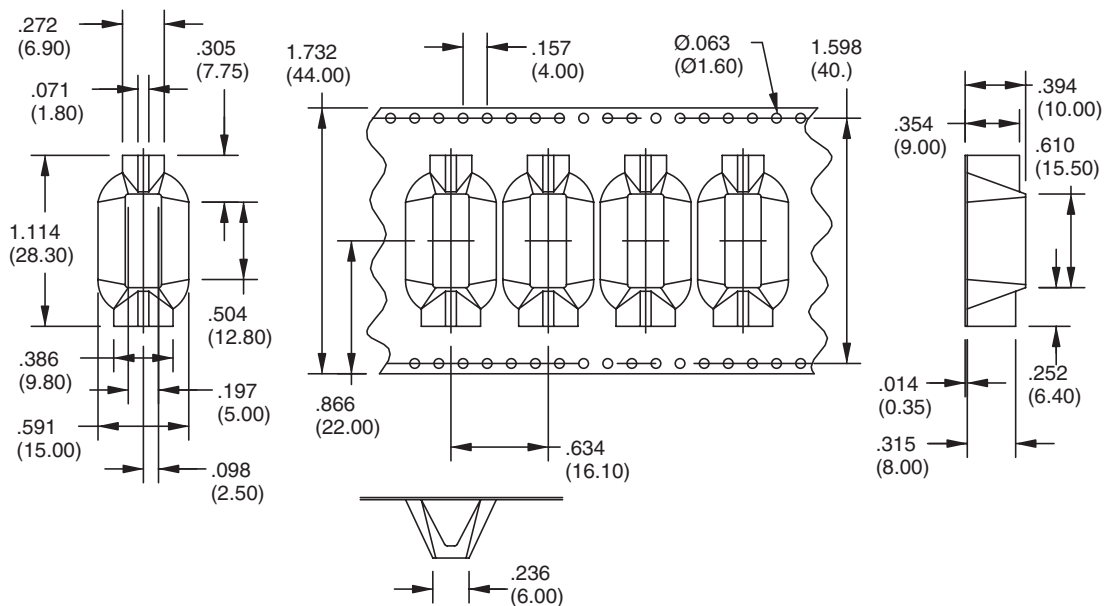
For M6 Termination
Option Only



For S6 Termination
Option Only



For M7 Termination
Option Only



SPECIFICATIONS**RATINGS**

Contact Rating: 0.4 VA max. @ 20V max.
(AC or DC)

Mechanical and Electrical Life: 30,000
make-and-break cycles at full load

Contact Resistance: 20 milliohms max. typ.
initial @ 2-4 VDC, 100 mA

Insulation Resistance: 1,000 megaohms
minimum

Dielectric Strength: 1,500 V RMS @ sea
level

Operating Temperature: -30°C to 85°C

MATERIALS

Case and Bushings: Glass-filled nylon 4/6,

flame retardant, heat stabilized (UL94V-0)

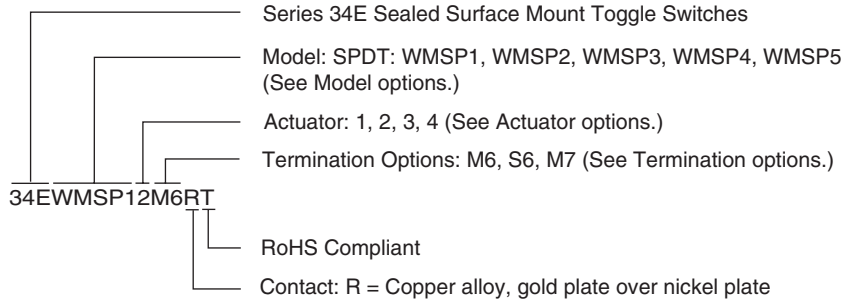
Actuator: Brass, chrome plated

Contacts: Copper alloy, gold plate over
nickel plate

Terminals: Copper alloy, tin plate over nickel
plate

Terminal Seal: Epoxy

Tape and Reel: 500 pcs/per reel

ORDERING INFORMATION

Available from your local Grayhill Component Distributor. For prices and discounts, contact a local Sales Office, an authorized local Distributor or Grayhill.