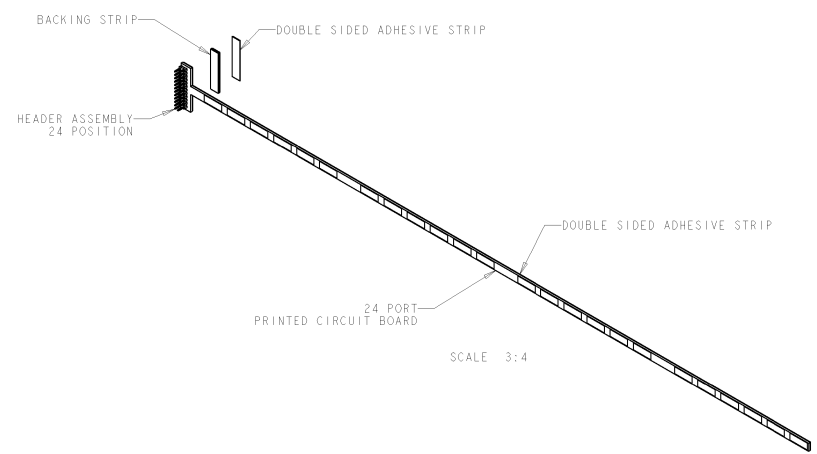
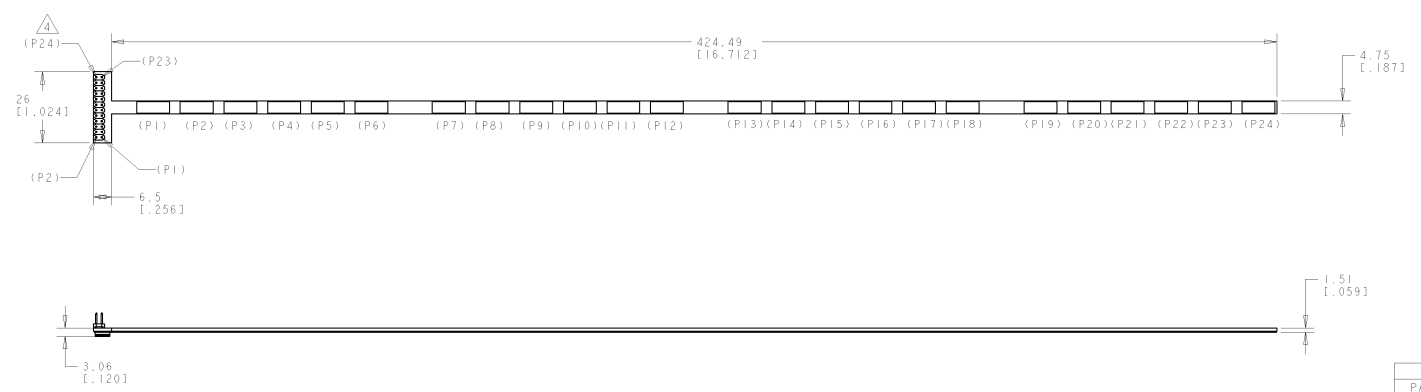


THIS DRAWING IS UNPUBLISHED. RELEASED FOR PUBLICATION BY TICO ELECTRONICS CORPORATION. ALL RIGHTS RESERVED.

REV	DATE	BY	CHKD	DESCRIPTION
A	28SEP2007	GG	SH	RLSD: NRP NSD07-098



- △ MATERIAL:
PRINTED CIRCUIT BOARD - LAMINATED PLASTIC FR-4, 1.13 [1.04] THICK.
ADHESIVE TAPE - MYLAR, 0.25 [1.01] THICK.
BACKING STRIP ASSEMBLY - FR-4 WITH MYLAR, 1.17 [1.04] THICK.
HOUSING - THERMOPLASTIC, UL94V-0, BLACK.
CONTACTS - COPPER ALLOY.
- △ ALL DIMENSIONS SHOWN ARE NOMINAL.
- 3. PARENTHESIS () ARE FOR REFERENCE ONLY. NOT SHOWN ON BOARD.
- △ (P_) CALLOUTS ARE FOR PIN TO PAD REFERENCE ONLY.



DIMENSIONS: MM (INCHES)		DIMENSIONS UNLESS OTHERWISE SPECIFIED: DIMENSIONS UNLESS OTHERWISE SPECIFIED: DIMENSIONS UNLESS OTHERWISE SPECIFIED:	DIMENSIONS UNLESS OTHERWISE SPECIFIED: DIMENSIONS UNLESS OTHERWISE SPECIFIED: DIMENSIONS UNLESS OTHERWISE SPECIFIED:	DIMENSIONS UNLESS OTHERWISE SPECIFIED: DIMENSIONS UNLESS OTHERWISE SPECIFIED: DIMENSIONS UNLESS OTHERWISE SPECIFIED:
DIMENSIONS UNLESS OTHERWISE SPECIFIED: DIMENSIONS UNLESS OTHERWISE SPECIFIED: DIMENSIONS UNLESS OTHERWISE SPECIFIED:		DIMENSIONS UNLESS OTHERWISE SPECIFIED: DIMENSIONS UNLESS OTHERWISE SPECIFIED: DIMENSIONS UNLESS OTHERWISE SPECIFIED:	DIMENSIONS UNLESS OTHERWISE SPECIFIED: DIMENSIONS UNLESS OTHERWISE SPECIFIED: DIMENSIONS UNLESS OTHERWISE SPECIFIED:	DIMENSIONS UNLESS OTHERWISE SPECIFIED: DIMENSIONS UNLESS OTHERWISE SPECIFIED: DIMENSIONS UNLESS OTHERWISE SPECIFIED:

1933517-1
PART NUMBER

tyco
Electronics
Tyco Electronics
Harrisburg, PA 17105-3400

AMPTRAC SENSOR, PCB, 24 PORT

SIZE CASE CODE DRAWING NO
A 2100779 C-1933517
SCALE 2:1 SHEET 1 OF 1 REV A