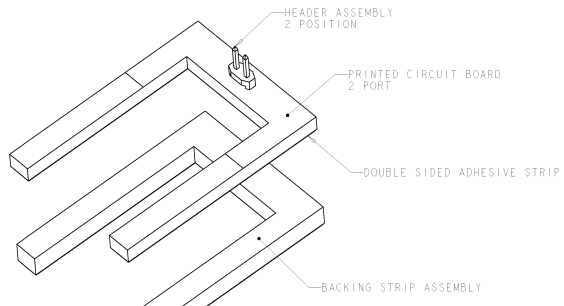


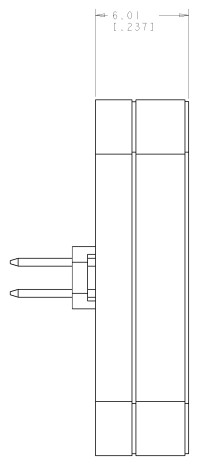
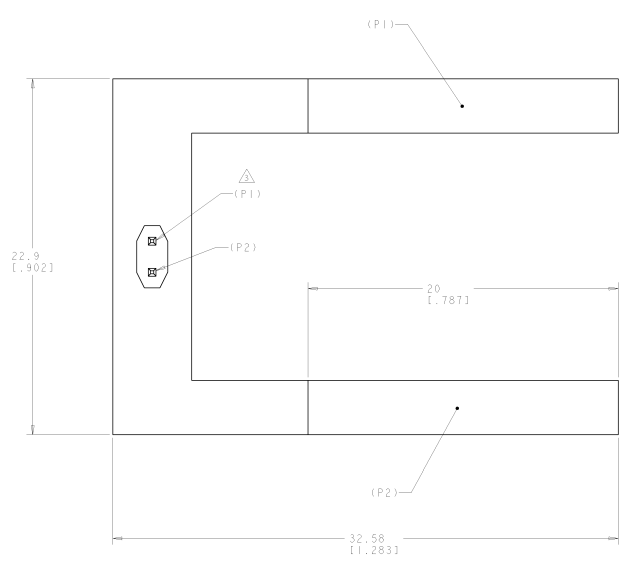
8	7	6	5	4	3	2	1
DATE MANUFACTURED	REVISED FOR FUNCTIONALITY						
00	00						

REV. NO.		DESCRIPTION	DATE	BY	CHKD	APPD
1	00					
2	01	REV: 1600-0018-05				



SCALE 4:1

- △ MATERIAL:
 - PRINTED CIRCUIT BOARD - LAMINATED PLASTIC FR-4, 2.36 [0.093] THICK.
 - ADHESIVE STRIP - MYLAR, 0.38 [0.015] THICK.
 - BACKING STRIP ASSEMBLY - FR-4, 3.93 [0.155] THICK.
 - HOUSING - THERMOPLASTIC, UL94V-0, BLACK.
 - CONTACTS - COPPER ALLOY.
- △ ALL DIMENSIONS SHOWN ARE NOMINAL.
- △ (P-1) CALLOUTS ARE FOR PIN TO PAD REFERENCE ONLY.



1435818-1
PART NUMBER

APPROVED FOR MANUFACTURE DATE: 08/11/2005 BY: [Signature]		APPROVED FOR FUNCTIONALITY DATE: 08/11/2005 BY: [Signature]		APPROVED FOR MANUFACTURE DATE: 08/11/2005 BY: [Signature]		APPROVED FOR FUNCTIONALITY DATE: 08/11/2005 BY: [Signature]	
MATERIAL: △ FINISH: △				CUSTOMER DRAWING:			

TITLE: ASSEMBLY, AMPTRAC SENSOR STRIP, 2 PORT, U-SHAPED PART: 1435818-1 REV: 01 DATE: 08/11/2005 BY: [Signature]	DRAWN BY: [Signature] CHECKED BY: [Signature] DATE: 08/11/2005
--	--