

# HOA696X/697X

## Transmissive Optoschmitt Sensor

### FEATURES

- Direct TTL interface
- Buffer or inverting logic available
- Three device output options
- Four mounting configurations
- Choice of detector aperture
- 0.125 in.(3.18 mm) slot width

### DESCRIPTION

The HOA696X/697X series consists of an infrared emitting diode facing an Optoschmitt detector encased in a black thermoplastic housing. Detector switching takes place whenever an opaque object passes through the slot between emitter and detector. The photodetector consists of a photodiode, amplifier, voltage regulator, Schmitt trigger and various output configurations. The user can choose from available options: (1) detector aperture, (2) mounting tab configuration, (3) detector output configuration, and (4) housing material.

The HOA696X series utilizes an IR transmissive polysulfone housing which features smooth optical faces without external aperture openings; this feature is desirable when aperture blockage from airborne contaminants is a possibility.

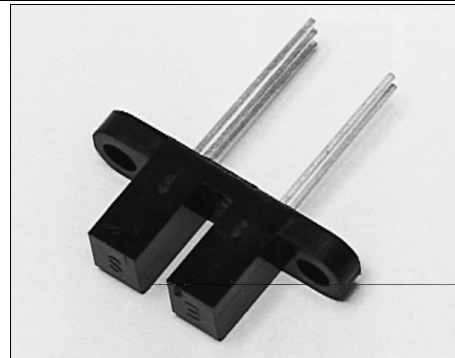
The HOA697X series employs an opaque polysulfone housing with aperture openings for use in applications in which maximum rejection of ambient light is important, and situations in which maximum position resolution is desired. The HOA696X/697X series employs plastic molded components. For additional component information see SEP8506 and SDP8XX4.

Housing material is polysulfone. Housings are soluble in chlorinated hydrocarbons and ketones. Recommended cleaning agents are methanol and isopropanol.

#### Device Polarity:

- Buffer - Output is LO when optical path is blocked.
- Inverter - Output is HI when optical path is blocked.

To specify the complete product characteristics, see PART NUMBER GUIDE.

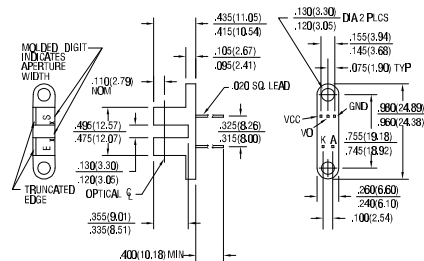


INFRA-32.TIF

### OUTLINE DIMENSIONS in inches (mm)

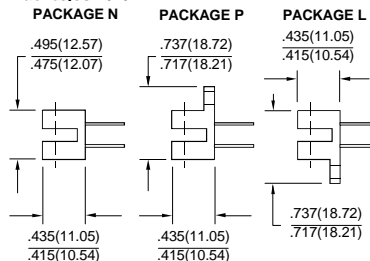
Tolerance 3 plc decimals ±0.010(0.25)  
2 plc decimals ±0.020(0.51)

### Package T



DIM\_066a.cdr

### Packages N/P/L



DIM\_41b.dsd

# HOA696X/697X

## Transmissive Optoschmitt Sensor

### Totem-Pole Output

#### ELECTRICAL CHARACTERISTICS (-40°C to +70°C unless otherwise noted)

PARAMETER	SYMBOL	MIN	TYP	MAX	UNITS	TEST CONDITIONS
<b>IR EMITTER</b>						
Forward Voltage	V <sub>F</sub>			1.6	V	I <sub>F</sub> =20 mA, T <sub>A</sub> =25°C
Reverse Leakage Current	I <sub>R</sub>			10	μA	V <sub>R</sub> =3 V, T <sub>A</sub> =25°C
<b>DETECTOR</b>						
Operating Supply Voltage	V <sub>CC</sub>	4.5		7.0	V	T <sub>A</sub> =25°C
Low Level Supply Current	I <sub>CC</sub> L			15	mA	V <sub>CC</sub> =5.25 V
High Level Supply Current	I <sub>CC</sub> H			15	mA	V <sub>CC</sub> =5.25 V
Low Level Output Voltage	V <sub>OL</sub>				V	V <sub>CC</sub> =4.75 V, I <sub>OL</sub> =12.8 mA
HOA6960/6970				0.4		I <sub>F</sub> =0 mA
HOA6962/6972				0.4		I <sub>F</sub> =15 mA
High Level Output Voltage	V <sub>OH</sub>				V	V <sub>CC</sub> =4.75 V, I <sub>OH</sub> =800 μA,
HOA6960/6970		2.4				I <sub>F</sub> =15 mA
HOA6962/6972		2.4				I <sub>F</sub> =0 mA
Short Circuit Output Current	I <sub>OS</sub>				mA	V <sub>CC</sub> =5.25 V, Output=GND
HOA6960/6970		-20		-100		I <sub>F</sub> =15 mA
HOA6962/6972		-20		-100		I <sub>F</sub> =0 mA
Hysteresis <sup>(2)</sup>	HYST		50		%	
Propagation Delay, Low-High, High-Low	t <sub>PLH</sub> , t <sub>PHL</sub>		5		μs	V <sub>CC</sub> =5 V, I <sub>F</sub> =0 or 15 mA
						R <sub>L</sub> =8 TTL Loads
Output Rise Time, Output Fall Time	t <sub>r</sub> , t <sub>f</sub>		70		ns	V <sub>CC</sub> =5 V, I <sub>F</sub> =0 or 15 mA
						R <sub>L</sub> =8 TTL Loads
<b>COUPLED CHARACTERISTICS</b>						
IRET Trigger Current	I <sub>FT</sub>			15	mA	V <sub>CC</sub> =5 V

#### Notes

1. It is recommended that a bypass capacitor, 0.1 μF typical, be added between V<sub>CC</sub> and GND near the device in order to stabilize power supply line.
2. Hysteresis is defined as the difference between the operating and release threshold intensities, expressed as a percentage of the operate threshold intensity.

#### ABSOLUTE MAXIMUM RATINGS

(25°C Free-Air Temperature unless otherwise noted)

Operating Temperature Range	-40°C to 70°C
Storage Temperature Range	-40°C to 85°C
Soldering Temperature (5 sec)	240°C

#### IR EMITTER

Power Dissipation	100 mW <sup>(1)</sup>
Reverse Voltage	3 V
Continuous Forward Current	50 mA

#### DETECTOR

Supply Voltage:	
Totem-Pole Output	7 V <sup>(2)</sup>
All Others	12 V <sup>(2)</sup>
Duration of Output	
Short to V <sub>CC</sub> or Ground	1.0 sec.

#### Notes

1. Derate linearly at 0.78 mW/°C above 25°C.
2. Derate linearly from 25°C to 5.5 V at 70°C.

Honeywell reserves the right to make changes in order to improve design and supply the best products possible.

# Honeywell

377

# HOA696X/697X

## Transmissive Optoschmitt Sensor Open-Collector Output

### ELECTRICAL CHARACTERISTICS (-40°C to +70°C unless otherwise noted)

PARAMETER	SYMBOL	MIN	TYP	MAX	UNITS	TEST CONDITIONS
<b>IR EMITTER</b>						
Forward Voltage	V <sub>F</sub>		1.6		V	I <sub>F</sub> =20 mA, T <sub>A</sub> =25°C
Reverse Leakage Current	I <sub>R</sub>		10		μA	V <sub>R</sub> =3 V, T <sub>A</sub> =25°C
<b>DETECTOR</b>						
Operating Supply Voltage	V <sub>CC</sub>	4.5	12		V	T <sub>A</sub> =25°C
Low Level Supply Current	I <sub>CC</sub> L		15		mA	V <sub>CC</sub> =5.25 V
High Level Supply Current	I <sub>CC</sub> H		15		mA	V <sub>CC</sub> =5.25 V
Low Level Output Voltage	V <sub>OL</sub>				V	V <sub>CC</sub> =4.75 V, I <sub>OL</sub> =12.8 mA
HOA6961/6971			0.4			I <sub>F</sub> =0 mA
HOA6963/6973			0.4			I <sub>F</sub> =15 mA
High Level Output Current	I <sub>OH</sub>				μA	V <sub>CC</sub> =4.75 V V <sub>OH</sub> =30 V
HOA6961/6971			100			I <sub>F</sub> =15 mA
HOA6963/6973			100			I <sub>F</sub> =0 mA
Hysteresis <sup>(2)</sup>	HYST		50		%	
Propagation Delay, Low-High, High-Low	t <sub>PLH</sub> , t <sub>PHL</sub>		5		μs	V <sub>CC</sub> =5 V, I <sub>F</sub> =0 or 15 mA R <sub>L</sub> =390 Ω
Output Rise Time, Output Fall Time	t <sub>r</sub> , t <sub>f</sub>		70		ns	V <sub>CC</sub> =5 V, I <sub>F</sub> =0 or 15 mA R <sub>L</sub> =390 Ω
<b>COUPLED CHARACTERISTICS</b>						
IRET Trigger Current	I <sub>FT</sub>		15		mA	V <sub>CC</sub> =5 V

#### Notes

1. It is recommended that a bypass capacitor, 0.1 μF typical, be added between V<sub>CC</sub> and GND near the device in order to stabilize power supply line.
2. Hysteresis is defined as the difference between the operating and release threshold intensities, expressed as a percentage of the operate threshold intensity.

### ABSOLUTE MAXIMUM RATINGS

(25°C Free-Air Temperature unless otherwise noted)

Operating Temperature Range	-40°C to 70°C
Storage Temperature Range	-40°C to 70°C
Soldering Temperature (5 sec)	240°C

#### IR EMITTER

Power Dissipation	100 mW <sup>(1)</sup>
Reverse Voltage	3 V
Continuous Forward Current	50 mA

#### DETECTOR

Supply Voltage:	
Totem-Pole Output	7 V <sup>(2)</sup>
All Others	12 V <sup>(2)</sup>
Duration of Output	
Short to V <sub>CC</sub> or Ground	1.0 sec.
Applied Output Voltage	35 V

#### Notes

1. Derate linearly at 0.78 mW/°C above 25°C.
2. Derate linearly from 25°C to 5.5 V at 70°C.

# HOA696X/697X

Transmissive Optoschmitt Sensor  
10 kOhm Pull-Up Output

## ELECTRICAL CHARACTERISTICS (-40°C to +70°C unless otherwise noted)

PARAMETER	SYMBOL	MIN	TYP	MAX	UNITS	TEST CONDITIONS
<b>IR EMITTER</b>						
Forward Voltage	V <sub>F</sub>		1.6		V	I <sub>F</sub> =20 mA, T <sub>A</sub> =25°C
Reverse Leakage Current	I <sub>R</sub>		10		μA	V <sub>R</sub> =3 V, T <sub>A</sub> =25°C
<b>DETECTOR</b>						
Operating Supply Voltage	V <sub>CC</sub>	4.5	12		V	T <sub>A</sub> =25°C
Low Level Supply Current	I <sub>CC</sub> L		15		mA	V <sub>CC</sub> =5.25 V
High Level Supply Current	I <sub>CC</sub> H		15		mA	V <sub>CC</sub> =5.25 V
Low Level Output Voltage	V <sub>OL</sub>			0.4	V	V <sub>CC</sub> =4.75 V, I <sub>OL</sub> =12.8 mA I <sub>F</sub> =0 mA
HOA6964/6974				0.4		I <sub>F</sub> =15 mA
HOA6965/6975				0.4		
High Level Output Voltage	V <sub>OH</sub>	2.4			V	V <sub>CC</sub> =4.75 V, I <sub>OH</sub> =100 μA, I <sub>F</sub> =15 mA
HOA6964/6974		2.4				I <sub>F</sub> =0 mA
HOA6965/6975		2.4				
Hysteresis <sup>(2)</sup>	HYST		50		%	
Propagation Delay, Low-High, High-Low	t <sub>PLH</sub> , t <sub>PHL</sub>		5		μs	V <sub>CC</sub> =5 V, I <sub>F</sub> =0 or 15 mA R <sub>L</sub> =390 Ω
Output Rise Time, Output Fall Time	t <sub>r</sub> , t <sub>f</sub>		70		ns	V <sub>CC</sub> =5 V, I <sub>F</sub> =0 or 15 mA R <sub>L</sub> =390 Ω
<b>COUPLED CHARACTERISTICS</b>						
IRET Trigger Current	I <sub>FT</sub>		15		mA	V <sub>CC</sub> =5 V

### Notes

1. It is recommended that a bypass capacitor, 0.1 μF typical, be added between V<sub>CC</sub> and GND near the device in order to stabilize power supply line.
2. Hysteresis is defined as the difference between the operating and release threshold intensities, expressed as a percentage of the operate threshold intensity.

## ABSOLUTE MAXIMUM RATINGS

(25°C Free-Air Temperature unless otherwise noted)

Operating Temperature Range	-40°C to 70°C
Storage Temperature Range	-40°C to 85°C
Soldering Temperature (5 sec)	240°C

### IR EMITTER

Power Dissipation	100 mW <sup>(1)</sup>
Reverse Voltage	3 V
Continuous Forward Current	50 mA

### DETECTOR

Supply Voltage:	
Totem-Pole Output	7 V <sup>(2)</sup>
All Others	12 V <sup>(2)</sup>
Duration of Output	
Short to V <sub>CC</sub> or Ground	1.0 sec.

### Notes

1. Derate linearly at 0.78 mW/°C above 25°C.
2. Derate linearly from 25°C to 5.5 V at 70°C.

Honeywell reserves the right to make changes in order to improve design and supply the best products possible.

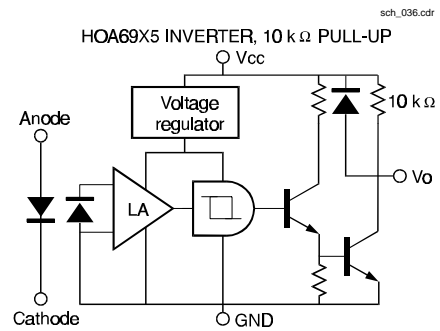
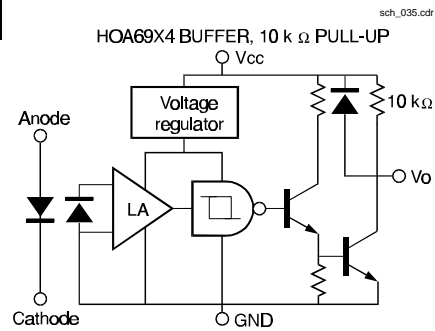
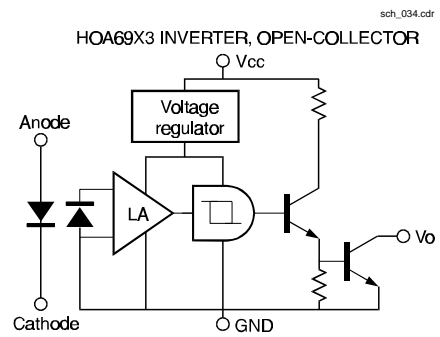
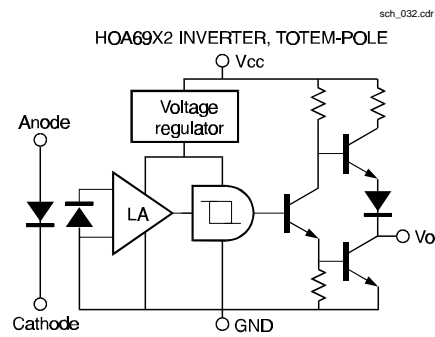
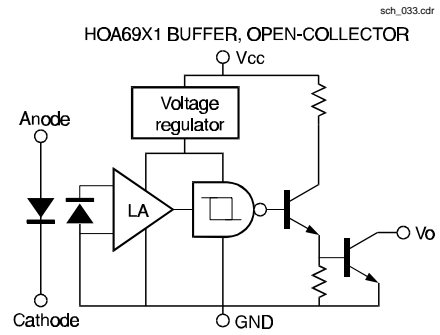
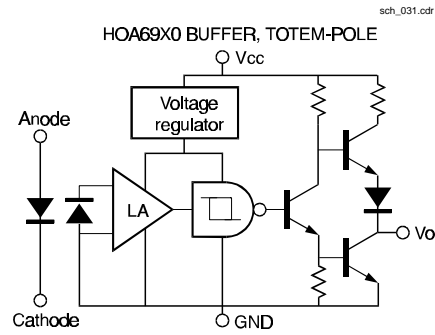
# Honeywell

379

# HOA696X/697X

## Transmissive Optoschmitt Sensor

### SCHEMATIC FOR HOA696X/697X



# HOA696X/697X

## Transmissive Optoschmitt Sensor

SWITCHING WAVEFORM FOR BUFFERS

cir\_013.cdr

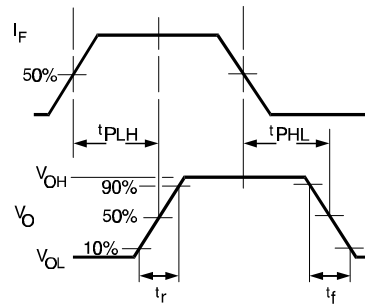
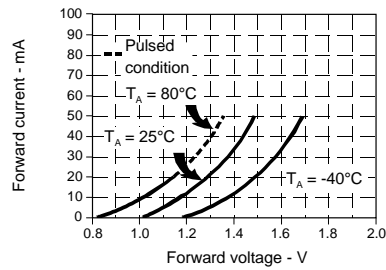


Fig. 1 IRED Forward Bias Characteristics

gra\_073.ds4



SWITCHING WAVEFORM FOR INVERTERS

cir\_011.cdr

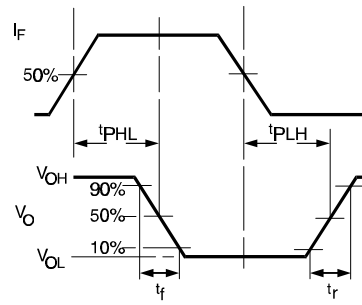
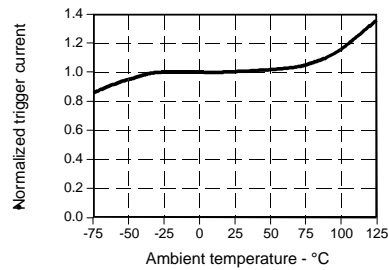


Fig. 2 IRED Trigger Current vs Temperature

gra\_098.ds4



All Performance Curves Show Typical Values

### PART NUMBER GUIDE

### HOA69XX-XXX

#### Housing Material

6 = Polysulfone, IR transmissive  
7 = Polysulfone, opaque

#### Output Configuration

0 = Totem-pole, buffer  
1 = Open-collector, buffer  
2 = Totem-pole, inverter  
3 = Open-collector, inverter  
4 = 10 kΩ pull-up, buffer  
5 = 10 kΩ pull-up, inverter

#### Aperture Width In Front Of Detector

1 = 0.010 In. (0.25 mm)  
5 = 0.050 In. (1.27 mm)  
Aperture length is 0.060 In. (1.52 mm)

#### Aperture Width In Front Of IRED

5 = 0.050 In. (1.27 mm)  
Aperture length is 0.060 In. (1.52 mm)

#### Mounting Configuration

L = Single mounting tab, emitter side  
N = No mounting tabs  
P = Single mounting tab, detector side  
T = Two mounting tabs

Honeywell reserves the right to make changes in order to improve design and supply the best products possible.

# Honeywell

381