

# Loop-Powered AC Current Transmitter

## DIN RAIL / PANEL MOUNT, AVERAGE RMS



CR4220

Single Element - .79" Window  
0.5 to 50 AAC Input Range



CR4260

Two Element - .26" Window  
0.5 to 30 AAC Input Range

The **CR4200** Series, Current Transmitters produce a calibrated 4-20 mADC signal that is proportional to the average RMS input AC current. Designed for multi-point current sensing, these devices provide excellent features in a high value package. The output signal is generated from a user supplied 24 VDC power supply within the output current loop.

### Applications

- Multi-point current sensing and control panels
- Remote current sensing
- Monitor motor faults
- Monitor heating elements
- Monitor lighting elements

### Features

- Relatively low cost
- 35mm DIN rail or panel mount
- High Accuracy
- Easy wiring
- Interfaces with most commercially available instrumentation
- Connection diagram printed on case

### Regulatory Agencies

- Approved to UL3111-1, First Edition, Amendment 2
- Approved to CAN/CSA-C22.2, No. 1010.1-92
- Meets requirement of IEC 61010-1 and BS EN 61010-1



CR Magnetics power supplies are matched perfectly for loop-powered transmitters. See Section B for Details.



All single element current transducers are available in split core design. Simply put an "S" at the end of the prefix  
\* **UL Recognition Pending**

Add suffix for input range

PART NUMBERS			
CR4220(S)	-		Single element with 4 - 20 mADC output (split core design)
CR4260	-		Two element with 4 - 20 mADC output
*Two element transducers are only available in ranges of 0.5 to 30 AAC			

- 5** - 0- 5 AAC \*
- 10** - 0-10 AAC \*
- 15** - 0-15 AAC \*
- 20** - 0-20 AAC \*
- 25** - 0-25 AAC \*
- 30** - 0-30 AAC \*
- 40** - 0-40 AAC
- 50** - 0-50 AAC

Ranges available up to and including 600 AAC



Another HUNTINGTON ELECTRIC Company

CR Magnetics, Inc. 3500 Scarlet Oak Blvd. St. Louis MO USA 63122 V: 636-343-8518 F: 636-343-5119

Web: <http://www.crmagnetics.com>

E-mail: [sales@crmagnetics.com](mailto:sales@crmagnetics.com)

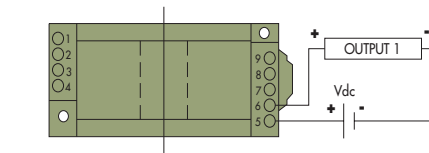
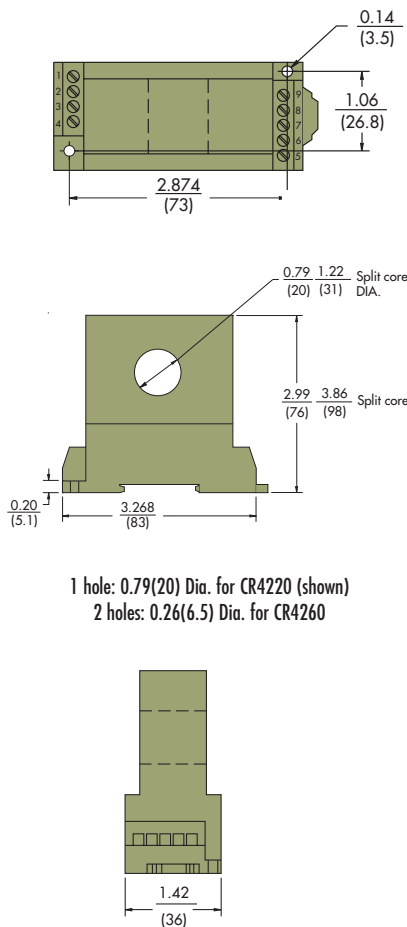
# Loop-Powered AC Current Transmitter

DIN RAIL / PANEL MOUNT, AVERAGE RMS

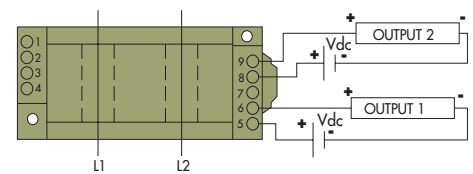
## SPECIFICATIONS

Basic Accuracy:.....	0.5%	Loop Voltage:.....	24 VDC
Thermal Drift:.....	500 PPM/°C	Frequency Range:.....	50Hz- 400Hz
Operating Temperature:.....	0°C to +60°C	Compliance Voltage:...	16 to 28 VDC
Installation Category:.....	CAT II	Typical Load:.....	0 To 300 Ω @ 24 VDC
Pollution Degree:.....	2	Cleaning:.....	Water-dampened cloth
MTBF:.....	Greater than 100 K hours	Relative Humidity:.....	80% for temperatures up to 31°C and decreasing linearly to 50% at 40°C
Altitude:.....	2000 meter max.	Torque Specs:.....	3.0 inch lbs. (0.4Nm)
Response Time:.....	250 ms max., 0-90% FS	Weight:.....	0.5 lbs.
Calibration:.....	Average Sensing, RMS Calibrated		
Insulation Voltage:.....	2500 VDC		

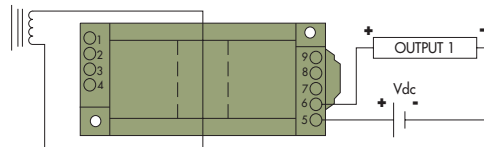
C Transducers



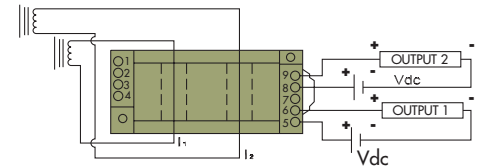
**CR4220**  
One Element - 4 - 20 mADC Output



**CR4260**  
Two Element 4 - 20 mADC Output



**CR4220**  
One Element with external current transformer \*



**CR4260**  
Two Element with external current transformer \*

## OUTLINE DRAWING

## CONNECTION DIAGRAM

\*Request CR Magnetics Low & Medium Voltage Current Transformers Catalog.

NOTE: The building installation must have a switch or circuit-breaker that is in close proximity and within easy reach of the operator. The switch or circuit breaker shall be marked as the disconnecting device for the equipment.



Another HUNTINGTON ELECTRIC Company

CR Magnetics, Inc. 3500 Scarlet Oak Blvd. St. Louis MO USA 63122 V: 636-343-8518 F: 636-343-5119

Web: <http://www.crmagnetics.com>

E-mail: [sales@crmagnetics.com](mailto:sales@crmagnetics.com)