

Current Switch - Normally Closed

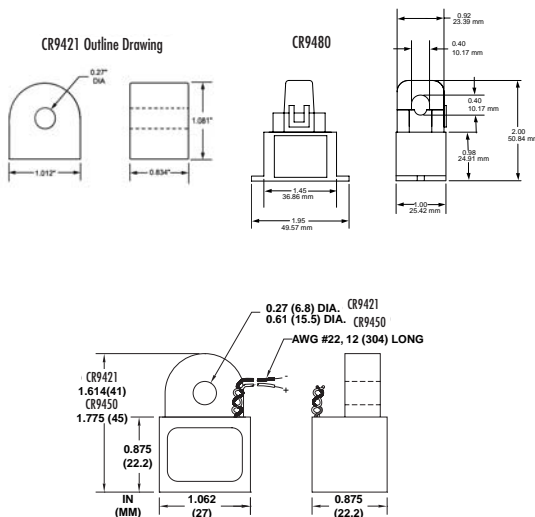
CR9400 Series



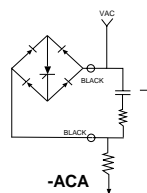
AC SWITCHING (-ACA)

Off state voltage: 240 VAC RMS max.
 Minimum switch voltage: 24 VAC RMS
 On state current: 0.8 AAC RMS max. continuous
 Off state leakage: 50 ua @ 240 VAC max.
 Peak Non-Repetitive Surge Current:
 8 AAC RMS (1 cycle, 60 Hz.)

OUTLINE DRAWING



ELECTRICAL CONNECTIONS



The **CR9400** Series is a low cost, self powered, fixed set-point Current Switch designed for applications that require an on-off indication of current flow.

The normal state of the switch is On when the current level is zero. Current levels above the guaranteed full-off level will turn the output to Off. The Current Switch is recommended only for applications where the continuous operating level is above the rated full on level of 350 mA. Operation below this point will not drive the output device full-on and derate the output ratings.

The unit available with a SCR output for switching AC. Connections can be made directly to items such as a PLC or electro-mechanical relay. Note that connections made directly to an inductive device such as an electro-mechanical relay will require a customer supplied clamping diode for DC operation or a snubber network for AC operation.

Applications

Continuity
 Proving Switch

Features

Low Cost
 Low Fixed Trip Point
 Fully Isolated
 Self-Powered

Specifications

Rated Full-off: 0.350 AAC RMS
 Turn-on Time: 100 ms. max. @ rated full-on
 Turn-off Time: 250 ms. max. to 80% of Vce
 Maximum sense current: Continuous: 100 AAC
 1 Second: 500 AAC

Frequency*: 50 to 400 Hz
 Operating Temperature: -30° C to +60° C
 Storage Temperature: -55° C to +85° C
 Weight 0.08 LBS.

*All specifications for operation at 60 Hz only

Regulatory Agencies



PART NUMBER

CR□□□□ - □□□ - □ CURRENT SWITCH

9421 .27 dia. Window
 9450 .61 dia. Window
 9480 .49 Splitcore

M Mounting Case (optional)

ACA AC Output

E

Relays and Switches



Another HUNTINGTON ELECTRIC Company

CR Magnetics, Inc. 3500 Scarlet Oak Blvd. St. Louis MO USA 63122 V: 636-343-8518 F: 636-343-5119

Web: <http://www.crmagnetics.com>

E-mail: sales@crmagnetics.com