

# Average RMS AC Current Transducer

## DIN RAIL / PANEL MOUNT, AVERAGE RMS



CR4410 CR4411 CR4420

Single Element - .79" Window  
0.5 to 150 AAC Input Range



CR4450 CR4460

Two Element - .26" Window  
0.5 to 30 AAC Input Range



CR4470 CR4480

Three Element - .26" Window  
0.5 to 30 AAC Input Range

The **CR4400** Series, Current Transmitters produce a calibrated 4-20 mADC signal that is proportional to the average RMS input AC current. Designed for multi-point current sensing, these devices provide excellent features in a high value package. The output signal is generated from a user supplied 24 VDC power supply within the output current loop.

### Applications

Multi-point current sensing and control panels  
Monitor motor faults  
Monitor heating elements  
Monitor lighting elements

### Features

Low cost  
DIN rail or panel mount  
High Accuracy  
Interfaces with most commercially available instrumentation  
Connection diagram printed on case

### Regulatory Agencies

Approved to UL3111-1, First Edition, Amendment 2  
Approved to CAN/CSA-C22.2, No. 1010.1-92  
Meets requirement of IEC 61010-1 and BS EN 61010-1



All single phase current transducers are available in split core design.  
Simply put an "S" at the end of the prefix  
\* **UL Recognition Pending**

☐ Add suffix for input range

PART NUMBERS			
CR4410(S)	-		Single element with 0 - 5 VDC output (split core design)
CR4411(S)	-		Single element with 0 - 10 VDC output (split core design)*
CR4420(S)	-		Single element with 4 - 20 mADC output (split core design)
CR4450	-		Two element with 0 - 5 VDC output *
CR4460	-		Two element with 4 to 20 mADC output *
CR4470	-		Three element with 0 - 5 VDC output *
CR4480	-		Three element with 4 - 20 mADC output *
Two and three element transducers are available only in ranges of 0.5 to 30 AAC * CR4411 Series not UL approved			

- .5 - 0-.5 AAC\*
  - 5 - 0-5 AAC\*
  - 10 - 0-10 AAC\*
  - 15 - 0-15 AAC\*
  - 20 - 0-20 AAC\*
  - 25 - 0-25 AAC\*
  - 30 - 0-30 AAC\*
  - 40 - 0-40 AAC
  - 50 - 0-50 AAC
  - 75 - 0-75 AAC
  - 100 - 0-100 AAC
  - 150 - 0-150 AAC
- other ranges available



Another HUNTINGTON ELECTRIC Company

CR Magnetics, Inc. 3500 Scarlet Oak Blvd. St. Louis MO USA 63122 V: 636-343-8518 F: 636-343-5119

Web: <http://www.crmagnetics.com>

E-mail: [sales@crmagnetics.com](mailto:sales@crmagnetics.com)

Transducers

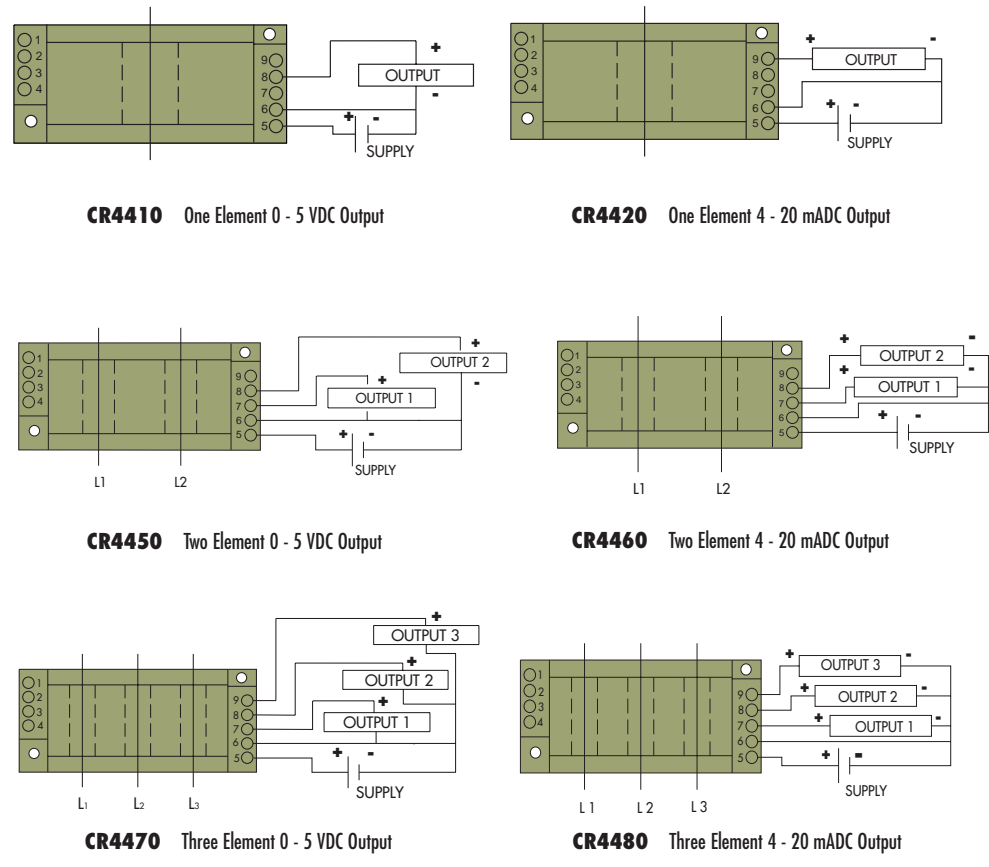
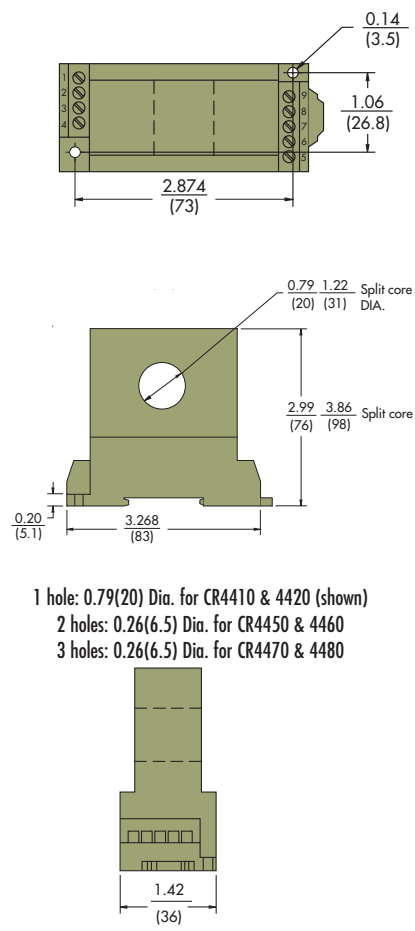
# Average RMS AC Current Transducer

DIN RAIL / PANEL MOUNT, AVERAGE RMS

## SPECIFICATIONS

Basic Accuracy:.....	0.5%	Relative Humidity:.....	80% for temperatures up to 31°C and decreasing linearly to 50% at 40°C
Thermal Drift:.....	500 PPM/°C	Supply Voltage:.....	24 VDC ±10%
Operating Temperature:.....	0°C to +60°C	Supply Current:	
Installation Category:.....	CAT II	CR4410/11.....	Typical 20mA Max 40mA
Pollution Degree:.....	2	CR4420.....	Typical 25mA Max 45mA
Response Time:.....	250 ms	CR4450.....	Typical 20mA Max 75mA
MTBF:.....	Greater than 100 K hours	CR4460.....	Typical 40mA Max 90mA
Altitude:.....	2000 meter max.	CR4470.....	Typical 25mA Max 110mA
Calibration:.....	Average Sensing, RMS Calibrated	CR4480.....	Typical 55mA Max 120mA
Insulation Voltage:.....	2500 VDC	CR4410S.....	Typical ---mA Max ----mA
Power Source:.....	24 VDC	CR4420S.....	Typical ---mA Max ----mA
Frequency Range:.....	50Hz - 400Hz	Torque Specs:.....	3.0 inch lbs. (0.4Nm)
Output Load:.....	2K Ω or greater	Weight:.....	0.5 lbs.
Cleaning:.....	Water-dampened cloth		

Transducers



## OUTLINE DRAWING

## CONNECTION DIAGRAM

NOTE: The building installation must have a switch or circuit-breaker that is in close proximity and within easy reach of the operator. The switch or circuit breaker shall be marked as the disconnecting device for the equipment.



Another HUNTINGTON ELECTRIC Company

CR Magnetics, Inc. 3500 Scarlet Oak Blvd. St. Louis MO USA 63122 V: 636-343-8518 F: 636-343-5119

Web: <http://www.crmagnetics.com>

E-mail: [sales@crmagnetics.com](mailto:sales@crmagnetics.com)