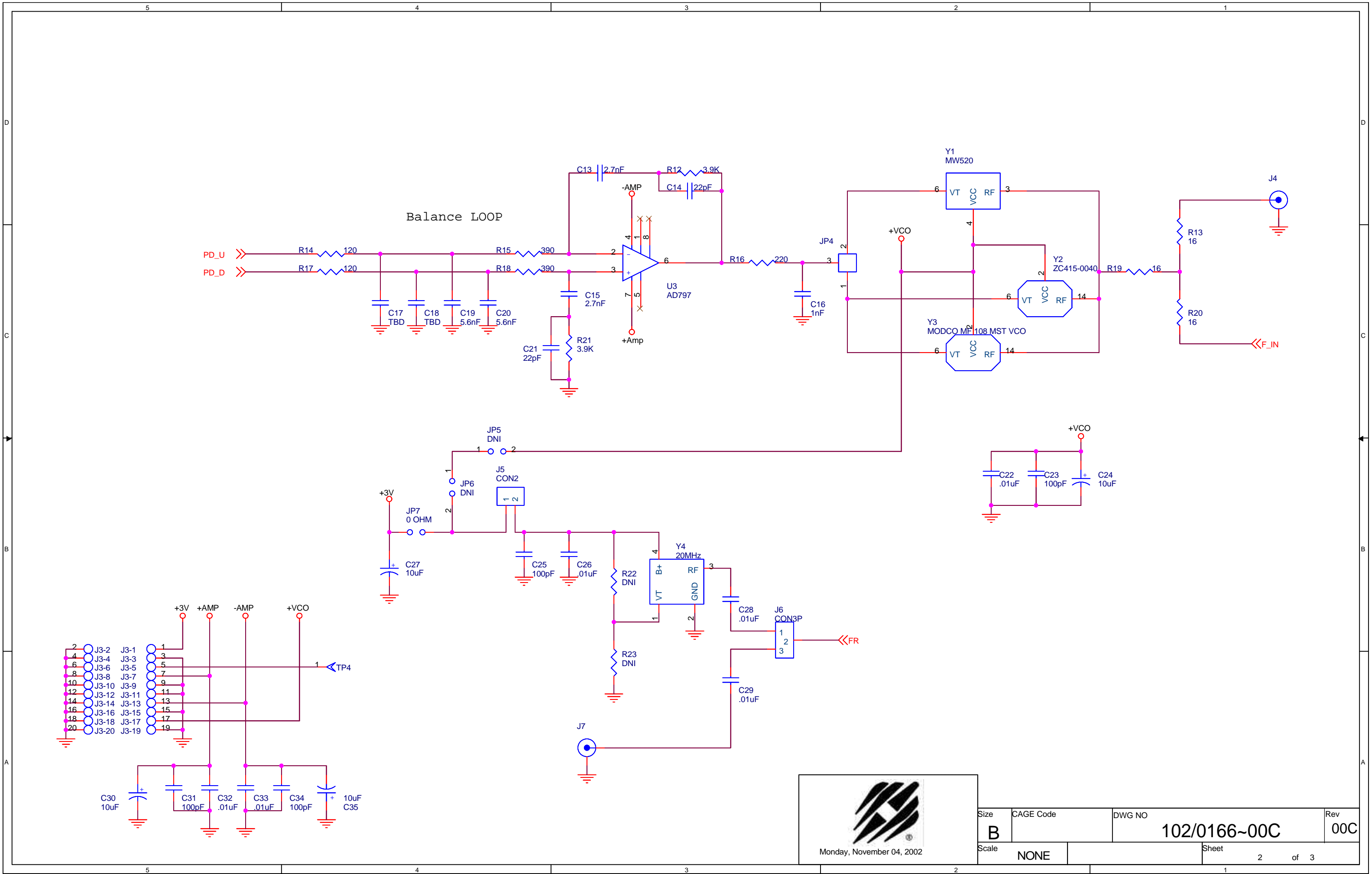
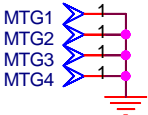
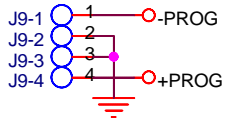
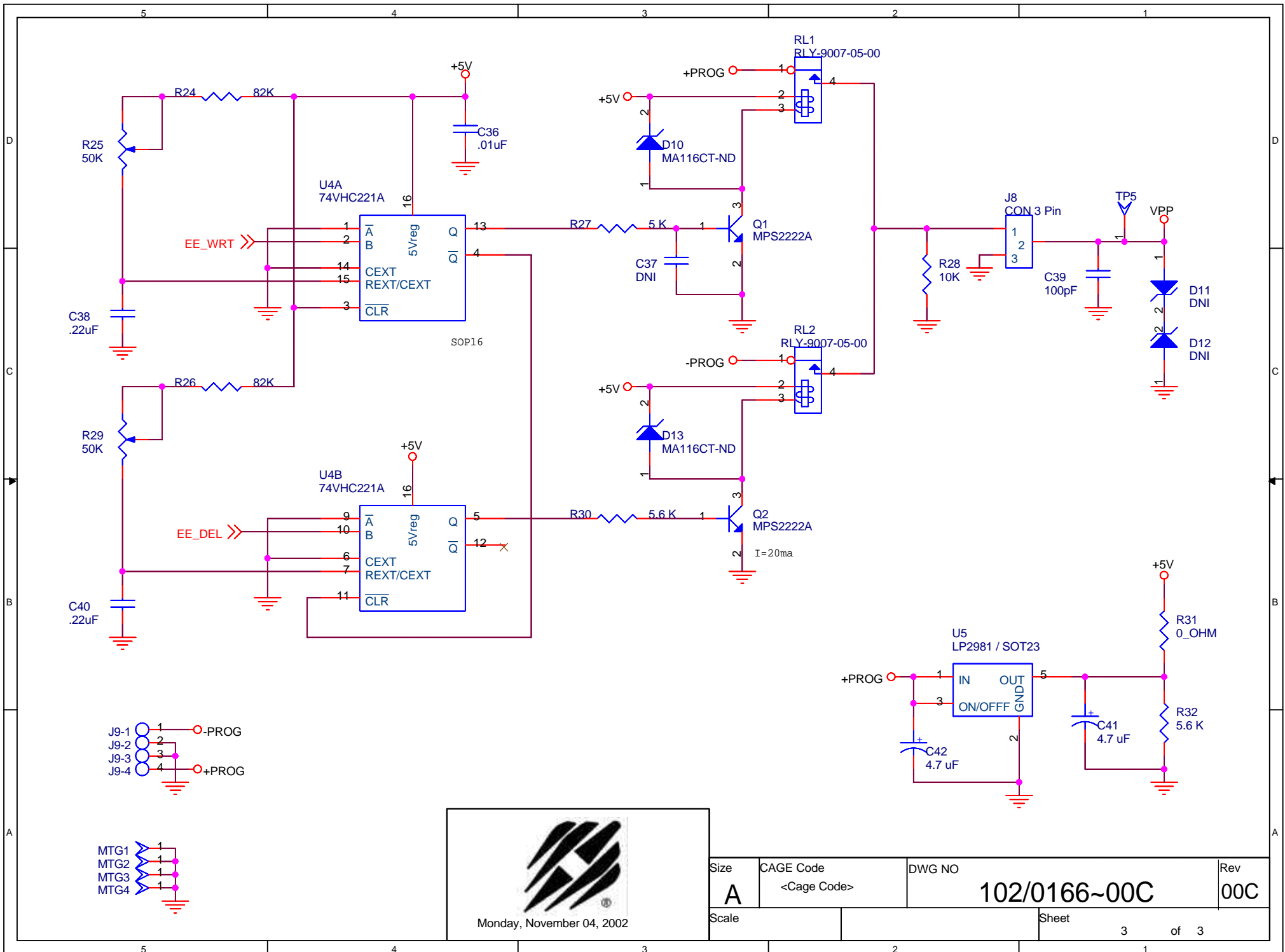
	<b>Peregrine Semiconductor Corporation</b> 6175 Nancy Ridge Dr. San Diego, CA 92121		
	<b>PE3342 &amp; PE83342 EK Schematic</b>		
Size	CAGE Code	DWG NO	Rev
C		102/0166-00C	00C
Monday, November 04, 2002	Scale	Sheet	1 of 3



Size	CAGE Code	DWG NO	Rev
B		102/0166~00C	00C
Scale	NONE		Sheet 2 of 3



Size	CAGE Code	DWG NO	Rev
A	<Cage Code>	102/0166~00C	00C
Scale	Sheet		3 of 3

**Peregrine Semiconductor Corporation**  
**PE3342 & PE83342 EK Schematic Revised: Friday, November 04, 2002**  
**Bill Of Materials**

Item	Quantity	Reference	Value	Part Description	Notes
1	1	A1	PI Att 2.00db	PI Attenuator 2.00 db	
2	1	A2	DNI	PI Attenuator 2.00 db	DO NOT INSTALL
3	2	CA1,CA2	100pF	SMC 3-Terminal Cap Array	
4	1	C1	3.3uF	AVX Chip Cap 0805	
5	7	C5,C22,C26,C28,C29,C32, C33	.01uF	AVX Chip Cap 0805	
6	7	C6,C7,C9,C10,C11,C14,C21	22pF	AVX Chip Cap 0603	Cut trace under C10
7	5	C8,C23,C25,C31,C34	100pF	AVX Chip Cap 0603	
8	2	C12,C37	DNI	AVX Chip Cap 0603	
9	2	C13,C15	2.7nF	SMD Cap 1206	Loop Filter
10	1	C16	1nF	SMD CAP 1206	Loop Filter
11	2	C17,C18	TBD	AVX Chip Cap 0603	For Trimming
12	2	C20,C19	5.6nF	SMD Cap 1206	Loop Filter
13	4	C24,C27,C30,C35	10uF	Cap 2513	
14	1	C36	.01uF	AVX Chip Cap 0603	
15	2	C40,C38	.22uF	SMD Capacitor 0805	
16	1	C39	100pF	SMD Capacitor 0603	
17	2	C42,C41	4.7 uF	Tant Cap 2513	
18	1	C43	DNI	SMD Capacitor 0603	
19	9	D1,D2,D3,D4,D5,D6,D7,D8, D9	2.7V	Panasonic Zener Diode	Follow the silkscreen
20	1	D10	MA116CT-ND	Switch Diode 40V	Follow the Pad
21	2	D12,D11	DNI	Panasonic Zener Diode	
22	1	D13	MA116CT-ND	Panasonic Zener Diode	Follow the Pad
23	1	JP4	0 OHM	0603 Jumper	Put 0 OHM Resistor on Pins 1 and 3
24	1	JP5	DNI		
25	1	JP6	DNI	0603 Jumper	
26	1	JP7	0 OHM	0603 Jumper	
27	1	J1	SUB_D_IDCMATE26		
28	1	J2	CON2	2 Pin Header	
29	1	J3	HDR2X10	20 Pin Header, .100	
30	2	J7,J4	SMA Connector (Side Mnt Short)	SMA Connector (Side Mount)	
31	1	J5	CON2	2 Pin Header	TCXO VCC Supply
32	1	J6	CON3P	3 Pin Header	REF Select
33	1	J8	CON 3 Pin	3 Pin Header	
34	1	J9	HDR2X7	4 Pin Header, .100	

35	9	TP1,MTG1,TP2,MTG2,TP3, MTG3,TP4,MTG4,TP5	T POINT A	Test Point	
36	2	Q1,Q2	MPS2222A		
37	2	RL1,RL2	RLY-9007-05-00	Relay from Newark electronics	
38	2	R2,R1	220	16 Pin SMD R-Pack	
39	1	R3	10K	10 Pin SIP Resistor	
40	1	R4	DNI	SMD Resistor 0603	
41	1	R5	51	SMD Resistor 0603	
42	2	R21,R12	3.9K	SMD Resistor 0805	Loop filter
43	3	R13,R19,R20	16	SMD Resistor 0805	
44	2	R17,R14	120	SMD Resistor 0805	
45	2	R15,R18	390	AVX Chip Resistor 0603	
46	1	R16	220	SMD Resistor 0805	
47	2	R23,R22	DNI	SMD Resistor 0603	DO NOT INSTALL
48	2	R26,R24	82K	SMD Resistor 0603	
49	2	R29,R25	50K	Potentiometer	
50	1	R27	5 K	SMD Resistor 0603	
51	1	R28	10K	SMD Resistor 0603	
52	1	R30	5.6 K	SMD Resistor 0603	
53	1	R31	0_OHM	SMD Resistor 0603	
54	1	R32	5.6 K	SMD Resistor 1210	
55	1	SW1	DIG-8		
56	1	U1	TSSOP-24		Install U1 or U2
57	1	U2	MLP-20		Install U1 or U2
58	1	U3	AD797	Ultra Low Noise OP AMP	
59	1	U4	74VHC221A		
60	1	U5	LP2981 / SOT23	5 V regulator	
61	1	Y1	MW520	Micronetics MW520 VCO	DO NOT INSTALL
62	1	Y2	ZC415-0040	Z-COMM 415-0040 VCO	DO NOT INSTALL
63	1	Y3	MODCO MF 108 MST VCO	MODCO MF 108 MST VCO	
64	1	Y4	20MHz	Vectron TCXO OSC-3B0-20MHz	
65	1	101/0127-00A		PE3341/2 TSSOP/MLP20 EK Board	