



Specification

# SPECIFICATION

Model No. : **WLP.25**  
Part No. : **WLP.2450.25.4.A.02**  
Specification No : DA2450C  
Product Name : **2450MHz Patch Antenna**  
Features : 25mm\*25mm\*4.5mm  
ROHS Compliant

:



## REVISION STATUS

Version	Date	Page	Revision Description	Prepared	Approved
01	Jan 03 <sup>rd</sup> 2007	All	New format	TW Product Centre	Ronan Quinlan

© All Rights Reserved

Taoglas Limited, Unit 7 Peare Campus, Moyne Business Park, Enniscorthy, Co. Wexford, Ireland  
info@taoglas.com +353 53 9169500 www.taoglas.com



## Specification

### 1.0 Introduction

This WLP.25 patch antenna for ISM, Wi-Fi, Bluetooth and Zigbee is based on smart *XtremeGain*<sup>™</sup> technology. It is mounted via pin and double-sided adhesive and has been selected as optimal solution for the 50\*50mm ground plane. This passive patch offers typical gain response from 2.5 dBi and a higher gain can be achieved, depending on the Ground Plane, the space available and clearance afforded. The WLP.25's high gain performance is a perfect solution for metering and remote monitoring applications; it can deliver longer range than smaller chip antennas.

### 2.0 Key Antenna Performance Indicators

#### Original Patch Specification tested on 50mm<sup>2</sup> ground plane

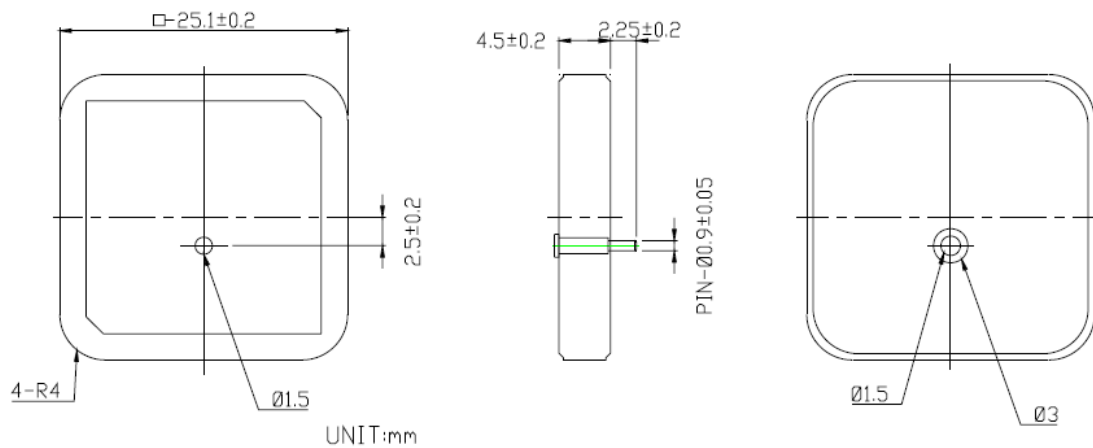
No	Parameter	Specification	Notes
1	Range of Receiving Frequency	2450±50Mhz	
2	Center Frequency	2482MHz	with 50mm <sup>2</sup> GND Plane
3	Bandwidth	85 MHz min	Return Loss £-10dB
4	VSWR	1.5 max	Center Frequency
5	Gain at Zenith	+5.0dBi typ.	Center Frequency
6	Gain at 10° Elevation	-1.0dBi typ.	Center Frequency
7	Axial Ratio	3 dB Max	Center Frequency
8	Polarization	RHCP	
9	Impedance	50Ω	
10	Frequency Temp Coefficient (Tf)	0±20ppm/°C	-40°C to +105°C
11	Operating Temperature	-40°C to +105°C	

**\*Changes in user groundplane and environment will have an effect on the antennas performance**

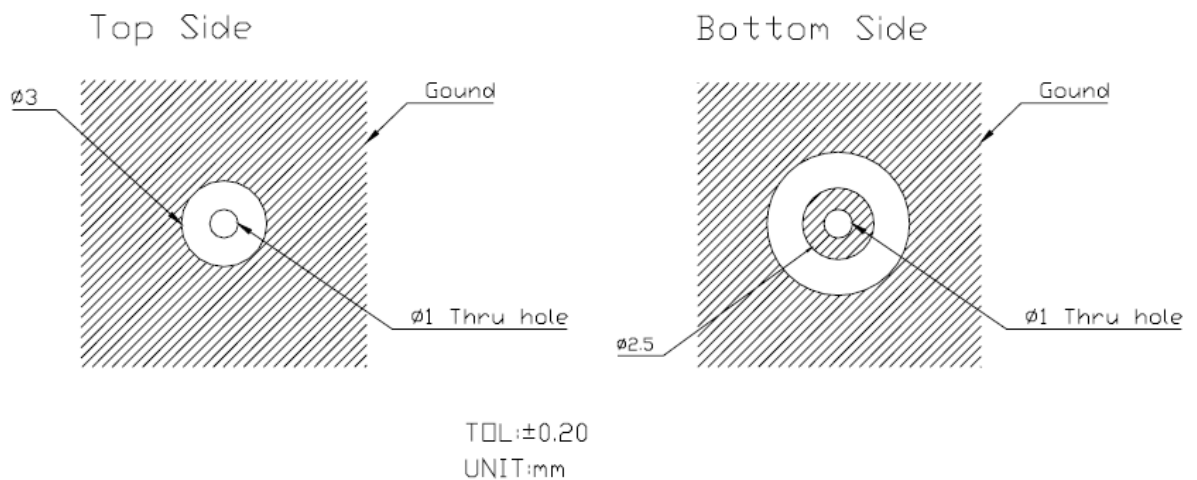


### 3.0 Mechanical Specifications

#### 3.1 Dimensions and Drawing

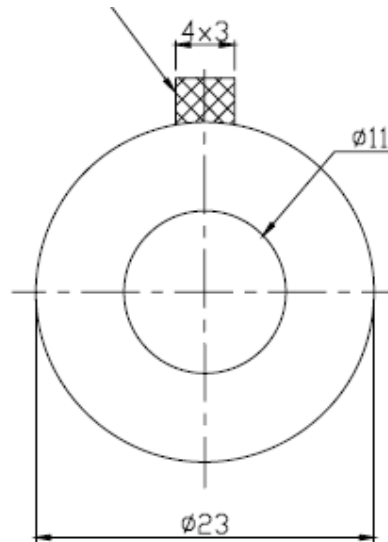


#### 3.2 Layout Dimensions





### 3.3 Tape Dimensions

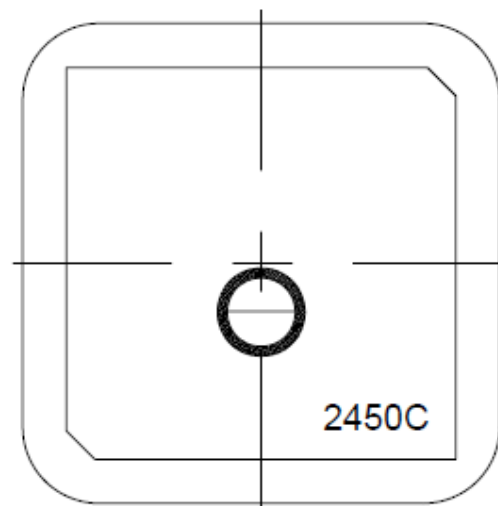


1.NITTO : NO.5015

2.Double-coated adhesive tape for industrial use

3.Thickness : 0.12mm

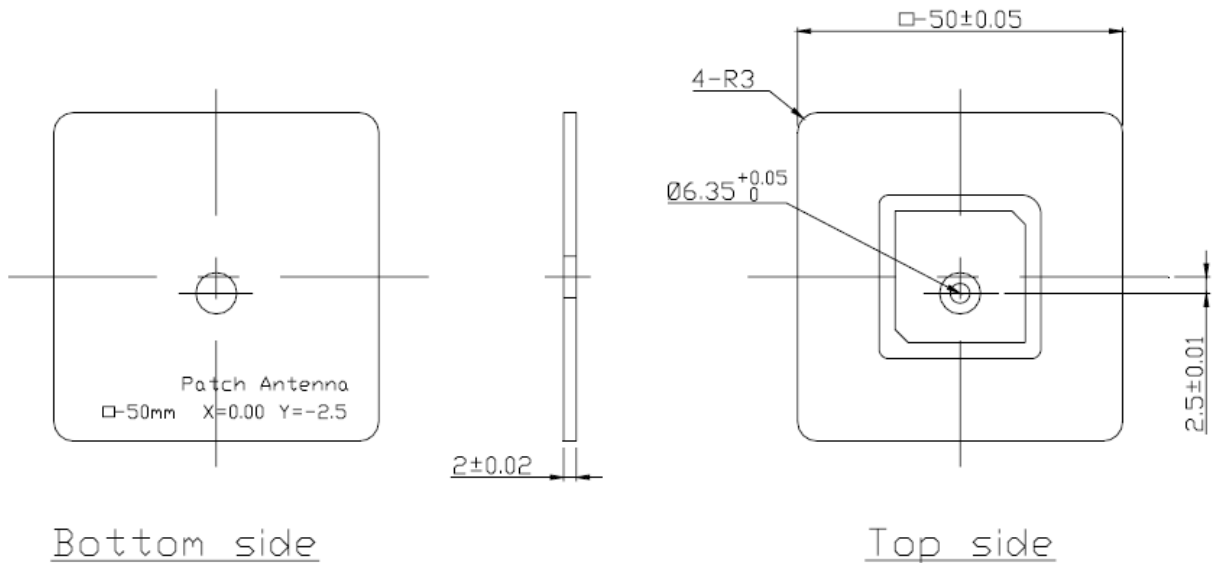
### 3.4 Mark



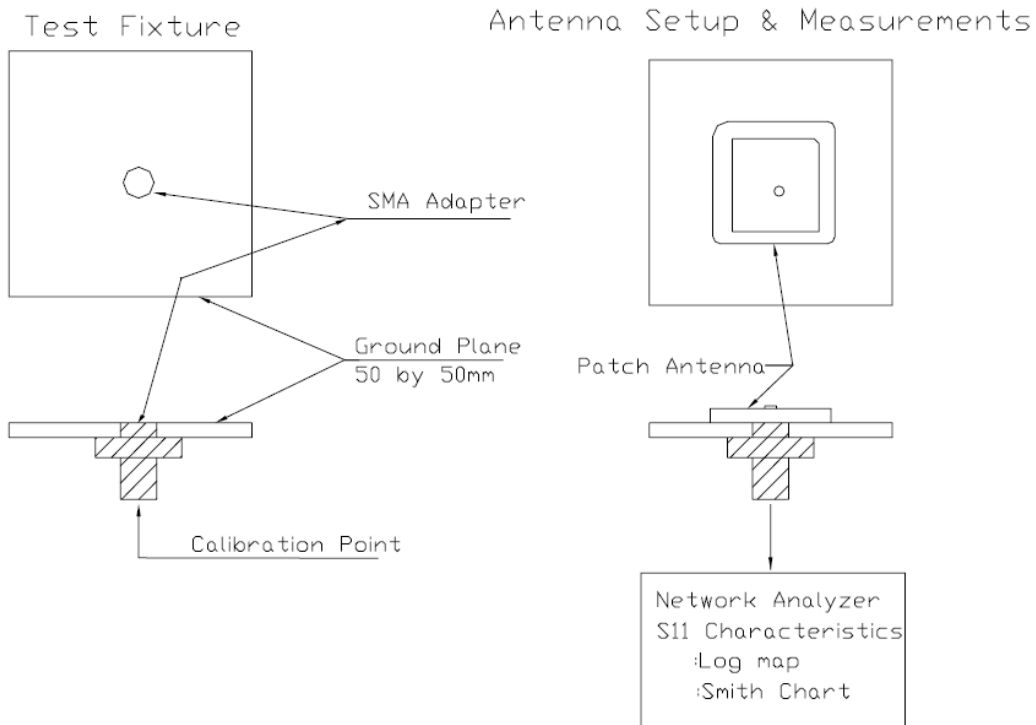


Specification

### 3.5 Ground Plane Dimension



### 3.6 Test Fixture Antenna & Performance Measurements



© All Rights Reserved

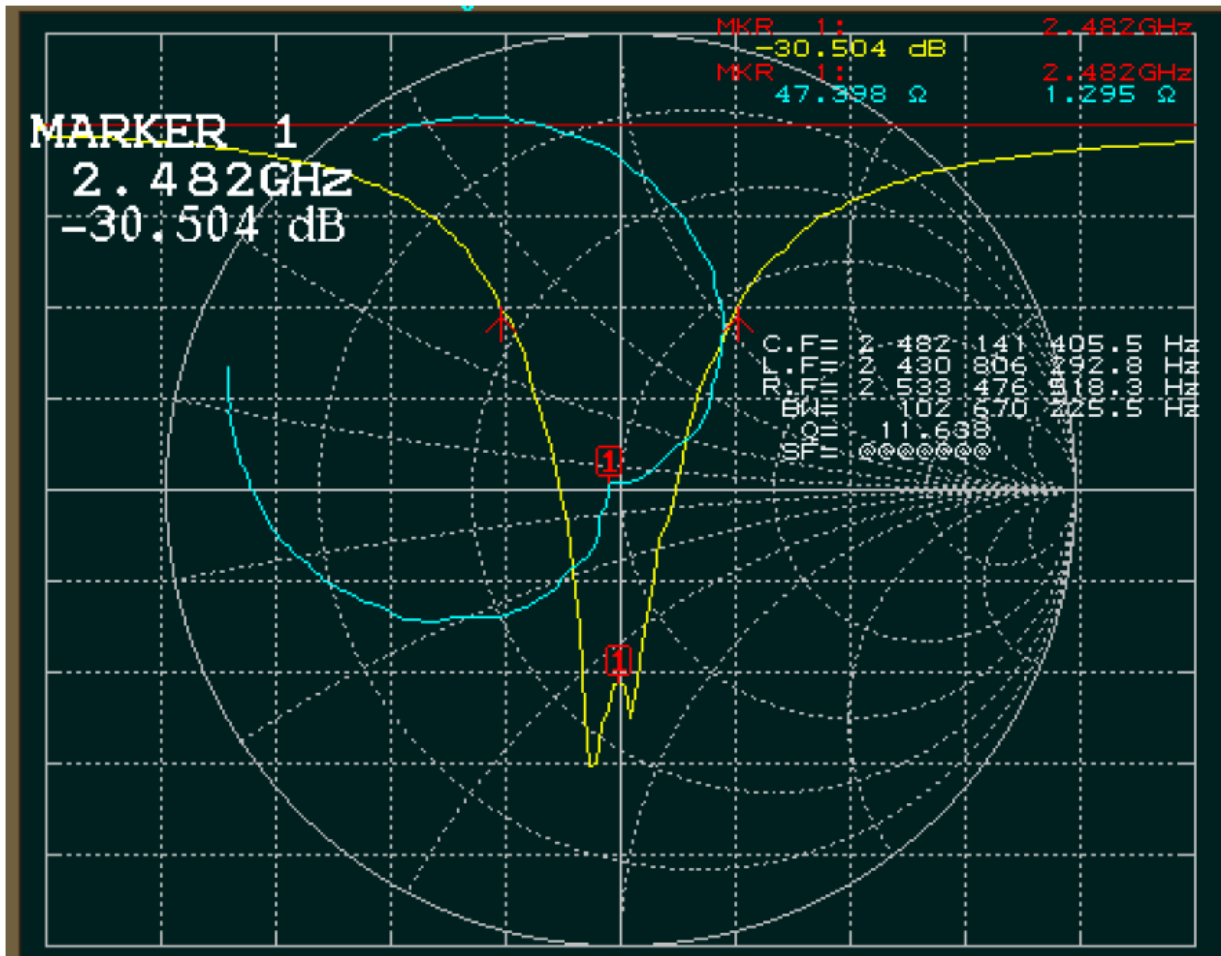
Taoglas Limited, Unit 7 Peare Campus, Moyne Business Park, Enniscorthy, Co. Wexford, Ireland  
 info@taoglas.com

+353 53 9169500

www.taoglas.com

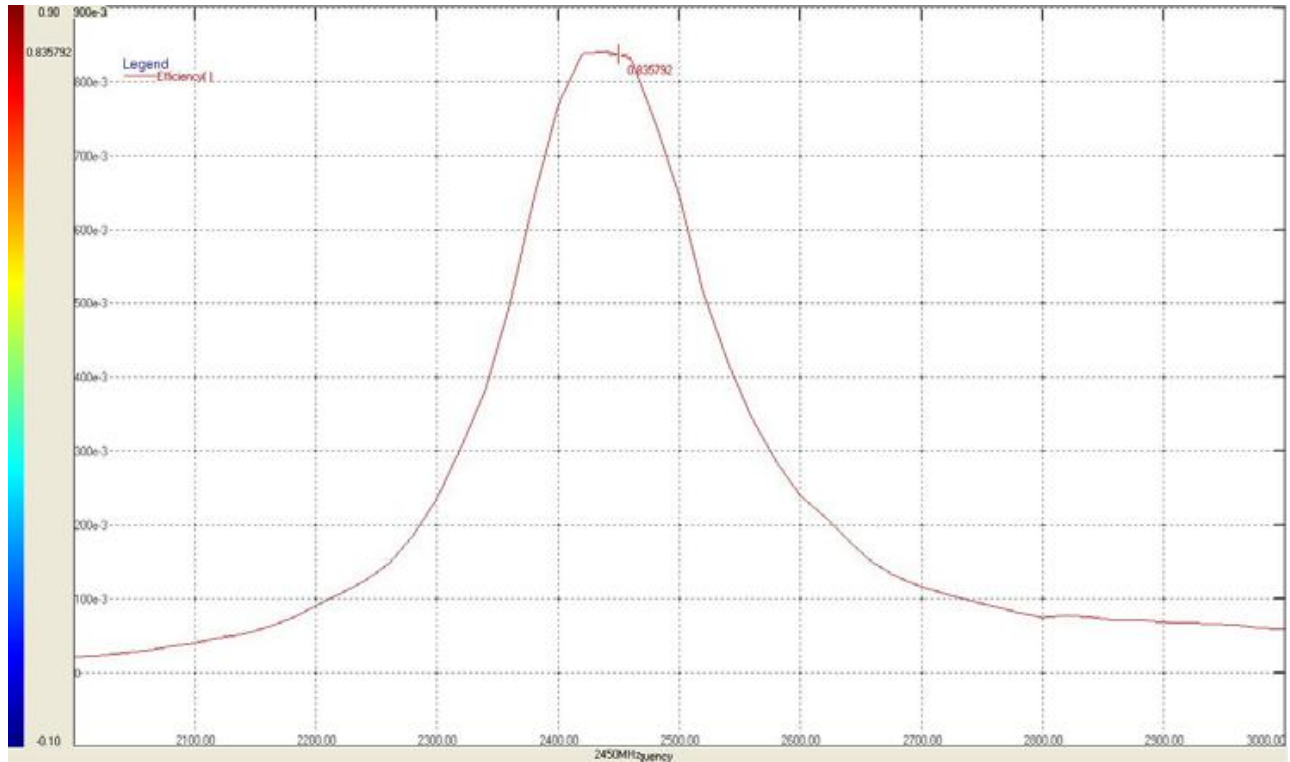


## 4.0 Performance Measurement



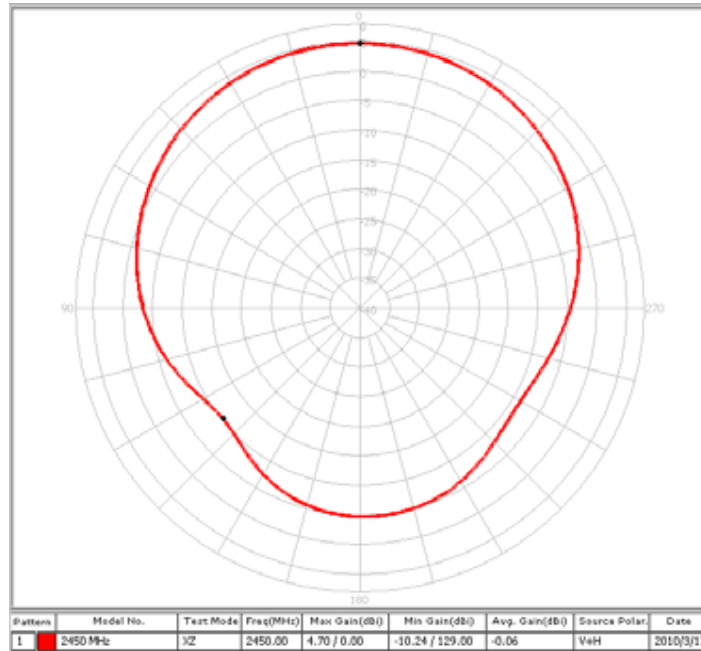


## 4.2 Efficiency

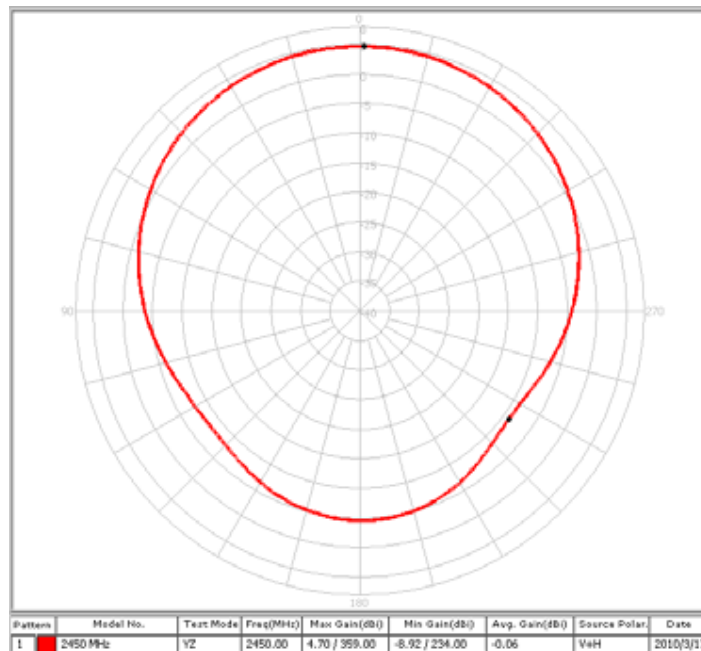




## 4.3 Antenna Gain



### XZ-Plane



### YZ-Plane

© All Rights Reserved

Taoglas Limited, Unit 7 Peare Campus, Moyne Business Park, Enniscorthy, Co. Wexford, Ireland  
 info@taoglas.com

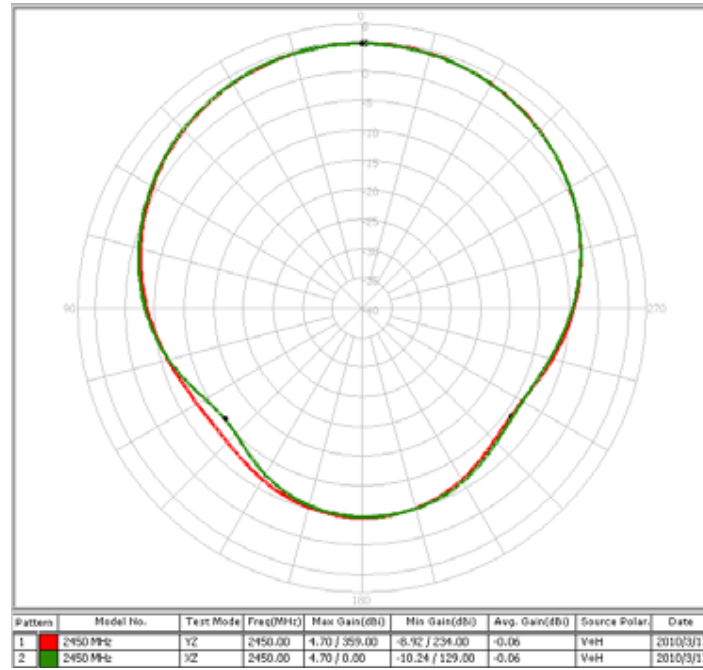
+353 53 9169500

www.taoglas.com





Specification



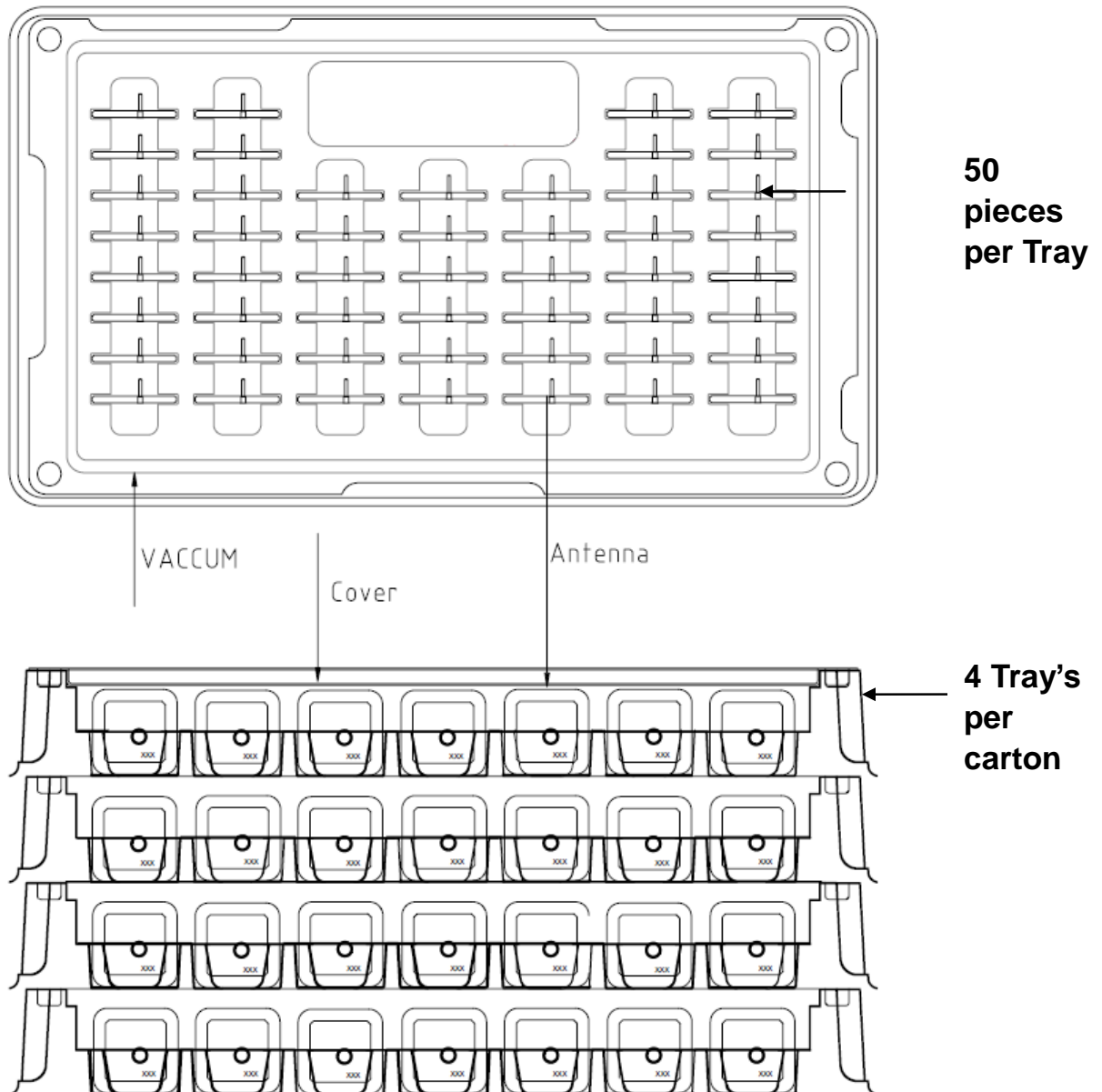
XY Plane



Specification

## 5.0 Packaging

- Per Tray: 50 pieces
- Per Carton(Inside Box) – 4 Trays = 200 pieces
- Outer Carton (Outside Box)– 4 Cartons = 800 pieces





Specification

