



Specification

SPECIFICATION

Part No. : **GP.1575.35.3.A.02**

Specification No : **GP.35A**

Product Name : **3.5mm thick GPS Patch Antenna, 1575MHz (DA1574Q)**

Features : 35mm*35mm*3.5mm
ROHS Compliant

:



REVISION STATUS

Version	Date	Page	Revision Description	Prepared	Approved
01	Jan 03 rd 2007	All	New format	TW Product Centre	Ronan Quinlan

© All Rights Reserved

Taoglas Limited, Unit 7 Peare Campus, Moyne Business Park, Enniscorthy, Co. Wexford, Ireland
info@taoglas.com

+353 53 9169500

www.taoglas.com



Specification

1.0 Introduction

2.0 Key Antenna Performance Indicators

Original Patch Specification tested on 50mm² ground plane

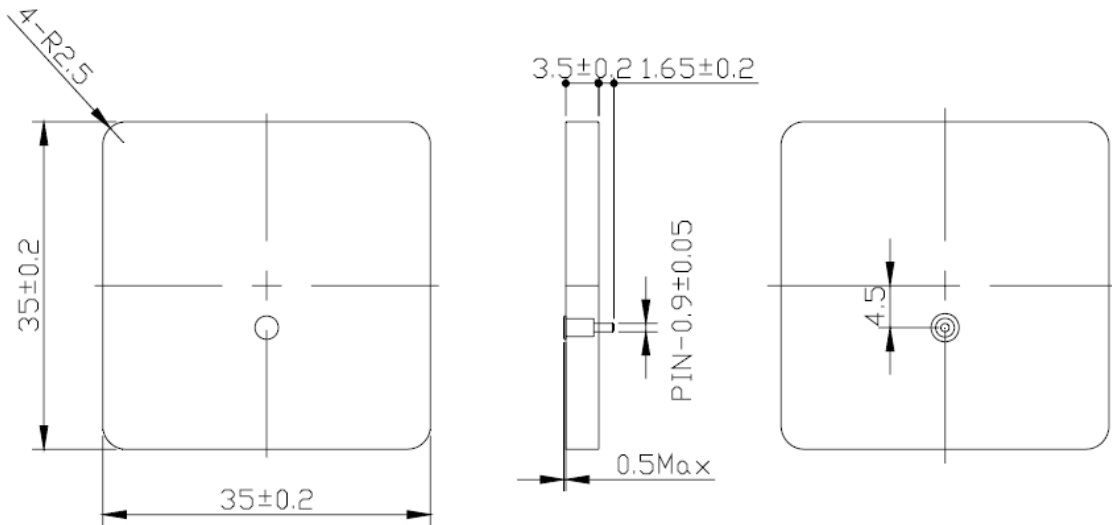
No	Parameter	Specification	Notes
1	Range of Receiving Frequency	1616~1626.5MHz	
2	Center Frequency	1575MHz ± 6MHz	With 50x50mm ground plane
3	Bandwidth	22MHz min	Return Loss ≤-10 dB
4	VSWR	1.5 max	Center Frequency
5	Gain at Zenith	2.0 dBic typ.	
6	Gain at 10°elevation	1.5dBic typ.	
7	Axial Ratio	3 dB max	
8	Polarization		RHCP
9	Impedance		50 Ohms
10	Frequency Temperature Coefficient (Tf)	0 ± 20ppm / °C	-40°C to +85°C
11	Operating Temperature		-40°C to +85°C



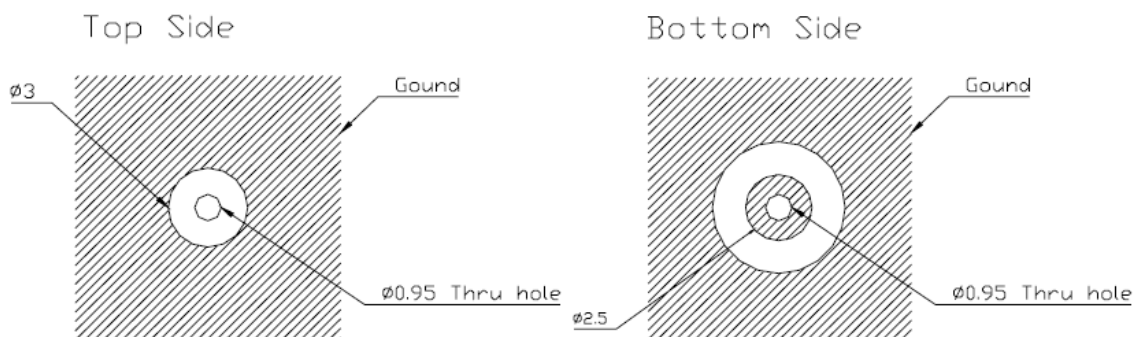
Specification

3.0 Mechanical Specifications

3.1 Shape and Dimension



3.2 Layout



TOL: ± 0.20
UNIT: mm

© All Rights Reserved

Taoglas Limited, Unit 7 Peare Campus, Moyne Business Park, Enniscorthy, Co. Wexford, Ireland
info@taoglas.com

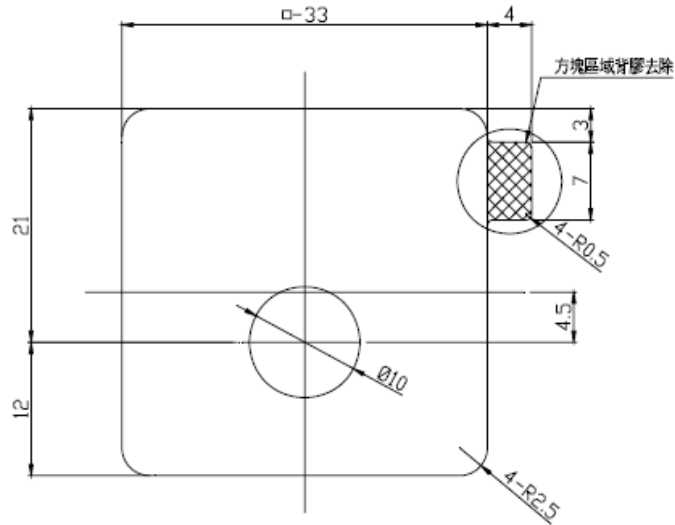
+353 53 9169500

www.taoglas.com



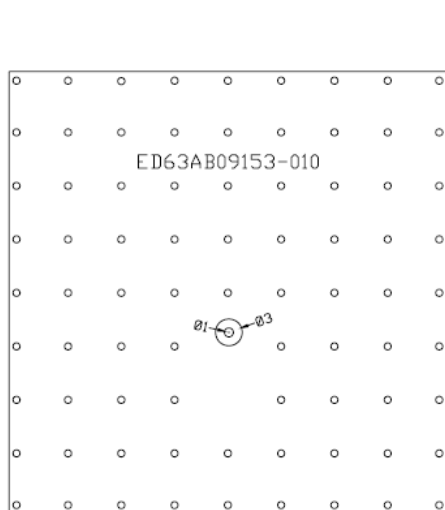
Specification

3.3 Tape Dimension

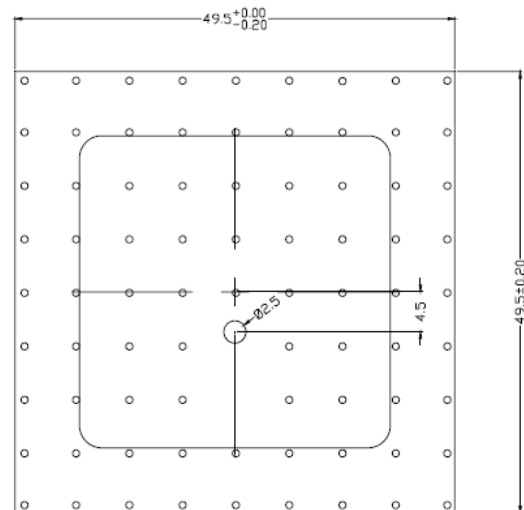


- 備註: 1. NITTO : NO.5015
 2. Double-coated adhesive tape for industrial use
 3. Thickness : 0.12mm

3.4 Test Jig and Dimension



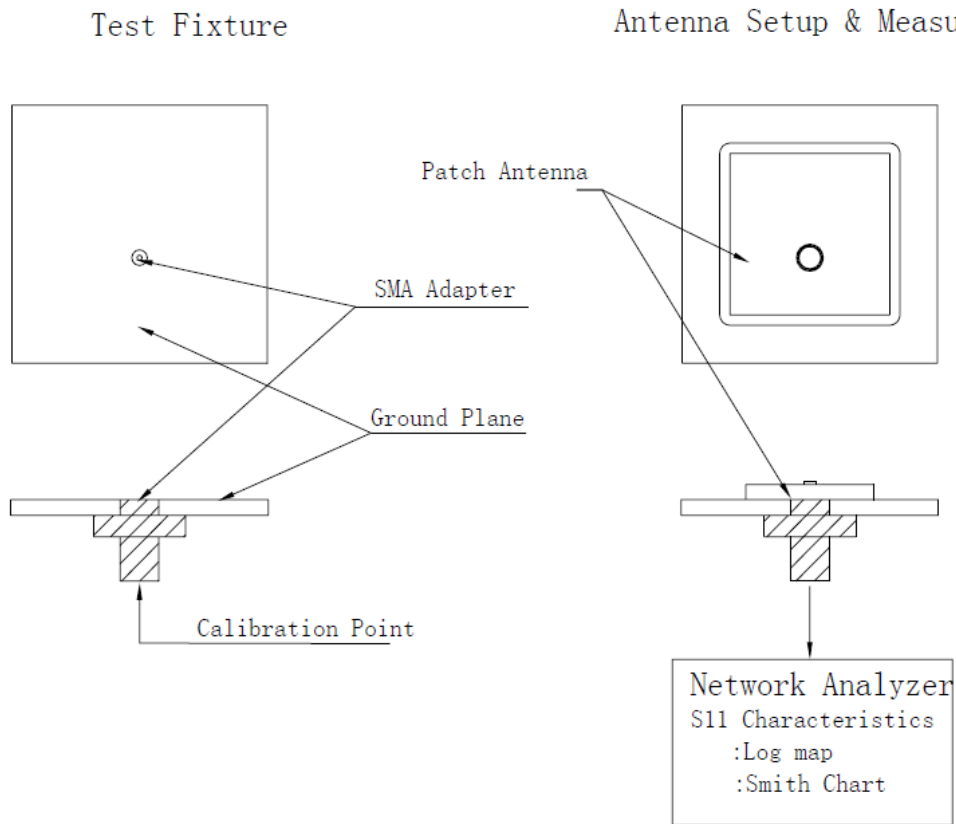
BOTTOM面



TOP面

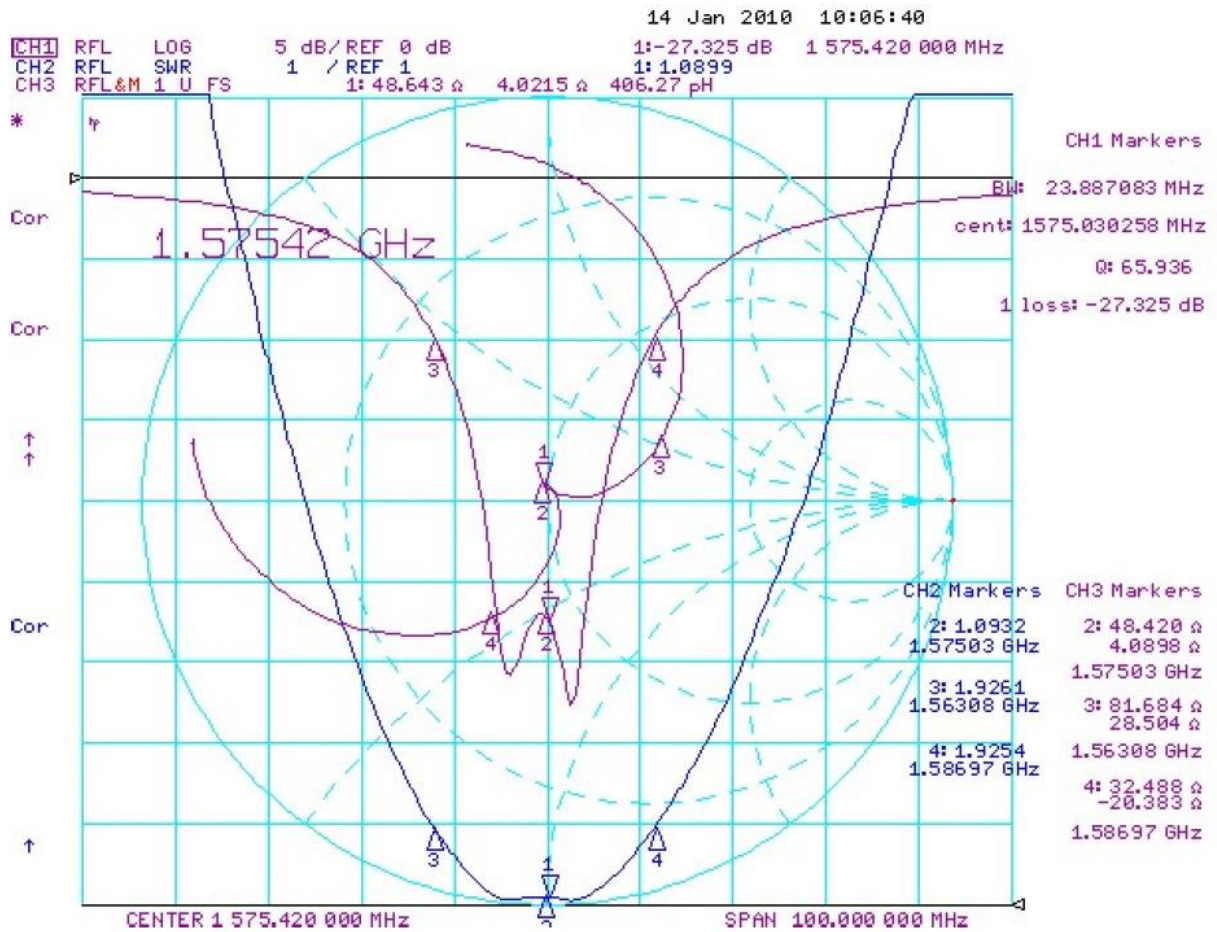


3.5 Test Fixture Antenna Setup and Measurements



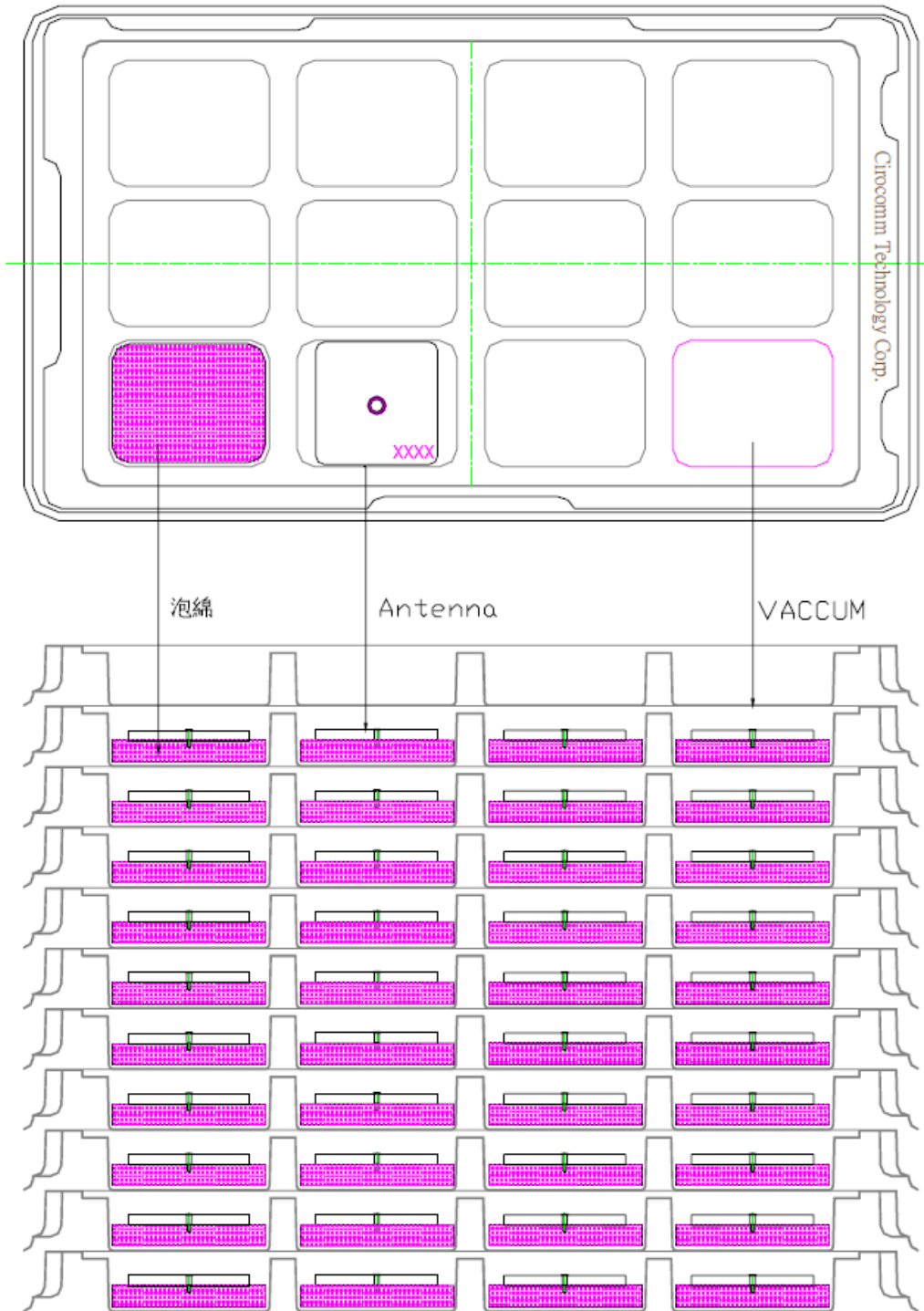


4.0 Performance testing and results





5.0 Packing



© All Rights Reserved

Taoglas Limited, Unit 7 Peare Campus, Moyne Business Park, Enniscorthy, Co. Wexford, Ireland
info@taoglas.com

+353 53 9169500

www.taoglas.com



Specification

