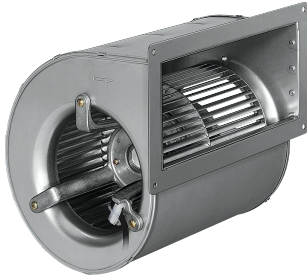


D2E146-AP47-22

# AC centrifugal fan

forward curved, dual inlet  
with housing (small flange)



**ebm-papst Mulfingen GmbH & Co. KG**

Bachmühle 2  
74673 Mulfingen  
Phone: +49 7938 81-0  
Fax: +49 7938 81-110  
www.ebmpapst.com  
info1@de.ebmpapst.com

## Nominal data

Type	D2E146-AP47-22		
Motor	M2E068-EC		
Phase		1~	1~
Nominal voltage	[V]	230	230
Frequency	[Hz]	50	60
Type of data definition		ml	ml
Valid for approval / standard		CE	CE
Speed	[min <sup>-1</sup> ]	2050	2550
Power input	[W]	300	330
Current draw	[A]	1,31	1.45
Motor capacitor	[μF]	8	8
Capacitor voltage	[VDB]	400	400
Min. back pressure	[Pa]	200	400
Max. ambient temperature	[°C]	30	25
Air flow	[m <sup>3</sup> /h]	970	690
Back pressure	[Pa]	200	400
Sound pressure level	[dB(A)]	63	68

ml = max. load · me = max. efficiency · rfa = running at free air · cs = customer specs · cu = customer unit  
Subject to alterations

# AC centrifugal fan

forward curved, dual inlet  
with housing (small flange)

## Technical features

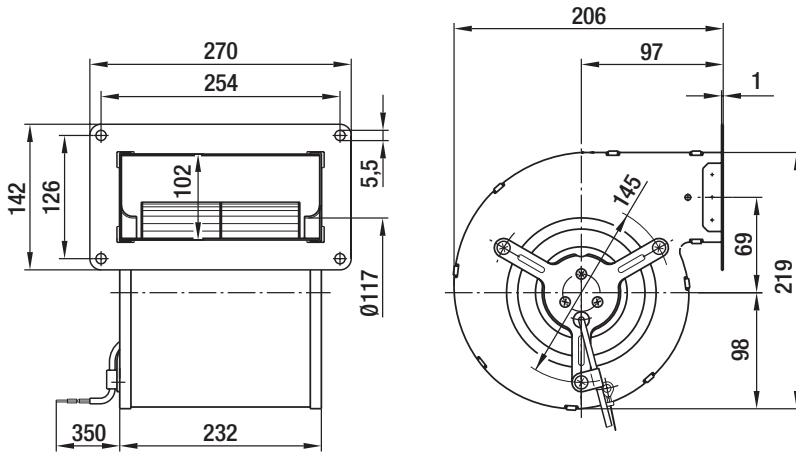
<b>Leakage current</b>	< 0,75 mA
<b>General description</b>	With flange
<b>Size</b>	146 mm
<b>Operation mode</b>	Continuous operation (S1)
<b>Direction of rotation</b>	Counter-clockwise, seen on rotor
<b>Mounting position</b>	Any
<b>Insulation class</b>	"B"
<b>Cable exit</b>	Axial
<b>Condensate discharge holes</b>	None
<b>Bearing motor</b>	Ball bearing
<b>Mass</b>	4.2 kg
<b>Housing material</b>	Sendzimir galvanized sheet steel
<b>Material of impeller</b>	Sendzimir galvanized sheet steel
<b>Motor suspension</b>	Motor mounted via brackets on one side
<b>Motor protection</b>	Thermal overload protector (TOP) wired internally
<b>Product conforming to standard</b>	CE
<b>Surface of rotor</b>	Uncoated
<b>Type of protection</b>	IP 44 - depending on position
<b>Protection class</b>	I
<b>Max. permissible ambient motor temp. (transp./ storage)</b>	+ 80 °C
<b>Min. permissible ambient motor temp. (transp./storage)</b>	- 40 °C
<b>Approval</b>	CCC; GOST

D2E146-AP47-22

# AC centrifugal fan

forward curved, dual inlet  
with housing (small flange)

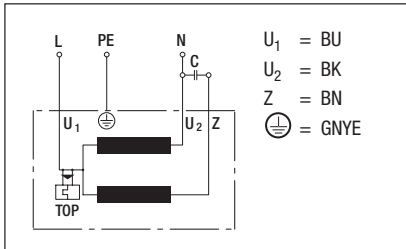
## Product drawing



# AC centrifugal fan

forward curved, dual inlet  
with housing (small flange)

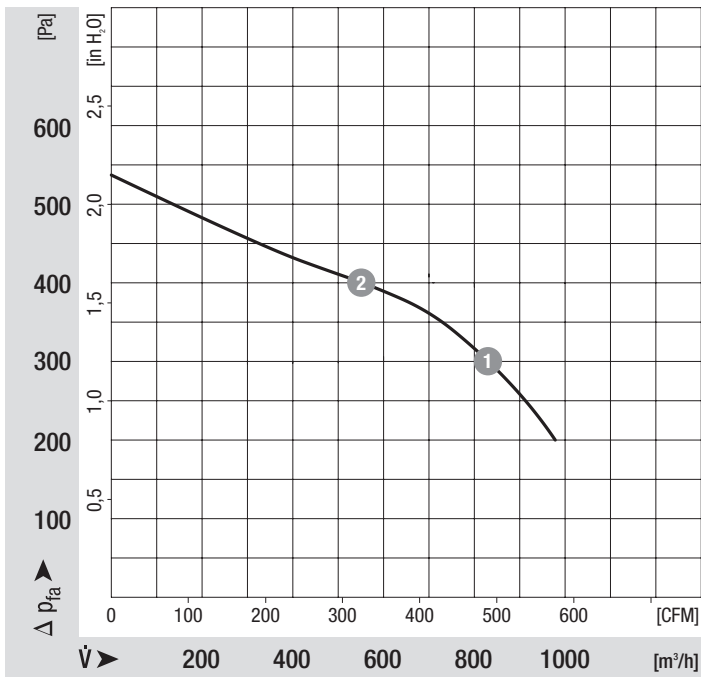
## Connection screen



# AC centrifugal fan

forward curved, dual inlet  
with housing (small flange)

## Charts: Air flow 50 Hz



## Measured values

	n	P <sub>1</sub>	I
	[min <sup>-1</sup> ]	[W]	[A]
1	2300	262	1.15
2	2600	206	0.91

# AC centrifugal fan

forward curved, dual inlet  
with housing (small flange)

## Charts: Air flow 60 Hz

