



Air moving solutions made simple



AC Fans
DC Fans



AC Blowers
DC Blowers



AC Impellers
DC Impellers



AC
Motors



Accessories

Search

Part/Model #
Stock Check
Cross-Reference
Keyword

More Products

Heat Sinks
Fan Accessories
Engineering Tools
Airflow Calculator
Thermal Calculator
Unit Conversions
Application Notes
Custom Solutions
Company Info
Contact Info
Technical Capability
Certifications
Terms & Conditions
Employment Ops

Gateway Online

Phone: 858.348.6200 FAX: 858.566.4577

Distributors

Find a Rep

Contact Us

Sprite - SD24B1 - 028934 - Yes
(Family) (Model) (Part #) (In Stock)

Electrical Specifications

Operating Voltage:	24 Volts
Voltage Range:	12 - 28 Volts
Power Supply:	3.0 Watts
Line Current:	0.13 Amps
Locked Rotor Current	0.60 Amps
Nominal Speed:	3500 RPM

Mechanical Specifications

Dimensions:	3.1 x 3.1 x 1.7 in
Weight	18.0 oz
Max Airflow @ 0 in H ₂ O	35.0 CFM
Max Pressure @ 0 CFM	0.152 in H ₂ O
Noise	47.6 dBA

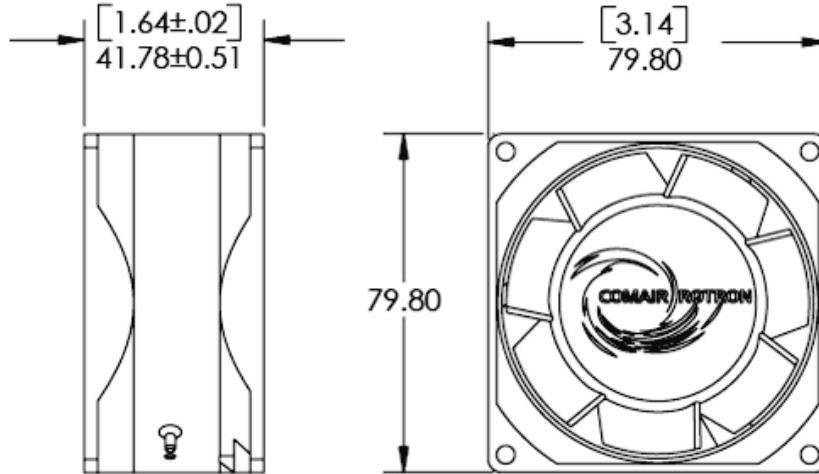


Detailed
Drawing



Printer-Friendly
Datasheet

Mechanical Drawing



Fan Performance Curve

Fan Configuration Options

Sprite (Family)	-	SD24B1 (Model)	-	028934 (Part #)	-	Yes (In Stock)
Fan Speed Options		Fan Bearing Options		Fan Airflow Direction Options		Fan Termination Options
High Speed (4200 RPM)		Ball Bearings		Flow L (CW Rotation)		Leads
Full Speed (3500 RPM)		Sleeve Bearings		Flow R (CCW Rotation)		Terminals
3/4 Speed (2600 RPM)						
1/2 Speed (1700 RPM)						

Fan Monitoring Options

- No Fan Monitoring Options Required**
- Add Tachometer (1 pulses per revolution.)**
- Add Fan Performance Sensor (FPS)**

Fan Speed Control Options

Add ThermaPro-V Fan Speed Control

Environmental Protection Options

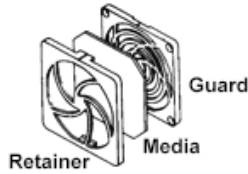
Add Enviroshield Environmental Protection

Accessories (Click on part number for detailed drawing.)

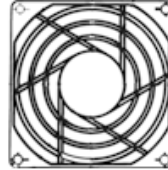
571064
Plug and Cord



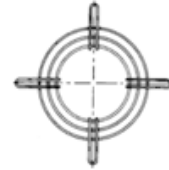
554141
Filter Guard Assembly



550648
Finger Guard



476143
Finger Guard



Comair Rotron, Inc.
Phone: 858.348.6200
FAX: 858.566.4577
sales@comairrotron.com

ThermaFlo, Inc.
Phone: 972.312.8609
FAX: 972.312.8617
info@thermaflo.com

Comair Rotron Europe, Ltd.
Phone: +44.1527.520525
FAX: +44.1527.520565
sales europe@comairrotron.com

Comair Rotron Fan Company Ltd.
Phone: +86.21.52260581
FAX: +86.21.52260597
salesasia@comairrotron.com