

NOTES :

MATERIAL:

-HOUSING: LCP FIBER GLASS FILLED UL 94-V0
COLOR BLACK.

-TERMINAL: PHOSPHOR BRONZE.

PLATING:

POST PLATE 0.00127-0.00152/.000050-.000060 GOLD IN CONTACT AREA, 0.00190/.000075 MIN PURE TIN IN TAIL AREA BOTH OVER 0.00127/.000050 MIN NICKEL OVERALL.

-SHIELD: BRASS PLATED WITH 0.0020/.00078 TIN

2- JACK FOR MATING WITH F.C.C. 68 SHIELDED PLUGS (95043 MOLEX SERIES).

3- PRODUCT SPECIFICATION PS-95540-002 AND PS-85505-001 (SECTION 5.2).

4- PACKAGING SPECIFICATION PK-95022 (TRAY PACKAGING).

5- EXCEEDS CATEGORY 5E PERFORMANCE.

6- PC BOARD THICKNESS: 1.57/.062

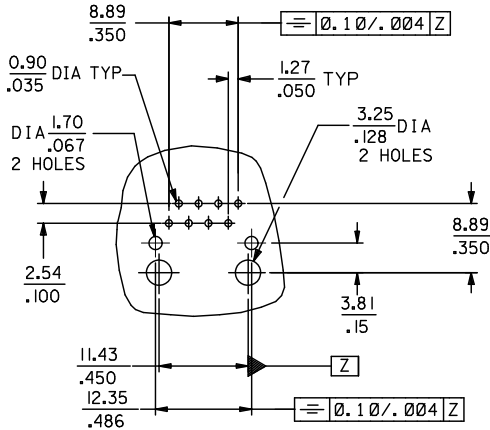
7- MANUFACTURING I.D. CAN BE MG, MXF OR MXI.

8- APPLICATION SPECIFICATION: AS-85513-001

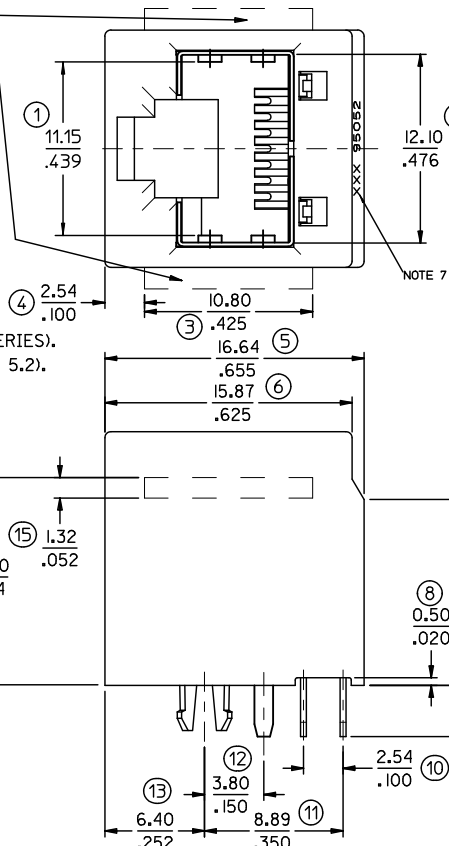
9- LAST INSPECTOR NUMBER 23

P.C.B. MOUNTING PATTERN
(see from component side)
SCALE 2:1

ALL DIMENSIONS REFERENCE ONLY



OPTIONAL RIBS



JACK WITH RIBS
MATERIAL NR.: 85507-5001

JACK WITHOUT RIBS
MATERIAL NR.: 85507-5002

ADDED DIMENSION EC NO: E2011-0087 DRWNSHSEA CHKD: APPR:EFOLAN 2010/08/31 2010/10/08 2010/10/08	QUALITY SYMBOLS ▽=0 ▽=0	GENERAL TOLERANCES (UNLESS SPECIFIED)		DIMENSION STYLE MM/IN		SCALE 4:1	DESIGN UNITS METRIC	THIRD ANGLE PROJECTION	
		4 PLACES ± --- ± --- 3 PLACES ± --- ± .006 2 PLACES ± 0.15 ± .010 1 PLACE ± 0.25 ± ---	mm INCH	DRAWN BY FB	DATE 98/08/05	TITLE TOP ENTRY HIGH SPEED SHIELDED MODULAR JACK THROUGH HOLE 8 CIRCUIT			
		ANGULAR ± 2 °		CHECKED BY FM	DATE 98/08/05	MOLEX INCORPORATED			
		DRAFT WHERE APPLICABLE MUST REMAIN WITHIN DIMENSIONS		APPROVED BY FB	DATE 98/08/05	MATERIAL NO. SEE CHART	DOCUMENT NO. SD-85507-501	SHEET NO. 1 OF 1	