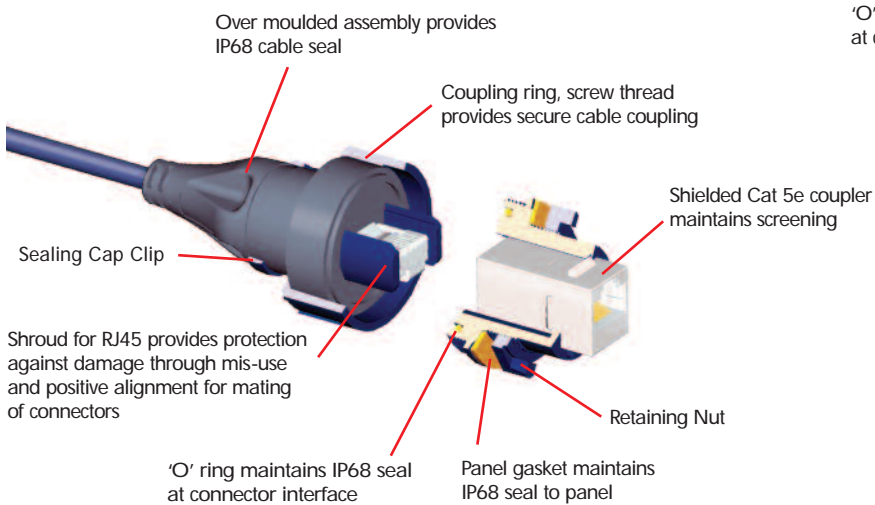
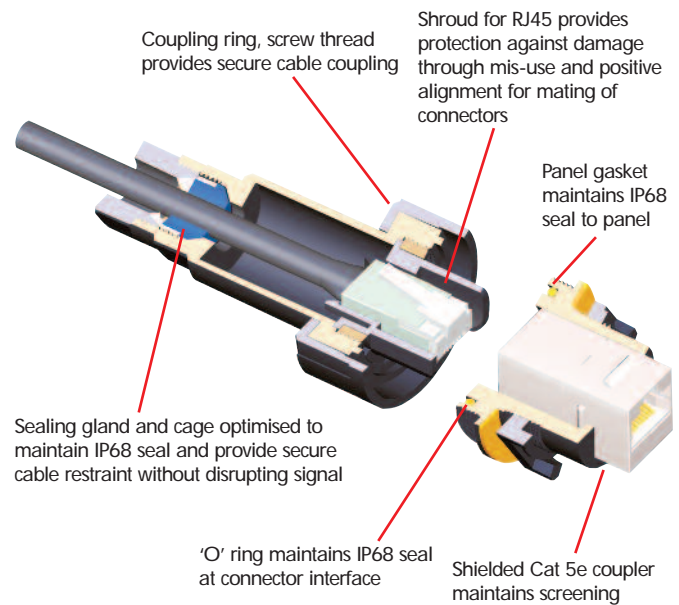


Ethernet Buccaneer®



- IP68 rated
- Cat 5e compliant
- PUR jacket on cable
- Shielded system
- Cat 5e shielded coupler
- Shroud on RJ45
- Screw coupling
- Rewireable flex connector
- PCB mounted panel connector
- IDC termination panel connector
- Earth lead version of panel adaptor
- ▶ Dust and waterproof sealing when mated
- ▶ Data rate up to 100MHz
- ▶ Good chemical resistance, flame retardant
- ▶ High noise immunity and EMI protection
- ▶ Maintains shielding
- ▶ Protection from abuse and mis-mating
- ▶ Secure, proven locking system
- ▶ Ability to 'field' terminate
- ▶ Direct PCB mount panel connector
- ▶ Simple termination
- ▶ Continuous screening of panel mount connector

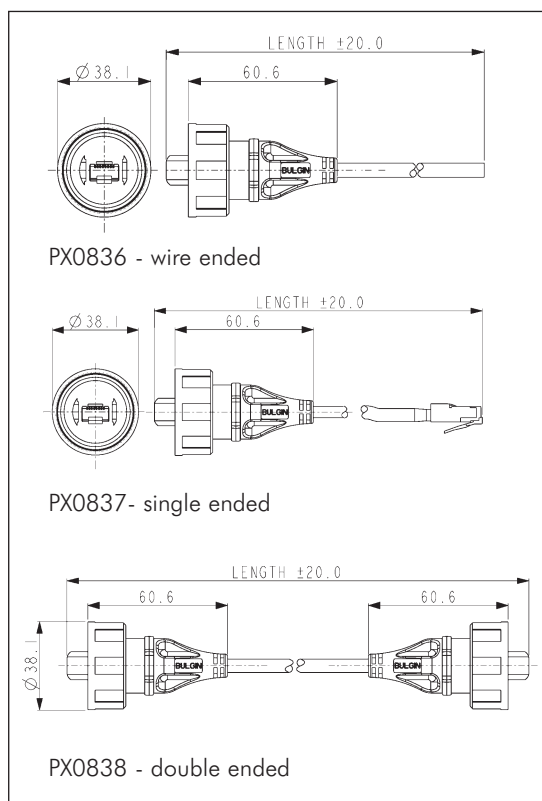
Ethernet Buccaneer®

PATCH CORD FLEX CONNECTOR - PUR JACKET CABLE



PX0836

- Mates with panel mounting connector (PX0833, PX0839/PC & PX0839/IDC)
- Patchcords with IP68 connector
- Supplied with shielded RJ45 plug
- Single or double end terminated
- Standard lengths: 2m, 3m & 5m
- S-FTP cable construction
- PUR jacket cable
- Wiring configuration to 568-B
- Exceeds EIA/TIA Cat 5e



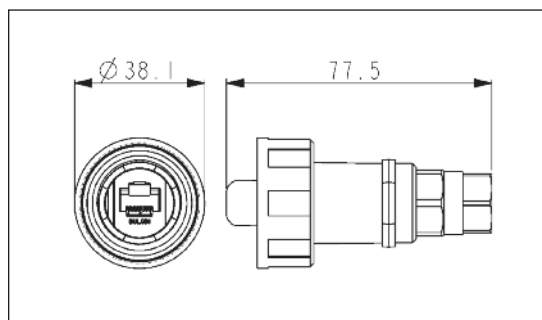
Part no.	Type	Length	Description
PX0836/2M00	Wire end	2m	IP68 RJ Buccaneer to bare end
PX0836/3M00	Wire end	3m	IP68 RJ Buccaneer to bare end
PX0836/5M00	Wire end	5m	IP68 RJ Buccaneer to bare end
PX0837/2M00	Single ended	2m	IP68 RJ Buccaneer to Shielded RJ45
PX0837/3M00	Single ended	3m	IP68 RJ Buccaneer to Shielded RJ45
PX0837/5M00	Single ended	5m	IP68 RJ Buccaneer to Shielded RJ45
PX0838/2M00	Double ended	2m	IP68 RJ Buccaneer to IP68 RJ Buccaneer
PX0838/3M00	Double ended	3m	IP68 RJ Buccaneer to IP68 RJ Buccaneer
PX0838/5M00	Double ended	5m	IP68 RJ Buccaneer to IP68 RJ Buccaneer

RE-WIREABLE FLEX CONNECTOR



PX0834

- Mates with panel mounting connector (PX0833, PX0839/PC & PX0839/IDC)
- Supplied with shielded RJ45 plug
- Two versions:
for PUR jacket cable (Cat 5e)
for other cable sizes from 3.5 to 8mm dia.



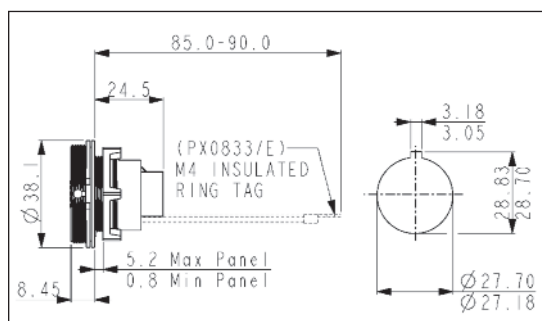
Part no.	Description
PX0834/A	Cable glands optimised for PUR jacket cable to maintain Cat 5e performance
PX0834/B	Suitable for use with cables from 3.5 to 8mm diameter

PANEL MOUNTING CONNECTOR



PX0833

- Cat 5e shielded coupler
- Mates with PX0836, PX0837, PX0838 and PX0834 flex connectors
- Standard patchcord can be plugged into rear
- Version with earth wire available
- Single hole fixing
- Complete with panel sealing gasket



Part no.	Description	Fixing
PX0833	Cat 5e coupler	Front panel mounted
PX0833/E	Cat 5e coupler + earth wire	Front panel mounted

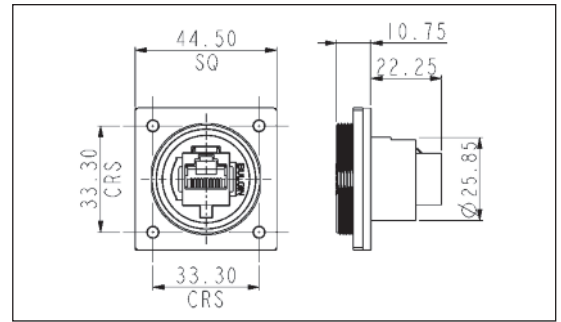
Ethernet Buccaneer®

PANEL MOUNTING CONNECTOR



PX0870

- Cat 5e shielded coupler
- Mates with PX0836, PX0837, PX0838 and PX0834 flex connectors
- Standard RJ45 patchcord can be plugged into rear
- Version with earth wire available
- Flange fixing
- Complete with panel sealing gasket



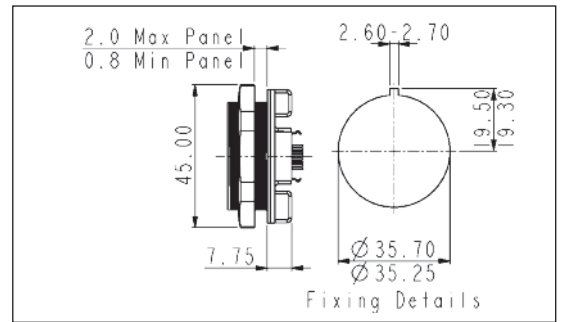
Part no.	Description	Fixing
PX0870	Cat 5e coupler	Flange mounting
PX0870/E	Cat 5e coupler + earth wire	Flange mounting

PCB MOUNTING CONNECTOR

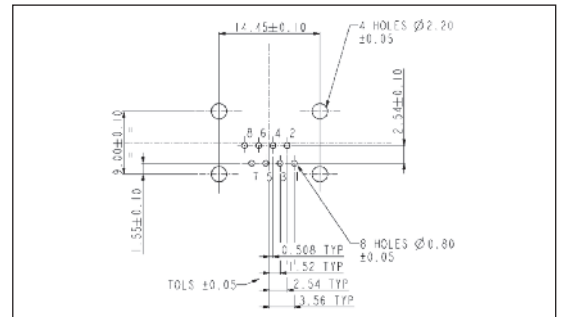


PX0839/PC

- Cat 5e shielded RJ45 interface
- Rear of panel mounted
- Mates with PX0836, PX0837, PX0838 and PX0834 flex connectors
- For direct vertical mounting to PCB, straight pins
- Complete with panel sealing gasket



Part no.	Description	Fixing
PX0839/PC	Cat 5e connector - PC	Rear panel mounted

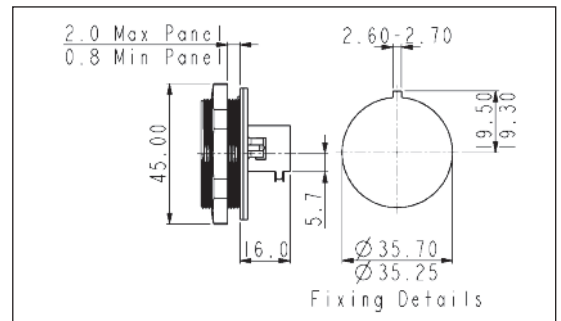


PCB MOUNTING CONNECTOR

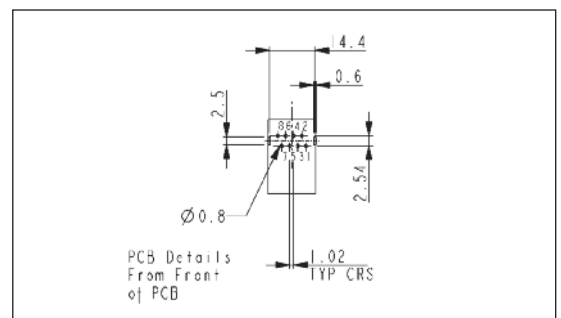


PX0839/90

- Cat 5e shielded RJ45 interface
- Rear of panel mounted
- Mates with PX0836, PX0837, PX0838 and PX0834 flex connectors
- For direct horizontal mounting to PCB, 90° pins
- Complete with panel sealing gasket



Part no.	Description	Fixing
PX0839/90	Cat 5e connector - PC	Rear panel mounted



Ethernet Buccaneer®

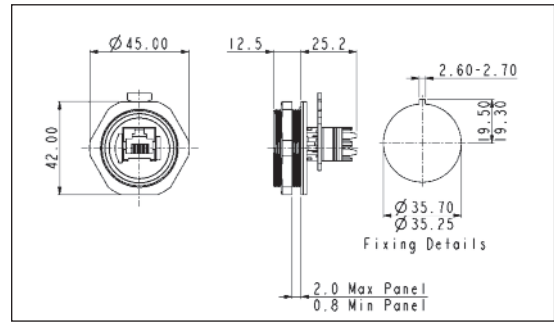
BUCCANEER

PANEL MOUNTING CONNECTOR



PX0839/IDC

- Cat 5e shielded RJ45 interface
- Rear of panel mounted
- Mates with PX0836, PX0837, PX0838 and PX0834 flex connectors
- IDC blocks for discrete termination
- Complete with panel sealing gasket



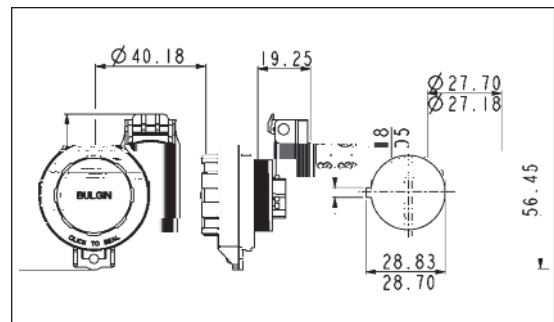
Part no.	Description	Fixing
PX0839/IDC	Cat 5e coupler	Rear panel mounted

SPRUNG LOADED SEALING CAP



PX0713

- IP54 rated
- Sprung loaded
- Clip shut to seal
- For use with front of panel mounting connector types



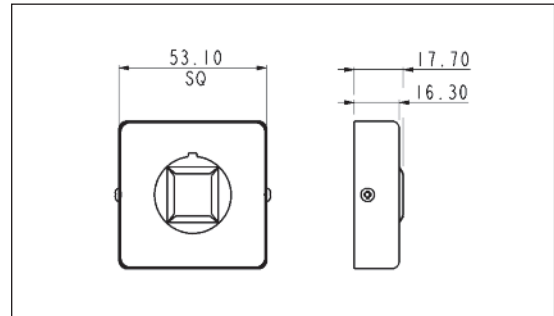
Part no.	Description
PX0713	Sprung loaded sealing cap

SHIELDING BACK SHELL ACCESSORY



PX0888

- Maintains screening directly to panel
- Can be fixed to rear of panel mount connector
- For use on PX0833



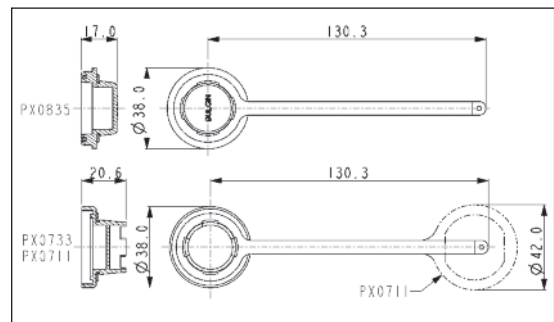
Part no.	Description
PX0888	Shielding backshell accessory

ACCESSORIES



Sealing Caps

- Sealing caps to maintain IP68 rating when connectors are not in use
- Replacement shielded RJ45s
- Hand crimp tool for shielded RJ45
- Patch cord cable available in 50m reels



Part no.	Description
PX0835	Sealing Cap for flex connectors (PX0834, PX0836-838)
PX0733	Sealing Cap for panel mounting connector (PX0833)
PX0711	Sealing Cap for rear panel mounting connector (PX0839)
14151	Hand crimp tooling + die set
14199	PUR Jacket Cable - 50m reel
14150	Replacement shielded RJ45

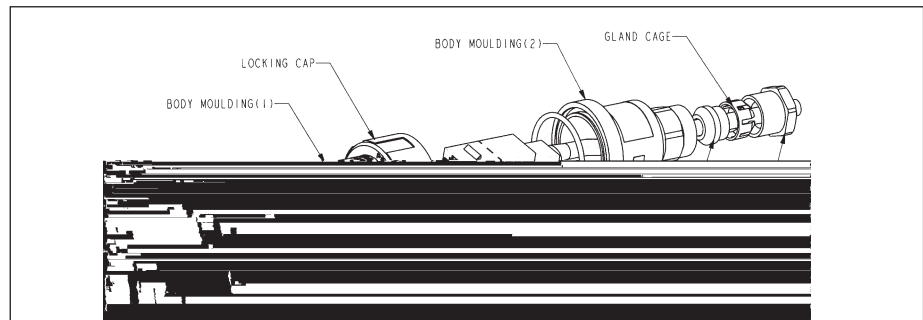
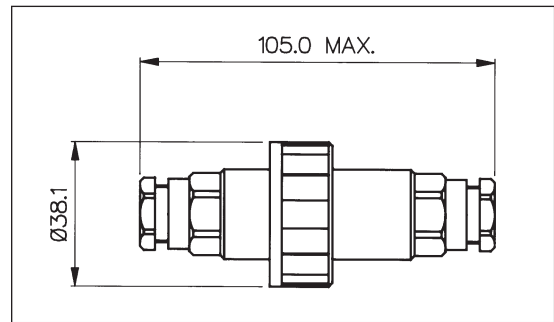
Cable construction

Ethernet Buccaneer®

CABLE JOINER



- IP68 Rating
- For Sealed In-Line RJ45 Connections
- Supplied Complete with Coupler
- Shielded (STP) & Unshielded (UTP) versions
- Cat5e Shielded Coupler also available
- Cable Range 3.5 - 8mm (with glands supplied)



Specification	PX0777/UTP	PX0777/STP	PX0777/CAT5ESTP
Rating:	1.5A, 30V a.c., 42V d.c.	1.5A, 30V a.c., 42V d.c.	1.5A, 30V a.c., 42V d.c.
No. of Conductors:	8	8	8
Coupler Type:	Unshielded	Shielded	Shielded CAT5e performance
Cable Range:	3.5 - 8mm (with glands supplied)	3.5 - 8mm (with glands supplied)	3.5 - 8mm (with glands supplied)
Material:	Glass Filled Polyamide UL94V-0	Glass Filled Polyamide UL94V-0	Glass Filled Polyamide UL94V-0
Sealing:	IP68 to BSEN 60529 : 1977	IP68 to BSEN 60529 : 1977	IP68 to BSEN 60529 : 1977
Operating Temp. Range:	-20°C to +70°C	-20°C to +70°C	-20°C to +70°C
Colour:	Black	Black	Black
RoHS	Compliant	Compliant	Compliant