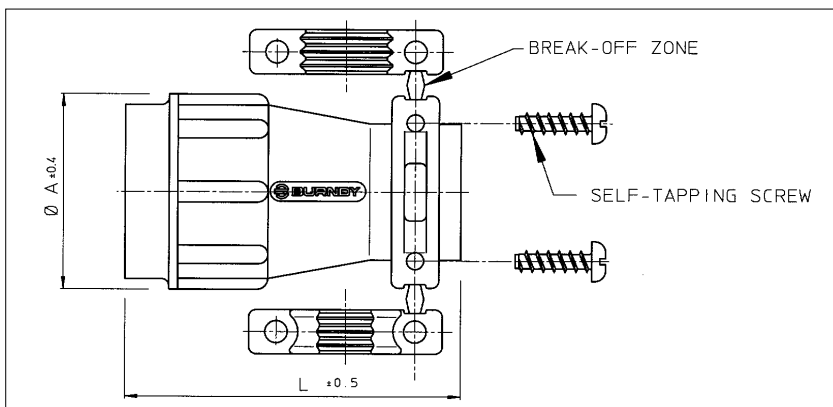


# Circular accessories



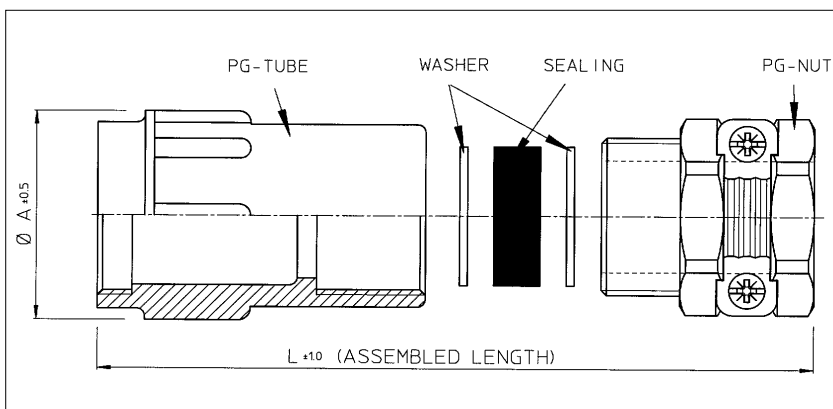
## Plastic cable clamp with strain relief (UTG--AC)



| Part number    | Shell size | Cable range $\varnothing$ | $\varnothing A \pm 0.4$ | $L \pm 0.5$ |
|----------------|------------|---------------------------|-------------------------|-------------|
| <b>UTG10AC</b> | <b>10</b>  | 3.0 - 8.7                 | 21.0                    | 40.0        |
| <b>UTG12AC</b> | <b>12</b>  | 3.0 - 12.8                | 24.0                    | 40.0        |
| <b>UTG14AC</b> | <b>14</b>  | 4.0 - 13.8                | 27.0                    | 46.0        |
| <b>UTG16AC</b> | <b>16</b>  | 5.0 - 17.0                | 30.2                    | 46.0        |
| <b>UTG18AC</b> | <b>18</b>  | 5.0 - 19.0                | 33.3                    | 50.0        |
| <b>UTG20AC</b> | <b>20</b>  | 5.0 - 21.0                | 36.5                    | 55.0        |
| <b>UTG22AC</b> | <b>22</b>  | 5.0 - 23.0                | 39.7                    | 60.0        |
| <b>UTG24AC</b> | <b>24</b>  | 8.0 - 27.0                | 42.9                    | 65.0        |

For threading specifications see last page of this section "Circular accessories"

## Plastic cable clamp with strain relief nut for waterprotected (IP65) applications (UTG--PG)

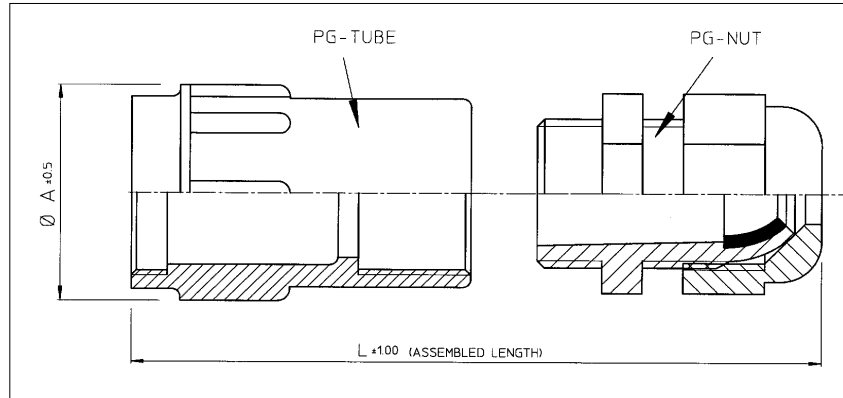


| Part number    | Shell size | Sealing*<br>outer dia x inner dia's | $L \pm 1$ | $A \pm 0.5$ |
|----------------|------------|-------------------------------------|-----------|-------------|
| <b>UTG10PG</b> | <b>10</b>  | 13.5 x 5 x 8                        | 54        | 21.0        |
| <b>UTG12PG</b> | <b>12</b>  | 16 x 7 x 10.5 x 13 x 16             | 57        | 24.0        |
| <b>UTG14PG</b> | <b>14</b>  | 18.5 x 7 x 10.5 x 13 x 16           | 62        | 27.0        |
| <b>UTG16PG</b> | <b>16</b>  | 20.5 x 8 x 10.5 x 13 x 16           | 68        | 30.2        |
| <b>UTG18PG</b> | <b>18</b>  | 20.5 x 8 x 10.5 x 13 x 16           | 71        | 33.3        |
| <b>UTG20PG</b> | <b>20</b>  | 26 x 11 x 15 x 18 x 22              | 82        | 36.5        |
| <b>UTG22PG</b> | <b>22</b>  | 26 x 11 x 15 x 18 x 22              | 88        | 39.7        |
| <b>UTG24PG</b> | <b>24</b>  | 35 x 19 x 23 x 27 x 31              | 103       | 42.9        |

\*In order to accommodate different cable dia's, the sealing exists of different layers which can be pulled out easily. Cable clamp has a PG style cable gland. For threading specifications see last page of this section "Circular accessories"



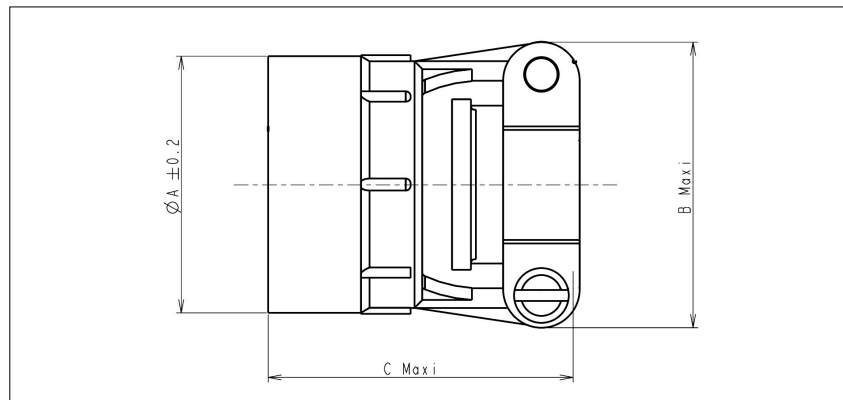
## Plastic cable clamp with strain relief nut for waterprotected (IP65) applications (UTG--ST)



| Part number | Shell size | Cable range | Dia. A ± 0.5 | L ± 1 |
|-------------|------------|-------------|--------------|-------|
| UTG10ST     | 10         | 2 - 6       | 21.0         | 64    |
| UTG12ST     | 12         | 3 - 7       | 24.0         | 64    |
| UTG14ST     | 14         | 6 - 9       | 27.0         | 69    |
| UTG16ST     | 16         | 7 - 12      | 30.2         | 72    |
| UTG18ST     | 18         |             | 33.3         | 76    |
| UTG20ST     | 20         | 9 - 16      | 36.5         | 80    |
| UTG22ST     | 22         |             | 39.7         | 86    |
| UTG24ST     | 24         | 13 - 20     | 42.9         | 91    |

Cable clamp has a PG style cable gland. For threading specifications see last page of this section "Circular"

## Metal cable clamp with strain relief (UT0--AC)

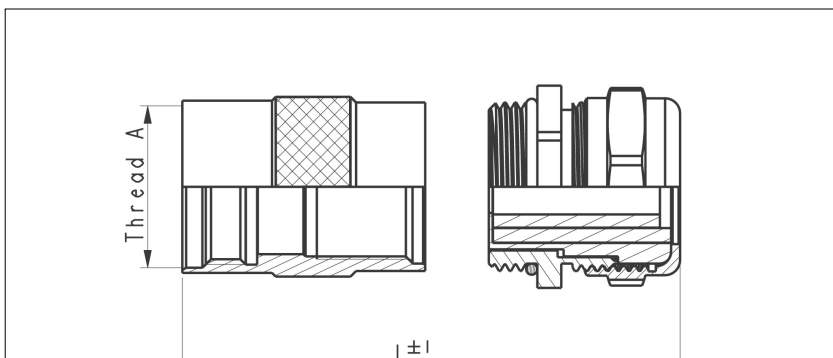


| Part number | Shell size | Max cable dia. Excl. sealing | Ø A ±0.2 | B maxi | C maxi |
|-------------|------------|------------------------------|----------|--------|--------|
| UT010AC     | 10         | 5.0                          | 16.3     | 21.6   | 31.0   |
| UT012AC     | 12         | 8.2                          | 19.4     | 25.0   | 31.5   |
| UT014AC     | 14         | 10.0                         | 22.5     | 27.4   | 34.0   |
| UT016AC     | 16         | 13.0                         | 25.8     | 29.4   | 34.0   |
| UT018AC     | 18         | 16.0                         | 29.2     | 35.2   | 31.4   |
| UT020AC     | 20         | 16.0                         | 32.5     | 35.2   | 32.0   |
| UT022AC     | 22         | 19.3                         | 35.7     | 41.1   | 31.0   |
| UT024AC     | 24         | 20.6                         | 38.8     | 42.4   | 31.0   |

For threading specifications see last page of this section "Circular accessories"



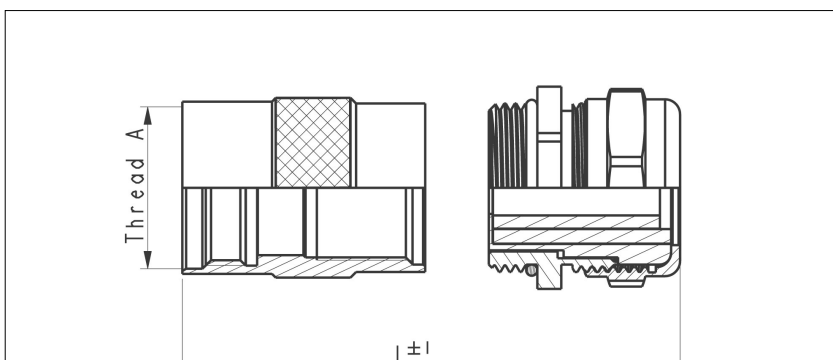
**Short cable clamp with strain relief nut for waterprotected applications (IP68). (UT0--JCS)**  
**Long cable clamp with strain relief nut for waterprotected applications (IP68). (UT0--JC)**



| Part number   |              | Shell size | Clamping range<br>(Ø en mm) min / max | L ± 1         |              | Thread A                   |
|---------------|--------------|------------|---------------------------------------|---------------|--------------|----------------------------|
| Short version | Long version |            |                                       | Short version | Long version |                            |
| UT010JCS      | UT010JC      | 10         | 03 / 06                               | 48.5          | 60.5         | 9/16 – 24 UNEF Class 2A    |
| UT012JCS      | UT012JC      | 12         | 06 / 10                               | 49.5          | 61.5         | 11/16 – 24 UNEF Class 2A   |
| UT014JCS      | UT014JC      | 14         | 06 / 10                               | 53.5          | 67.5         | 13/16 – 20 UNEF Class 2A   |
| UT016JCS      | UT016JC      | 16         | 9.5 / 14                              | 62.5          | 73.5         | 15/16 – 20 UNEF Class 2A   |
| UT018JCS      | UT018JC      | 18         | 9.5 / 14                              | 65.5          | 76.0         | 1" 1/16 – 18 UNEF Class 2A |
| UT020JCS      | UT020JC      | 20         | 11.5 / 18                             | 70.5          | 84.0         | 1" 3/16 – 18 UNEF Class 2A |
| UT022JCS      | UT022JC      | 22         | 11.5 / 18                             | 76.5          | 88.0         | 1" 5/16 – 18 UNEF Class 2A |
| UT024JCS      | UT024JC      | 24         | 11.5 / 18                             | 82.0          | 92.0         | 1" 7/16 – 18 UNEF Class 2A |

Cable clamp has a Metric style cable gland. For threading specifications see last page of this section "Circular accessories"

**Short cable clamp with large strain relief nut for waterprotected applications (IP68). (UT0--JCSL)**  
**Long cable clamp with large strain relief nut for waterprotected applications (IP68). (UT0--JCL)**

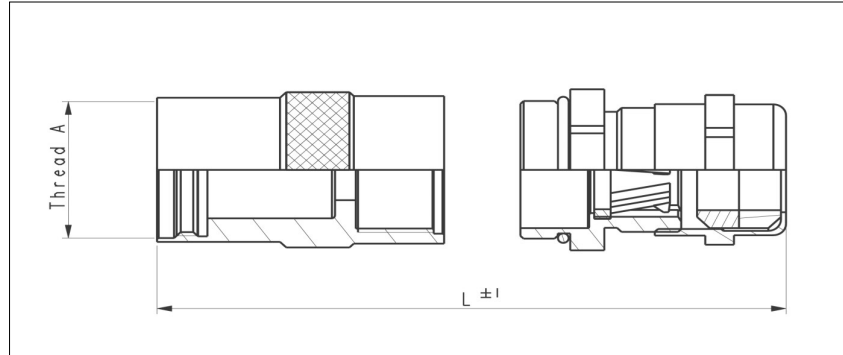


| Part number   |              | Shell size | Clamping range<br>(Ø en mm) min / max | L ± 1         |              | Thread A                   |
|---------------|--------------|------------|---------------------------------------|---------------|--------------|----------------------------|
| Short version | Long version |            |                                       | Short version | Long version |                            |
| UT010JCSL     | UT010JCL     | 10         | 05 / 08                               | 49.5          | 61.5         | 9/16 – 24 UNEF Class 2A    |
| UT012JCSL     | UT012JCL     | 12         | 08 / 12                               | 49.5          | 62.5         | 11/16 – 24 UNEF Class 2A   |
| UT014JCSL     | UT014JCL     | 14         | 08 / 12                               | 54.5          | 68.5         | 13/16 – 20 UNEF Class 2A   |
| UT016JCSL     | UT016JCL     | 16         | 11.5 / 18                             | 68.5          | 79.5         | 15/16 – 20 UNEF Class 2A   |
| UT018JCSL     | UT018JCL     | 18         | 11.5 / 18                             | 71.5          | 82.0         | 1" 1/16 – 18 UNEF Class 2A |
| UT020JCSL     | UT020JCL     | 20         | 15 / 24                               | 77.5          | 91.0         | 1" 3/16 – 18 UNEF Class 2A |
| UT022JCSL     | UT022JCL     | 22         | 15 / 24                               | 83.5          | 95.0         | 1" 5/16 – 18 UNEF Class 2A |
| UT024JCSL     | UT024JCL     | 24         | 15 / 24                               | 89.0          | 99.0         | 1" 7/16 – 18 UNEF Class 2A |

Cable clamp has a Metric style cable gland. For threading specifications see last page of this section "Circular accessories"



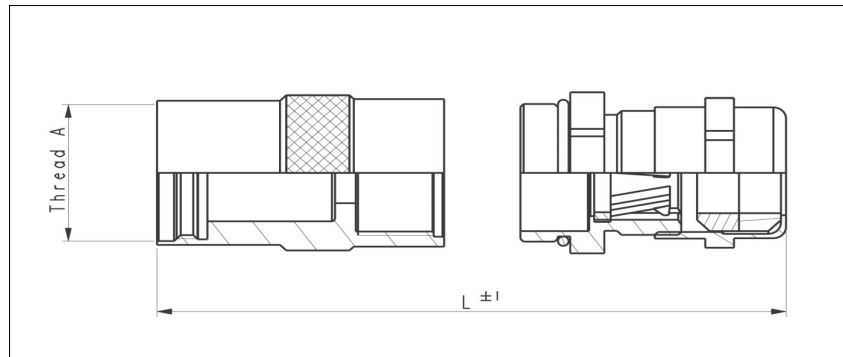
**Short shielded cable clamp with strain relief nut for waterprotected applications (IP68). (UT0S----JCS)**  
**Long shielded cable clamp with strain relief nut for waterprotected applications (IP68). (UT0S----JC)**



| Part number   |              | Shell size | Clamping range<br>(Ø en mm) min / max | L ± 1         |              | Thread A                   |
|---------------|--------------|------------|---------------------------------------|---------------|--------------|----------------------------|
| Short version | Long version |            |                                       | Short version | Long version |                            |
| UT0S10JCS     | UT0S10JC     | 10         | 04 / 6.5                              | 58.5          | 70.5         | 9/16 – 24 UNEF Class 2A    |
| UT0S12JCS     | UT0S12JC     | 12         | 07 / 10.5                             | 61.5          | 74.5         | 11/16 – 24 UNEF Class 2A   |
| UT0S14JCS     | UT0S14JC     | 14         | 07 / 10.5                             | 66.5          | 80.5         | 13/16 – 20 UNEF Class 2A   |
| UT0S16JCS     | UT0S16JC     | 16         | 10 / 14.5                             | 72.5          | 83.5         | 15/16 – 20 UNEF Class 2A   |
| UT0S18JCS     | UT0S18JC     | 18         | 10 / 14.5                             | 75.5          | 86.0         | 1" 1/16 – 18 UNEF Class 2A |
| UT0S20JCS     | UT0S20JC     | 20         | 13.5 / 18                             | 84.5          | 97.5         | 1" 3/16 – 18 UNEF Class 2A |
| UT0S22JCS     | UT0S22JC     | 22         | 13.5 / 18                             | 90.0          | 101.5        | 1" 5/16 – 18 UNEF Class 2A |
| UT0S24JCS     | UT0S24JC     | 24         | 13.5 / 18                             | 95.5          | 105.5        | 1" 7/16 – 18 UNEF Class 2A |

Cable clamp has a Metric style cable gland. For threading specifications see last page of this section "Circular accessories"

**Short shielded cable clamp with large strain relief nut for waterprotected applications (IP68). (UT0S----JCSL)**  
**Long shielded cable clamp with large strain relief nut for waterprotected applications (IP68). (UT0S----JCL)**

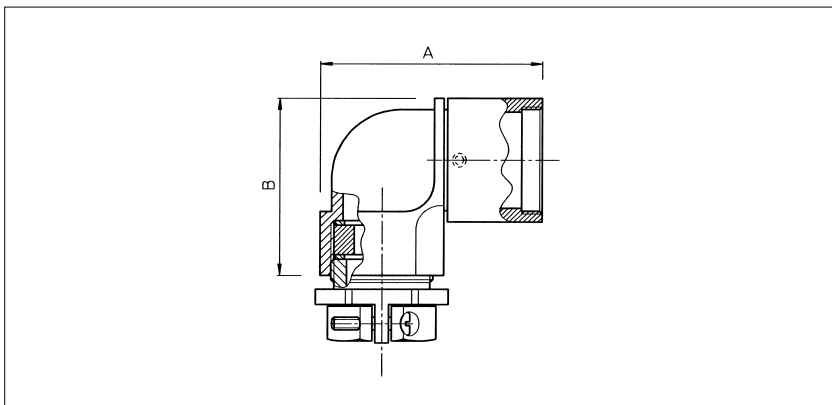


| Part number   |              | Shell size | Clamping range<br>(Ø en mm) min / max | L ± 1         |              | Thread A                   |
|---------------|--------------|------------|---------------------------------------|---------------|--------------|----------------------------|
| Short version | Long version |            |                                       | Short version | Long version |                            |
| UT0S10JCSL    | UT0S10JCL    | 10         | 05 / 8.5                              | 59.5          | 71.5         | 9/16 – 24 UNEF Class 2A    |
| UT0S12JCSL    | UT0S12JCL    | 12         | 08 / 12.5                             | 61.5          | 74.5         | 11/16 – 24 UNEF Class 2A   |
| UT0S14JCSL    | UT0S14JCL    | 14         | 08 / 12.5                             | 66.5          | 80.5         | 13/16 – 20 UNEF Class 2A   |
| UT0S16JCSL    | UT0S16JCL    | 16         | 13.5 / 18                             | 82.5          | 93.5         | 15/16 – 20 UNEF Class 2A   |
| UT0S18JCSL    | UT0S18JCL    | 18         | 13.5 / 18                             | 85.5          | 96.0         | 1" 1/16 – 18 UNEF Class 2A |
| UT0S20JCSL    | UT0S20JCL    | 20         | 17 / 24                               | 93.0          | 106.5        | 1" 3/16 – 18 UNEF Class 2A |
| UT0S22JCSL    | UT0S22JCL    | 22         | 17 / 24                               | 99.0          | 110.5        | 1" 5/16 – 18 UNEF Class 2A |
| UT0S24JCSL    | UT0S24JCL    | 24         | 17 / 24                               | 104.5         | 114.5        | 1" 7/16 – 18 UNEF Class 2A |

Cable clamp has a Metric style cable gland. For threading specifications see last page of this section "Circular accessories"



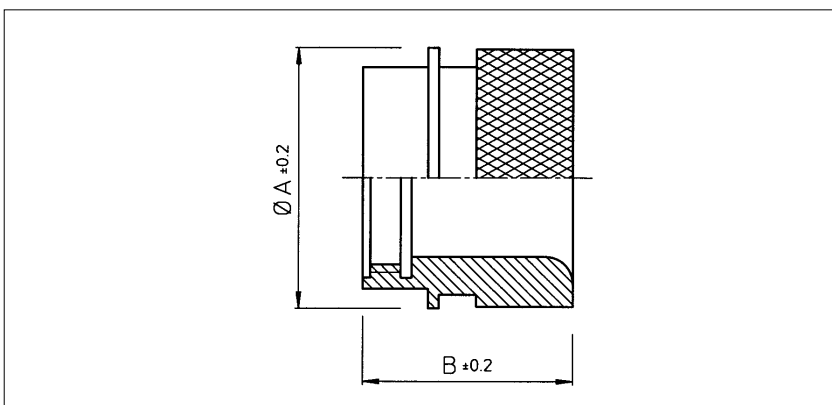
## Metal right angle cable clamp with strain relief nut (UTG--LPGN / UTO--LPGN)



| Part number For UTP / UTG | Part number For UTO / UTOW | Shell size | A max | B max | Cable range               |
|---------------------------|----------------------------|------------|-------|-------|---------------------------|
| <b>UTG10LPGN</b>          | <b>UTO10LPGN</b>           | <b>10</b>  | 48.0  | 30.0  | 13.5 x 5 x 8              |
| <b>UTG12LPGN</b>          | <b>UTO12LPGN</b>           | <b>12</b>  | 50.0  | 33.5  | 16 x 7 x 10.5 x 13        |
| <b>UTG14LPGN</b>          | <b>UTO14LPGN</b>           | <b>14</b>  | 52.0  | 36.5  | 18.5 x 7 x 10.5 x 13 x 16 |
| <b>UTG16LPGN</b>          | <b>UTO16LPGN</b>           | <b>16</b>  | 55.0  | 39.5  | 20.5 x 8 x 10.5 x 13 x 16 |
| <b>UTG18LPGN</b>          | <b>UTO18LPGN</b>           | <b>18</b>  | 60.0  | 46.0  | 20.5 x 8 x 10.5 x 13 x 16 |
| <b>UTG20LPGN</b>          | <b>UTO20LPGN</b>           | <b>20</b>  | 58.0  | 47.0  | 26 x 11 x 15 x 18 x 22    |
| <b>UTG22LPGN</b>          | <b>UTO22LPGN</b>           | <b>22</b>  | 58.0  | 48.5  | 26 x 11 x 15 x 18 x 22    |
| <b>UTG24LPGN</b>          | <b>UTO24LPGN</b>           | <b>24</b>  | 67.0  | 54.5  | 35 x 19 x 23 x 27 x 31    |

Cable clamp has a PG style cable gland. For threading specifications see last page of this section "Circular accessories"

## Metal shrink boot adaptor (UTG--AD) for UTP and UTG

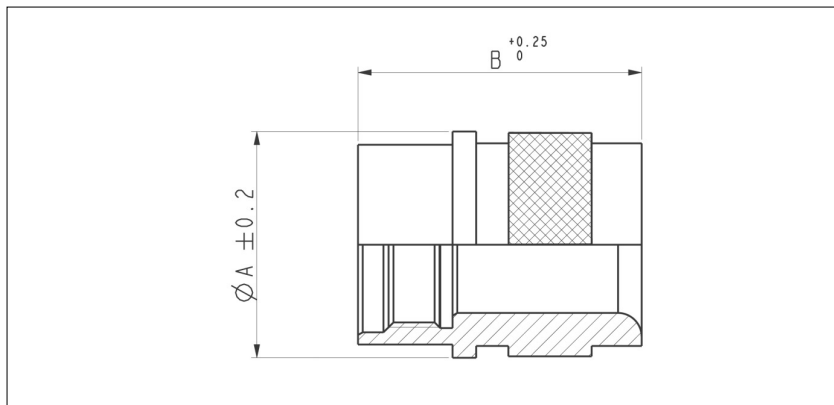


| Part number    | Shell size | Ø A ±0.2 | B    |
|----------------|------------|----------|------|
| <b>UTG10AD</b> | <b>10</b>  | 21.0     | 19.2 |
| <b>UTG12AD</b> | <b>12</b>  | 24.0     |      |
| <b>UTG14AD</b> | <b>14</b>  | 27.0     |      |
| <b>UTG16AD</b> | <b>16</b>  | 30.0     | 21.5 |
| <b>UTG18AD</b> | <b>18</b>  | 33.3     | 22.8 |
| <b>UTG20AD</b> | <b>20</b>  | 36.5     |      |
| <b>UTG22AD</b> | <b>22</b>  | 39.7     |      |
| <b>UTG24AD</b> | <b>24</b>  | 42.9     | 21.9 |

Standard plating is anodised black. For tin plating add "T" at the end of the part number e.g. UTG12ADT  
For threading specifications see last page of this section "Circular accessories"



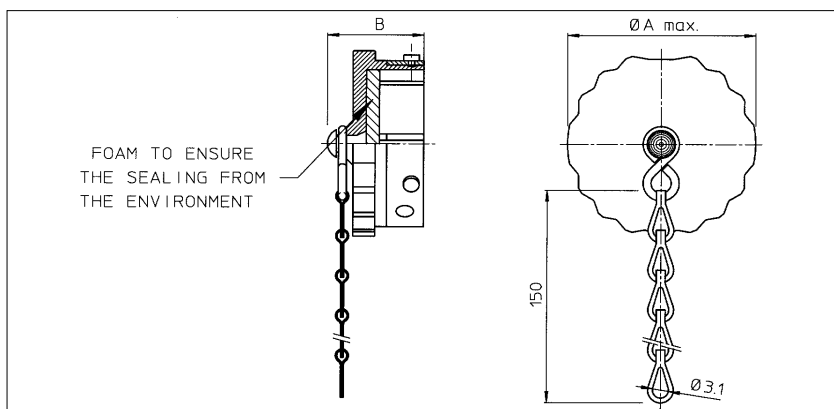
## Metal shrink boot adaptor for UTO and UTOW



| Part number    | Shell size | $\varnothing A^{+0.2}$ | B    |
|----------------|------------|------------------------|------|
| <b>UT010AD</b> | <b>10</b>  | 21                     | 24.7 |
| <b>UT012AD</b> | <b>12</b>  | 24                     |      |
| <b>UT014AD</b> | <b>14</b>  | 27                     |      |
| <b>UT016AD</b> | <b>16</b>  | 30                     | 27   |
| <b>UT018AD</b> | <b>18</b>  | 33.3                   |      |
| <b>UT020AD</b> | <b>20</b>  | 36.5                   |      |
| <b>UT022AD</b> | <b>22</b>  | 39.7                   |      |
| <b>UT024AD</b> | <b>24</b>  | 42.9                   |      |

For threading specifications see last page of this section "Circular accessories"

## Environmental dustcap for plugs (UTG6--DCG)



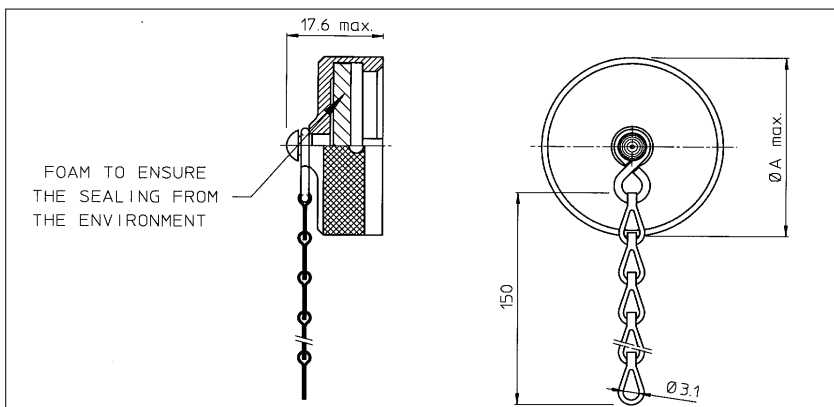
| Part number      | Shell size | A max. | B    |
|------------------|------------|--------|------|
| <b>UTG610DCG</b> | <b>10</b>  | 20.0   | 20.8 |
| <b>UTG612DCG</b> | <b>12</b>  | 24.0   |      |
| <b>UTG614DCG</b> | <b>14</b>  | 27.5   |      |
| <b>UTG616DCG</b> | <b>16</b>  | 30.5   | 22.5 |
| <b>UTG618DCG</b> | <b>18</b>  | 33.5   |      |
| <b>UTG620DCG</b> | <b>20</b>  | 36.5   |      |
| <b>UTG622DCG</b> | <b>22</b>  | 40.0   |      |
| <b>UTG624DCG</b> | <b>24</b>  | 43.0   |      |

For dustcap without chain skip "G" e.g. UTG612DC

# Circular accessories



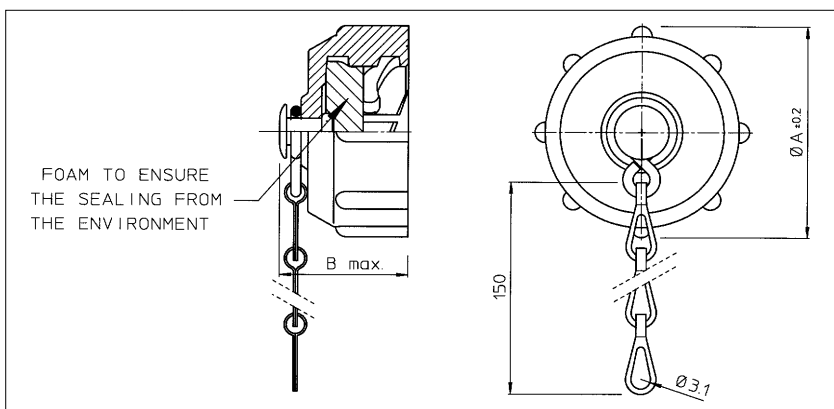
## Metal environmental dustcap for receptacles (UTO--DCG)



| Part number     | Shell size | A max. |
|-----------------|------------|--------|
| <b>UTO10DCG</b> | <b>10</b>  | 20.8   |
| <b>UTO12DCG</b> | <b>12</b>  | 24.9   |
| <b>UTO14DCG</b> | <b>14</b>  | 28.1   |
| <b>UTO16DCG</b> | <b>16</b>  | 31.3   |
| <b>UTO18DCG</b> | <b>18</b>  | 34.4   |
| <b>UTO20DCG</b> | <b>20</b>  | 37.6   |
| <b>UTO22DCG</b> | <b>22</b>  | 40.8   |
| <b>UTO24DCG</b> | <b>24</b>  | 43.9   |

For dustcap without chain skip "G" e.g. UTG12DC  
For jam dustcap consult factory

## Plastic environmental dustcap for receptacles (UTP--DCG)

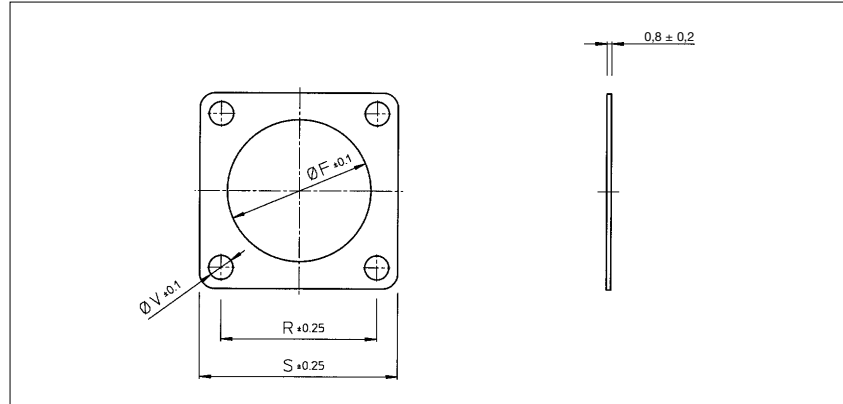


| Part number     | Shell size | Ø A ±0.2 | B max. |
|-----------------|------------|----------|--------|
| <b>UTP10DCG</b> | <b>10</b>  | 26.7     | 19.3   |
| <b>UTP12DCG</b> | <b>12</b>  | 31.4     | 20.0   |
| <b>UTP14DCG</b> | <b>14</b>  | 34.5     | 20.2   |
| <b>UTP16DCG</b> | <b>16</b>  | 37.8     |        |
| <b>UTP18DCG</b> | <b>18</b>  | 40.8     | 21.8   |
| <b>UTP20DCG</b> | <b>20</b>  | 43.9     |        |
| <b>UTP22DCG</b> | <b>22</b>  | 47.0     |        |
| <b>UTP24DCG</b> | <b>24</b>  | 50.1     |        |

For dustcap without chain skip "G" e.g. UTP12DC  
For jam dustcap consult factory

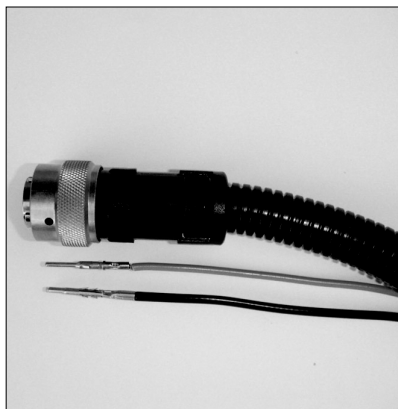


## Sealing for wall mounting receptacle (UTFD1-B)



| Part number    | Shell size | Ø F ±0.1 | R ±0.25 | S ±0.25 | Ø V |
|----------------|------------|----------|---------|---------|-----|
| <b>UTFD12B</b> | <b>10</b>  | 15.9     | 18.3    | 23.8    | 3.3 |
| <b>UTFD13B</b> | <b>12</b>  | 19.0     | 20.6    | 26.2    |     |
| <b>UTFD14B</b> | <b>14</b>  | 22.2     | 23.0    | 28.6    |     |
| <b>UTFD15B</b> | <b>16</b>  | 25.4     | 24.6    | 31.0    |     |
| <b>UTFD16B</b> | <b>18</b>  | 28.6     | 27.0    | 33.3    |     |
| <b>UTFD17B</b> | <b>20</b>  | 31.8     | 29.4    | 36.5    |     |
| <b>UTFD18B</b> | <b>22</b>  | 34.9     | 31.8    | 39.7    | 4.0 |
| <b>UTFD19B</b> | <b>24</b>  | 38.1     | 34.9    | 42.9    |     |

## Adaptors for flexible cable protection systems (conduits)



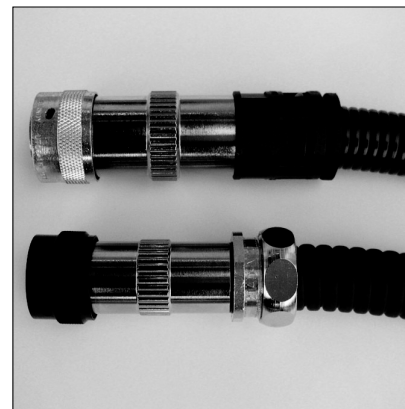
Adaptors for flexible cable protections systems that fit to the TRIM TRIO circular connectors are available from cable protection systems manufacturers (e.g. PMA).

2 solutions are offered:

- UNEF Adaptors that fit directly onto the connectors (left picture)
- METRIC Adaptors that fit onto the metal cable clamp tubes as indicated on pages 43 and 44 (right picture)

These types of adaptors offer extra protection to single wire applications (electrical, coax, Fibre optic ... etc.)

Note: the adaptors are not available from Souriau. They must be ordered directly from the manufacturers



## Cable gland threadings used on cable clamps

| Shell size | Thread size on connectors | PG threading | Metric threading |
|------------|---------------------------|--------------|------------------|
| <b>10</b>  | 9/16 - 24 UNEF            | PG9          | M16 x 1.5        |
| <b>12</b>  | 11/16 - 24 UNEF           | PG11         | M20 x 1.5        |
| <b>14</b>  | 13/16 - 20 UNEF           | PG13.5       | M20 x 1.5        |
| <b>16</b>  | 15/16 - 20 UNEF           | PG16         | M25 x 1.5        |
| <b>18</b>  | 1-1/16 - 18 UNEF          | PG16         | M25 x 1.5        |
| <b>20</b>  | 1-3/16 - 18 UNEF          | PG21         | M32 x 1.5        |
| <b>22</b>  | 1-5/16 - 18 UNEF          | PG21         | M32 x 1.5        |
| <b>24</b>  | 1-7/16 - 18 UNEF          | PG29         | M32 x 1.5        |