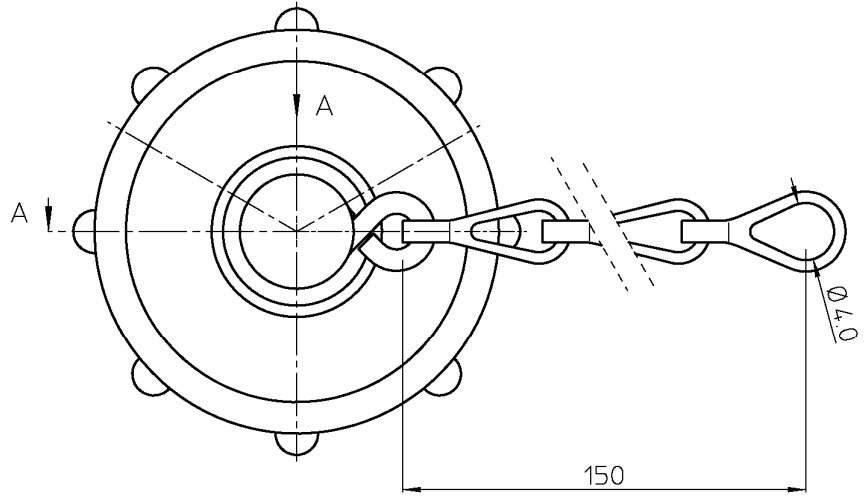


DIT IS ONZE EIGENDOM EN MAG NIET NAGEMAAKT, HERDRUKT, OVERGEMAAKT, AAN DERDEN, NOCH VOOR FABRIKATIE GEBRUIKT WORDEN, ZONDER ONZE SCHRIFTELIJKE TOELATING. BIJ NIET GEBRUIK IS DE TERUGZENDING VERPLICHT.

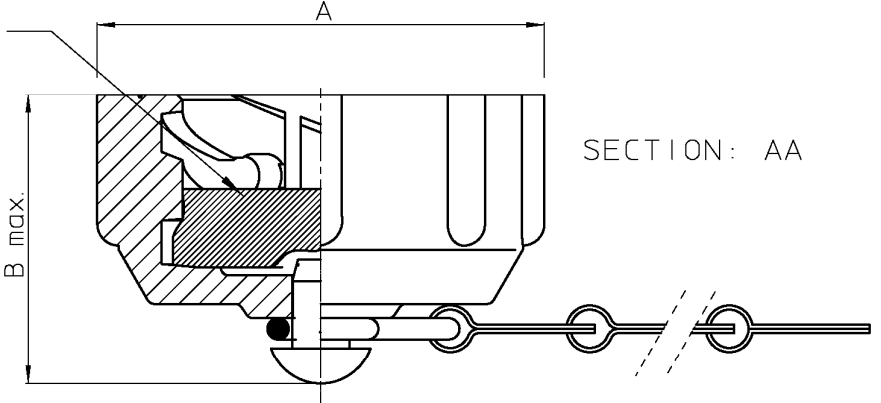
THIS IS OUR EXCLUSIVE PROPERTY. IT IS NOT TO BE COPIED, REPRINTED OR DISCLOSED TO A THIRD PARTY, NOR USED FOR MANUFACTURING WITHOUT OUR WRITTEN CONSENT, AND HAS TO BE RETURNED TO US IN CASE OF NO USAGE

REV.	DATE	DESCRIPTION	BY	C'K'D'
01	270195	SIZE 10 ADDED	J.G.	
02	090695	BEC 9.3267	J.G.	
03	13.01.97	ADDED DIMENSION B AND FOAM NOTE	S.V.D.	
04	18.04.01	BEC 9.3557	N.L.	

SIZE	A	B
10	26.7	20.3
12	31.4	21.0
14	34.5	21.2
16	37.8	21.2
18	40.8	21.2
20	43.9	21.2
22	47.0	21.2
24	50.1	22.8



FOAM WILL BE PUSHED TOGETHER BY ASSEMBLY ON THE RECEPTACLE CONECTOR



UTP12DCG AS SHOWN
 -- = SIZE : 10, 12, 14, 16, 18, 20, 22, 24

MATERIAL :

- CAP : GLASS-REINFORCED THERMOPLASTIC
- SEALING : FOAM-RUBBER
- CHAIN : BRASS (NICKEL PLATED)
- FASTENING RIVET : STAINLESS STEEL ∇

PERFORMANCE CHARACTERISTICS :

OPERATING TEMPERATURE : -25 °C TO +125°C

NOTE :

DUSTCAP WITHOUT CHAIN OPTIONAL : CAT N° : UTP--DC

BS, A , 201883, 000, 04

GEN. ST.	01	02	03	04	05	06	07	08	0D	50	60	70	80	90																	
INT. ST.	10	11	12	13	14	18	20	31	32	33	34	38	39	40	42	43	44	45	46	48	56	70	72	73	75	76	81	82	83	84	88

1DEC ±0,2 1DEC 2DEC ±0,1 2DEC ANGLES ±1° HOEKEN	APPR. DRAFT	DATE 17-11-94	SIGN. J. GOOSSENS	DUSTCAP FOR UT[P/G/O][0/1/7/]- CAT. No. UTP--DC(G)
	PROD. MGR. PR. ENG. MGR.	REFERENCES / REFERENTIES		
WE RESERVE THE RIGHT TO CHANGE DIMENSIONS OR REQUIREMENTS WITHOUT PRIOR NOTICE.	PR. MGT. MGR.			SCALE 2 : 1
ALL DIMENSIONS IN MM 	REFERENCES / REFERENTIES			BS, A , 201883, 000, 04 DRAWING NR. CUSTOMER DRAWING
ALLE AFMETINGEN IN MM 				