

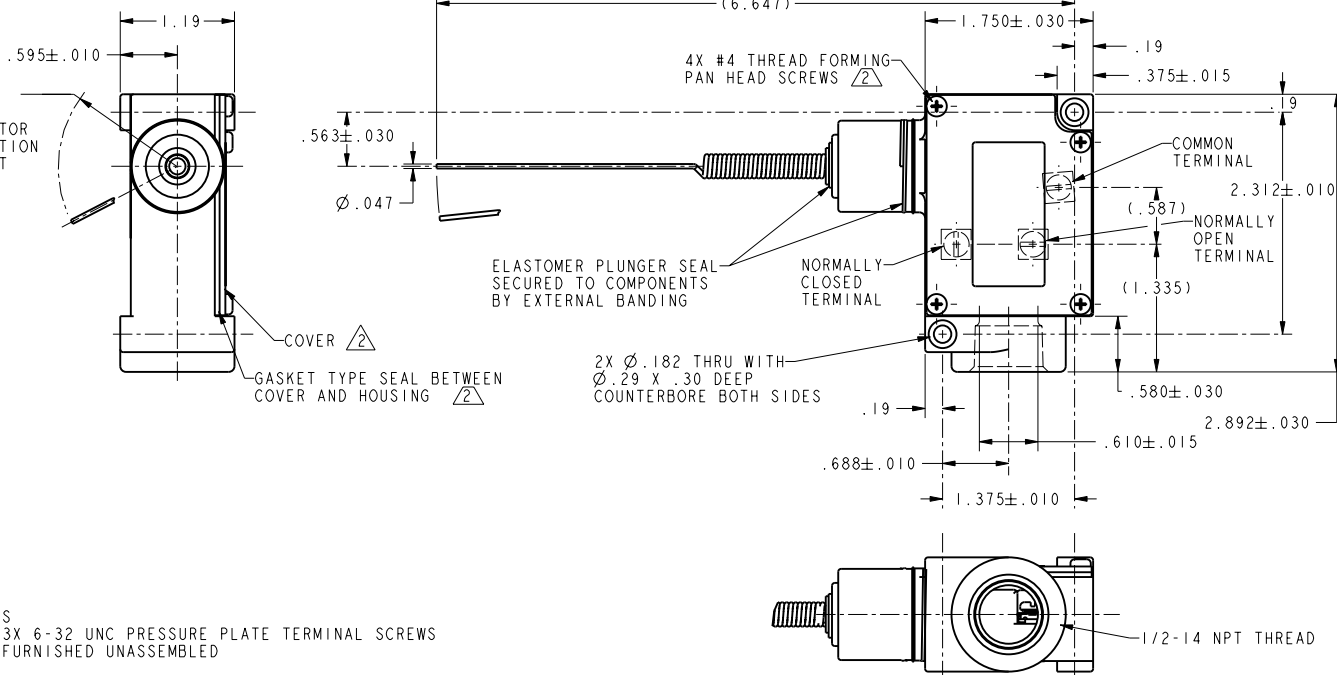
MICRO SWITCH
a Honeywell Division
FED. MFG. CODE 91929

SWITCH-ENCLOSED

CATALOG LISTING
BFR1-BW4

PTC/CAD
 DRAWN
 KED 7 SEP 01
 CHECK SAV 7 SEP 01
 CHECK
 REVISIONS
 ISSUE
 M
 OF
 REPLACES
 BFR1-BW4
 RELEASE NO. 203802

SWITCH WILL OPERATE BY MOVING ACTUATOR IN ANY DIRECTION EXCEPT DIRECT PULL



NOTES
 1 - 3X 6-32 UNC PRESSURE PLATE TERMINAL SCREWS FURNISHED UNASSEMBLED

THIS DRAWING COVERS A PROPRIETARY ITEM AND IS THE PROPERTY OF MICRO SWITCH, A DIVISION OF HONEYWELL. THIS DRAWING IS NOT TO BE COPIED OR USED WITHOUT THE APPROVAL OF MICRO SWITCH		THIRD ANGLE PROJECTION
CHARACTERISTICS	ELECTRICAL DATA	SCALE FULL
OPERATING FORCE: 7 OZ MAX	CONTACT ARRANGEMENT S P D T	DO NOT SCALE PRINT
	L156 11A 1/3HP 125, 250, 277 VAC 1/2A 125 VDC, 1/4A 250 VDC 4A 125 VAC "L"	UNLESS OTHERWISE SPECIFIED TOLERANCES ARE ONE PLACE (.01) ±.030 TWO PLACE (.00) ±.015 THREE PLACE (.000) ±.005 ANGLES ±
	WEIGHT	

ANSI Y14.5M-1982 APPLIES