

DWG NO. 001-07703 2 APPLICABLE TO VERSIONS M & P

1

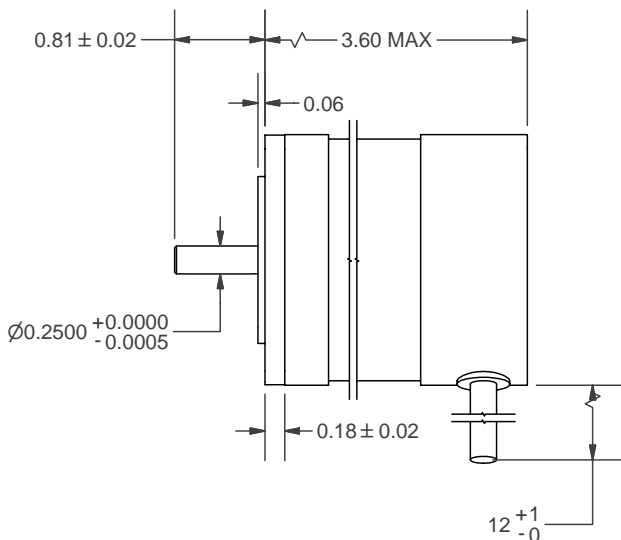
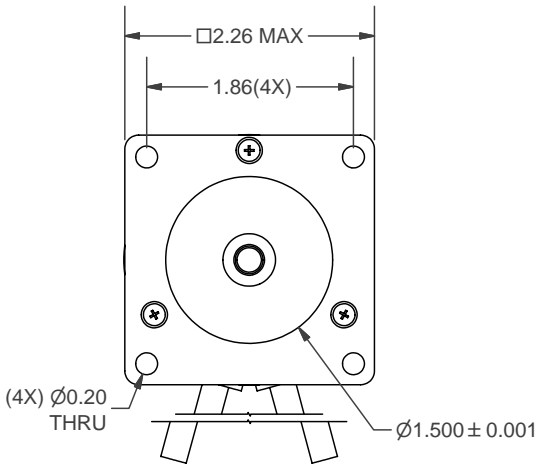
WIRING DIAGRAM

Hall Vcc	Hall A	Hall B	Hall C	GND	Phase A	Phase B	Phase C
RED/WHT	BLUE	GREEN	WHITE	BLK/WHT	YELLOW	RED	BLACK

UL 1007 / 22AWG

- ALL MATERIALS MUST BE ROHS COMPLIANT
- ROHS C.O.C. REQUIRED FOR EACH SHIPMENT

REVISION HISTORY				
ECN	REV	DATE	DESCRIPTION	INIT
19009	A	10-21-2009	ORIGINAL	HP



NUMBER OF ROTOR POLES	4
RATED VOLTAGE	36 V
LINE TO LINE RESIST.	(0.50) Ohm
LINE TO LINE INDUCT.	1.15 mH
RATED TORQUE	67.5 oz-in
RATED SPEED	4000 RPM
TORQUE CONSTANT	9.24 oz-in/A
INSULATION CLASS	B

DO NOT SCALE DRAWING		UNLESS OTHERWISE SPECIFIED DEBURR ALL EDGES 0.005" MAX		TITLE													
		Ⓢ IDENTIFIES FEATURE(S) THAT REQUIRE SPECIAL QUALITY ATTENTION		BLDC MOTOR OUTLINE													
<p>1990 Russell Ave - Santa Clara, CA 95054 Phone: (408) 919-0200 - Fax: (408) 919-0201 www.linengineering.com</p>		APPROVALS		DATE													
		DRWN: HungPham		10/21/2009													
		CHKD:		APRV:		MOTOR NUMBER BL24B36-02-RO											
						MATERIAL											
		<table border="1"> <tr> <th colspan="2">Unless Otherwise Specified Dimensions Are In:</th> </tr> <tr> <th>Inches ± '</th> <th>mm</th> </tr> <tr> <td>.xx ± 0.01</td> <td>.x ± 0.25</td> </tr> <tr> <td>.xxx ± 0.005</td> <td>.xx ± 0.13</td> </tr> <tr> <td>.xxxx ± 0.0005</td> <td>.xxx ± 0.013</td> </tr> </table>		Unless Otherwise Specified Dimensions Are In:		Inches ± '	mm	.xx ± 0.01	.x ± 0.25	.xxx ± 0.005	.xx ± 0.13	.xxxx ± 0.0005	.xxx ± 0.013	SIZE A		DRAWING NO. 001-07703	
Unless Otherwise Specified Dimensions Are In:																	
Inches ± '	mm																
.xx ± 0.01	.x ± 0.25																
.xxx ± 0.005	.xx ± 0.13																
.xxxx ± 0.0005	.xxx ± 0.013																
		SCALE 0.75 : 1		SHEET 1 OF 1													

LIN ENGINEERING -CONFIDENTIAL 2

C:\Inventor Motor Drawings\Drawings\INDEX-0\1-Outline\001-077XX\001-07703.ipt 1

ENG-100-F2 REV E