

DWG NO. 001-09040 2 APPLICABLE TO VERSIONS M & P

1

WIRING DIAGRAM

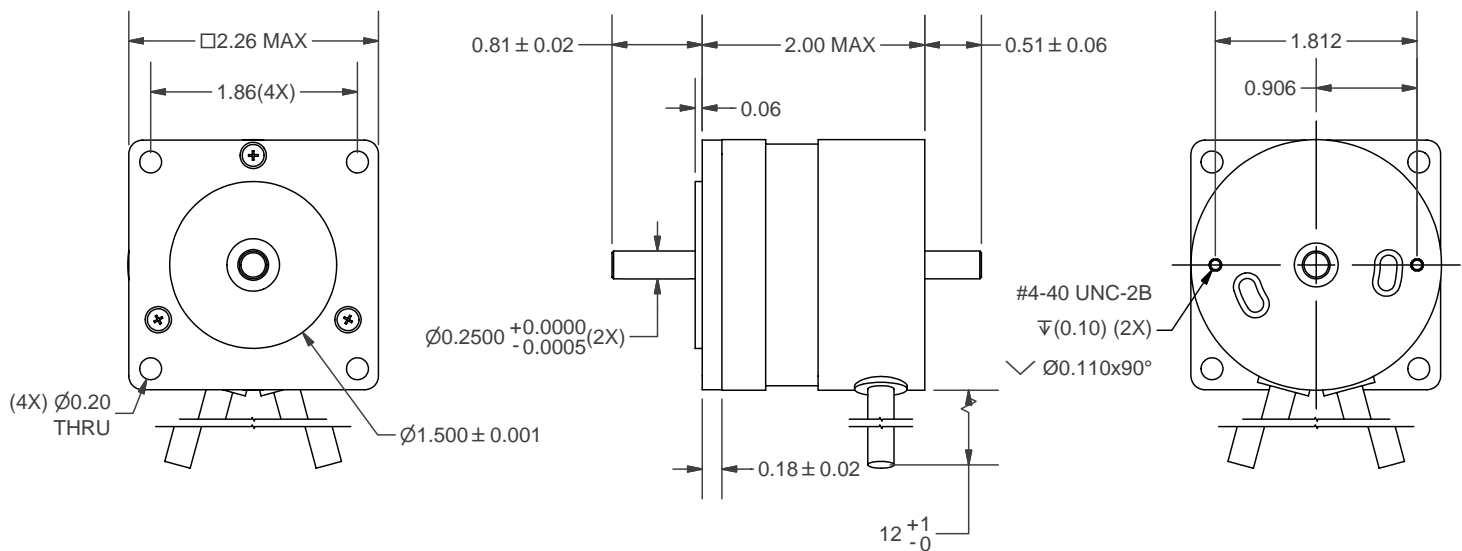
Hall Vcc	Hall A	Hall B	Hall C	GND	Phase A	Phase B	Phase C
RED/WHT	BLUE	GREEN	WHITE	BLK/WHT	YELLOW	RED	BLACK

REVISION HISTORY

ECN	REV	DATE	DESCRIPTION	INIT
23622	A	4/12/11	ORIGINAL	BR

UL 1007 / 22AWG

- ALL MATERIALS MUST BE ROHS COMPLIANT
- ROHS C.O.C. REQUIRED FOR EACH SHIPMENT



NUMBER OF ROTOR POLES	4
RATED VOLTAGE	36 V
LINE TO LINE RESIST. ( $\pm 10\%$ )	1.8 Ohm
RATED TORQUE	16.5 oz-in
RATED SPEED	4000 RPM
INSULATION CLASS	B

<p><b>LIN ENGINEERING</b> Step Motor Specialists www.linengineering.com</p> <p>The information herein is the property of Lin Engineering. No portion of this data shall be released, disclosed, used, or duplicated for any purposes without the written consent of Lin Engineering.</p>	<p>ⓐ IDENTIFIES FEATURE(S) THAT REQUIRE SPECIAL QUALITY ATTENTION</p> <p>Unless Otherwise Specified Dimensions Are In: Inches [mm] Tolerances Are: Angles <math>\pm 1^\circ</math> Chamfer <math>\pm 5^\circ</math> Deburr All Edges 0.005" MAX</p> <table border="1"> <tr> <th>Inches</th> <th>mm</th> </tr> <tr> <td><math>.xx \pm .01</math></td> <td><math>.x \pm 0.26</math></td> </tr> <tr> <td><math>.xxx \pm .005</math></td> <td><math>.xx \pm 0.13</math></td> </tr> <tr> <td><math>.xxxx \pm .0005</math></td> <td><math>.xxx \pm 0.013</math></td> </tr> </table>	Inches	mm	$.xx \pm .01$	$.x \pm 0.26$	$.xxx \pm .005$	$.xx \pm 0.13$	$.xxxx \pm .0005$	$.xxx \pm 0.013$	<p>THIRD ANGLE PROJECTION</p>	<p>TITLE</p> <p><b>BLDC MOTOR OUTLINE</b></p>
		Inches	mm								
		$.xx \pm .01$	$.x \pm 0.26$								
		$.xxx \pm .005$	$.xx \pm 0.13$								
$.xxxx \pm .0005$	$.xxx \pm 0.013$										
<p>APPROVALS</p> <p>DRWN: Ben Ramos</p> <p>CHKD:</p>	<p>DATE</p> <p>4/12/2011</p> <p>APRV:</p>	<p>MOTOR NUMBER</p> <p><b>BL24B20-02D-02RO</b></p>	<p>MATERIAL</p> <p><b>001-07700</b></p>								
<p>SIZE</p> <p><b>A</b></p>		<p>DRAWING NO.</p> <p><b>001-09040</b></p>	<p>SCALE</p> <p><b>0.75 : 1</b></p>								
<p>LIN ENGINEERING -CONFIDENTIAL</p>		<p>DO NOT SCALE DRAWING</p>	<p>SHEET</p> <p><b>1 OF 2</b></p>								

LIN ENGINEERING -CONFIDENTIAL 2

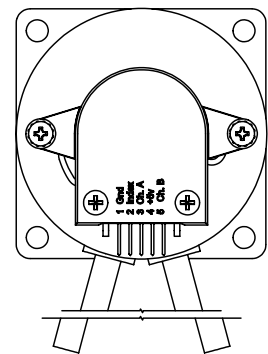
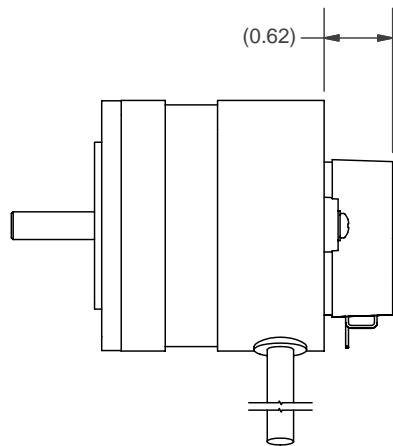
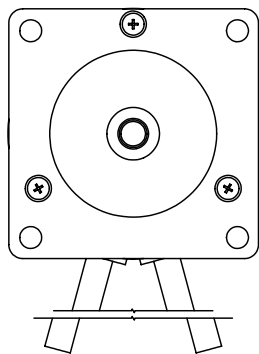
C:\Inventor Motor Drawings\Drawings\INDEX-01-Outline\001-090X\001-09040.ipt

ENG-100-F2 REV F

DWG NO. 001-09040

2 APPLICABLE TO VERSIONS M & P

1



**ENCODER**  
LIN # 061-00120  
(E2 TYPE  
200 CPR  
WITH "I" OPTION)

**LIN ENGINEERING**  
Step Motor Specialists  
www.linengineering.com

The information herein is the property of Lin Engineering. No portion of this data shall be released, disclosed, used, or duplicated for any purposes without the written consent of Lin Engineering.

Ⓞ IDENTIFIES FEATURE(S) THAT REQUIRE SPECIAL QUALITY ATTENTION

Unless Otherwise Specified  
Dimensions Are In:  
Inches [mm]  
Tolerances Are:  
Angles ±1°  
Chamfer ±5°  
Deburr All Edges 0.005" MAX

Inches	mm
.xx ± .01	.x ± 0.26
.xxx ± .005	.xx ± 0.13
.xxxx ± .0005	.xxx ± 0.013

**APPROVALS**

DRWN: Ben Ramos

CHKD:

THIRD ANGLE PROJECTION

**DATE**

4/12/2011

APRV:

TITLE

**BLDC MOTOR OUTLINE**

MOTOR NUMBER

BL24B20-02D-02RO

MATERIAL

001-07700

SIZE

DRAWING NO.

001-09040

SCALE

0.75 : 1

DO NOT SCALE

DRAWING

SHEET

2 OF 2

LIN ENGINEERING -CONFIDENTIAL

2

C:\Inventor Motor Drawings\Drawings\INDEX-01-Outline\001-090XX\001-09040.iam

1

ENG-100-F2 REV F