

DWG NO. 001-07699 2 APPLICABLE TO VERSIONS M & P

1

WIRING DIAGRAM

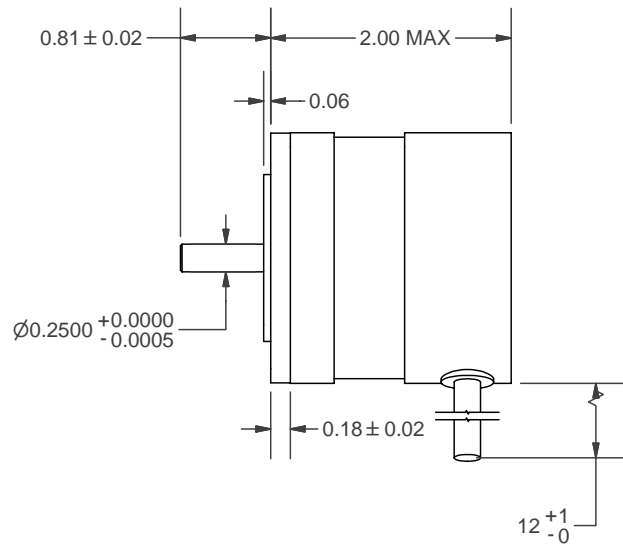
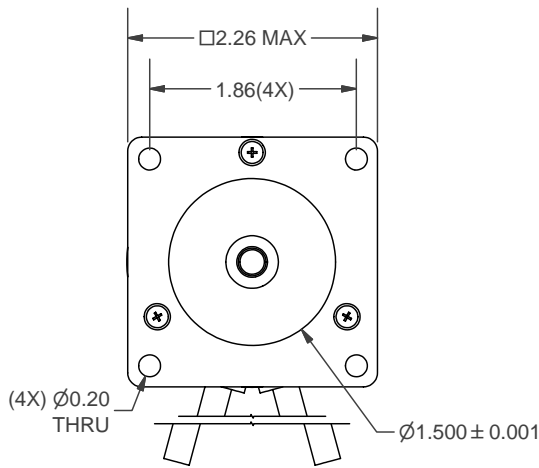
Hall Vcc	Hall A	Hall B	Hall C	GND	Phase A	Phase B	Phase C
RED/WHT	BLUE	GREEN	WHITE	BLK/WHT	YELLOW	RED	BLACK

UL 1007 / 22AWG

- ALL MATERIALS MUST BE ROHS COMPLIANT
- ROHS C.O.C. REQUIRED FOR EACH SHIPMENT

REVISION HISTORY

ECN	REV	DATE	DESCRIPTION	INIT
19007	A	10/21/09	ORIGINAL	BR



NUMBER OF ROTOR POLES	4
RATED VOLTAGE	36 V
LINE TO LINE RESIST.	(1.86) Ohm
LINE TO LINE INDUCT.	3.89 mH
RATED TORQUE	19 oz-in
RATED SPEED	4000 RPM
TORQUE CONSTANT	9.1 oz-in/A
INSULATION CLASS	B

DO NOT SCALE DRAWING		UNLESS OTHERWISE SPECIFIED DEBURR ALL EDGES 0.005" MAX		TITLE	
		Ⓢ IDENTIFIES FEATURE(S) THAT REQUIRE SPECIAL QUALITY ATTENTION		BLDC MOTOR OUTLINE	
<p>1990 Russell Ave - Santa Clara, CA 95054 Phone: (408) 919-0200 - Fax: (408) 919-0201 www.linengineering.com</p>		APPROVALS DRWN: Ben Ramos CHKD:		DATE 10/21/2009 APRV:	
		MOTOR NUMBER BL24B20-02-RO		MATERIAL	
		SIZE A		DRAWING NO. 001-07699	
		SCALE 0.75 : 1		SHEET 1 OF 1	

LIN ENGINEERING -CONFIDENTIAL 2

C:\Inventor Motor Drawings\Drawings\INDEX-01-Outline\001-076XX\001-07699.ipt 1

ENG-100-F2 REV E