

DWG NO. 001-07695 2 APPLICABLE TO VERSIONS M & P

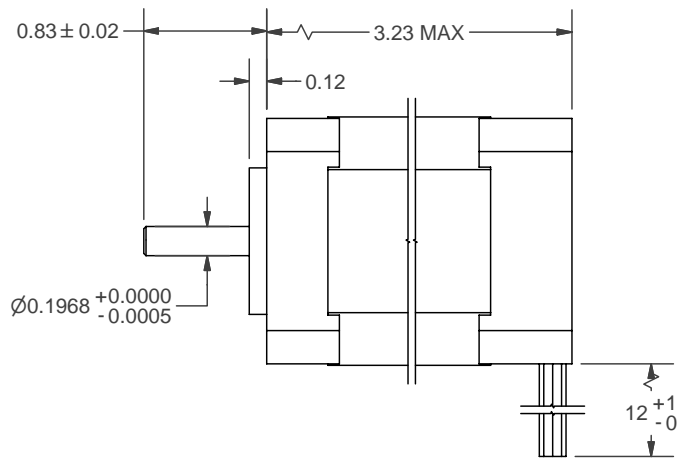
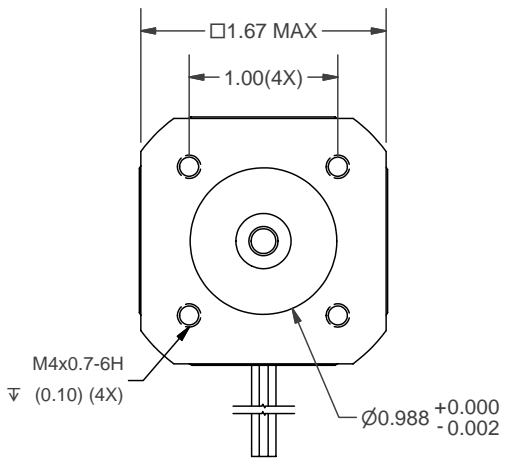
1

WIRING DIAGRAM							
Hall Vcc	Hall A	Hall B	Hall C	GND	Phase A	Phase B	Phase C
RED/WHT	BLUE	GREEN	WHITE	BLK/WHT	YELLOW	RED	BLACK

UL 1007 / 22AWG

REVISION HISTORY				
ECN	REV	DATE	DESCRIPTION	INIT
19005	A	10/21/09	ORIGINAL	BR

- ALL MATERIALS MUST BE ROHS COMPLIANT
 - ROHS C.O.C. REQUIRED FOR EACH SHIPMENT



NUMBER OF ROTOR POLES	8
RATED VOLTAGE	24 V
LINE TO LINE RESIST.	(0.45) Ohm
LINE TO LINE INDUCT.	0.64 mH
RATED TORQUE	31 oz-in
RATED SPEED	4000 RPM
TORQUE CONSTANT	5.10 oz-in/A
INSULATION CLASS	B

DO NOT SCALE DRAWING		UNLESS OTHERWISE SPECIFIED DEBURR ALL EDGES 0.005" MAX		TITLE									
		Ⓢ IDENTIFIES FEATURE(S) THAT REQUIRE SPECIAL QUALITY ATTENTION		BLDC MOTOR OUTLINE									
LIN ENGINEERING Step Motor Specialists 1990 Russell Ave - Santa Clara, CA 95054 Phone: (408) 919-0200 - Fax: (408) 919-0201 www.linengineering.com		APPROVALS		DATE									
		DRWN: Ben Ramos		10/21/2009									
		MOTOR NUMBER		BL17B32-02-RO									
		MATERIAL											
Unless Otherwise Specified Dimensions Are In: Inches [mm] Tolerances Are: Angles ± 1'		CHKD:		APRV:									
<table border="1"> <thead> <tr> <th>Inches</th> <th>mm</th> </tr> </thead> <tbody> <tr> <td>.xx ± 0.01</td> <td>.x ± 0.25</td> </tr> <tr> <td>.xxx ± 0.005</td> <td>.xx ± 0.13</td> </tr> <tr> <td>.xxxx ± 0.0005</td> <td>.xxx ± 0.013</td> </tr> </tbody> </table>		Inches	mm	.xx ± 0.01	.x ± 0.25	.xxx ± 0.005	.xx ± 0.13	.xxxx ± 0.0005	.xxx ± 0.013	SIZE		DRAWING NO.	
Inches	mm												
.xx ± 0.01	.x ± 0.25												
.xxx ± 0.005	.xx ± 0.13												
.xxxx ± 0.0005	.xxx ± 0.013												
		A		001-07695									
		SCALE		SHEET									
		1 : 1		1 OF 1									

LIN ENGINEERING -CONFIDENTIAL 2

C:\Inventor Motor Drawings\Drawings\INDEX-01-Outline\001-076XX\001-07695.ipt 1

ENG-100-F2 REV E