

K50 Family Product Brief

Supports all K50, K51, K52, and K53 devices



Contents



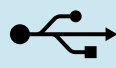



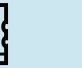
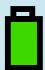

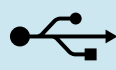



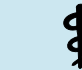


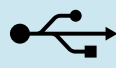




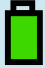


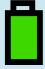

1 Kinetis Portfolio


Kinetis is the most scalable portfolio of low power, mixed-signal ARM®Cortex™-M4 MCUs in the industry. Phase 1 of the portfolio consists of five MCU families with over 200 pin-, peripheral- and software-compatible devices. Each family offers excellent performance, memory and feature scalability with common peripherals, memory maps, and packages providing easy migration both within and between families.


Kinetis MCUs are built from Freescale's innovative 90nm Thin Film Storage (TFS) flash technology with unique FlexMemory. Kinetis MCU families combine the latest low-power innovations and high performance, high precision mixed-signal capability with a broad range of connectivity, human-machine interface, and safety & security peripherals. Kinetis MCUs are supported by a market-leading enablement bundle from Freescale and numerous ARM 3rd party ecosystem partners.


1	Kinetis Portfolio.....	1
2	K50 Family Introduction.....	3
3	K50 Block Diagram.....	3
4	Features.....	5
5	Power modes.....	36
6	Developer Environment.....	38
7	Revision History.....	43




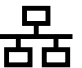
Family	Program Flash	Packages	Key Features						
K60 Family	256KB-1MB	100-256pin							
K50 Family	128-512KB	64-144pin							
K40 Family	64-512KB	64-144pin							
K30 Family	64-512KB	64-144pin							
K20 Family	32KB-1MB	32-144pin							
K10 Family	32KB-1MB	32-144pin							


 Low power

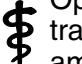
 Mixed signal

 USB

 Segment LCD

 Ethernet

 Encryption and Tamper Detect

 Operational & transimpedance amplifiers


 DDR

Figure 1. Kinetis MCU portfolio

All Kinetis families include a powerful array of analog, communication and timing and control peripherals with the level of feature integration increasing with flash memory size and the number of inputs/outputs. Features common to all Kinetis families include:

- Core:
 - ARM Cortex-M4 Core delivering 1.25 DMIPS/MHz with DSP instructions (floating-point unit available on certain Kinetis families)
 - Up to 32-channel DMA for peripheral and memory servicing with minimal CPU intervention
 - Broad range of performance levels rated at maximum CPU frequencies of 50 MHz, 72 MHz, 100 MHz, 120 MHz, and 150 MHz
- Ultra-low power:
 - 10 low power operating modes for optimizing peripheral activity and wake-up times for extended battery life.
 - Low-leakage wake-up unit, low power timer, and low power RTC for additional low power flexibility
 - Industry-leading fast wake-up times
- Memory:
 - Scalable memory footprints from 32 KB flash / 8 KB RAM to 1 MB flash / 128 KB RAM. Independent flash banks enable concurrent code execution and firmware updates
 - Optional 16 KB cache memory for optimizing bus bandwidth and flash execution performance. Offered on K10, K20, and K60 family devices with CPU performance of up to 150 MHz.
 - FlexMemory with up to 512 KB FlexNVM and up to 16 KB FlexRAM. FlexNVM can be partitioned to support additional program flash memory (ex. bootloader), data flash (ex. storage for large tables), or EEPROM backup. FlexRAM supports EEPROM byte-write/byte-erase operations and dictates the maximum EEPROM size.
 - EEPROM endurance capable of exceeding 10 million cycles

- EEPROM erase/write times an order of magnitude faster than traditional EEPROM
- Multi-function external bus interface capable of interfacing to external memories, gate-array logic, or an LCD
- Mixed-signal analog:
 - Fast, high precision 16-bit ADCs, 12-bit DACs, programmable gain amplifiers, high speed comparators and an internal voltage reference. Powerful signal conditioning, conversion and analysis capability with reduced system cost
- Human Machine Interface (HMI):
 - Capacitive Touch Sensing Interface with full low-power support and minimal current adder when enabled
- Connectivity and Communications:
 - UARTs with ISO7816 and IrDA support, I2S, CAN, I2C and DSPI
 - USB OTG controller
- Reliability, Safety and Security:
 - Hardware cyclic redundancy check engine for validating memory contents/communication data and increased system reliability
 - Independent-clocked COP for protection against code runaway in fail-safe applications
 - External watchdog monitor
- Timing and Control:
 - Powerful FlexTimers which support general purpose, PWM, and motor control functions
 - Carrier Modulator Transmitter for IR waveform generation
 - Programmable Interrupt Timer for RTOS task scheduler time base or trigger source for ADC conversion and programmable delay block
- System:
 - 5 V tolerant GPIO with pin interrupt functionality
 - Wide operating voltage range from 1.71 V to 3.6 V with flash programmable down to 1.71 V with fully functional flash and analog peripherals
 - Ambient operating temperature ranges from -40 °C to 105 °C

2 K50 Family Introduction

The K50 MCU family includes a flexible, low-power segment LCD controller with support for up to 320 segments, analog front end capability, and full-speed USB 2.0 On-The-Go with device charger detect capability. Devices start from 128 KB of flash in 64QFN packages extending up to 512 KB in a 144MAPBGA package with a rich suite of analog, communication, timing and control peripherals. High-memory density K50 family devices include IEEE1588 Ethernet.

3 K50 Block Diagram

The below figure shows a superset block diagram of the K50 device. Other devices within the family have a subset of the features.

Kinetis K50 Family

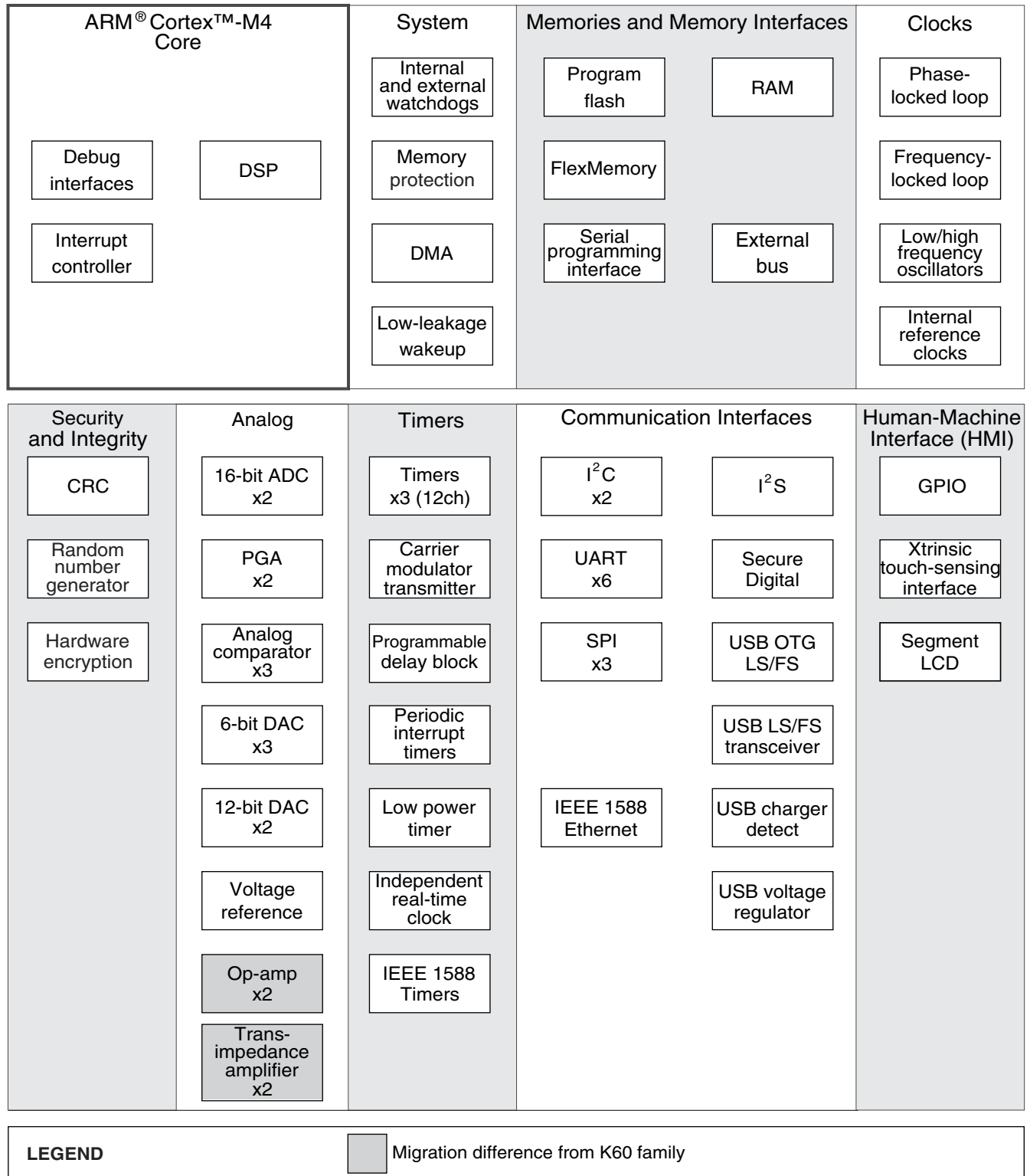


Figure 2. K50 Block Diagram

4 Features

4.1 Common features among the K50 family

All devices within the K50 family features the following at a minimum:

Table 1. Common features among all K50 devices

Operating characteristics	<ul style="list-style-type: none"> • Voltage range 1.71V - 3.6V • Flash memory programming down to 1.71V • Temperature range (T_A) -40 to 85°C • Flexible modes of operation
Core features	<ul style="list-style-type: none"> • Next generation 32-bit ARM Cortex-M4 core • Supports DSP instructions • Nested vectored interrupt controller (NVIC) • Asynchronous wake-up interrupt controller (AWIC) • Debug & trace capability <ul style="list-style-type: none"> • 2-pin serial wire debug (SWD) • IEEE 1149.1 Joint Test Action Group (JTAG) • IEEE 1149.7 compact JTAG (cJTAG) • Trace port interface unit (TPIU) • Flash patch and breakpoint (FPB) • Data watchpoint and trace (DWT) • Instrumentation trace macrocell (ITM)
System and power management	<ul style="list-style-type: none"> • Software and hardware watchdog with external monitor pin • DMA controller • Low-leakage wake-up unit (LLWU) • Power management controller with 10 different power modes • Non-maskable interrupt (NMI) • 128-bit unique identification (ID) number per chip
Clocks	<ul style="list-style-type: none"> • Multi-purpose clock generator <ul style="list-style-type: none"> • PLL and FLL operation • Internal reference clocks • 3MHz to 32MHz crystal oscillator • 32kHz to 40kHz crystal oscillator • Internal 1kHz low power oscillator • DC to 50MHz external square wave input clock
Memories and Memory Interfaces	<ul style="list-style-type: none"> • FlexMemory consisting of FlexNVM (non-volatile flash memory that can execute program code, store data, or backup EEPROM data) or FlexRAM (RAM memory that can be used as traditional RAM or as high-endurance EEPROM storage, and also accelerates flash programming) • Flash security and protection features • Serial flash programming interface (EzPort)
Security and integrity	<ul style="list-style-type: none"> • Cyclic redundancy check (CRC)

Table continues on the next page...

Table 1. Common features among all K50 devices (continued)

Analog	<ul style="list-style-type: none"> • 16-bit SAR ADC • Programmable voltage reference (VREF) • 12-bit DAC • High-speed Analog comparator (CMP) with 6-bit DAC • General purpose op-amps • Transimpedance amplifiers
Timers	<ul style="list-style-type: none"> • 1x8ch motor control/general purpose/PWM flexible timer (FTM) • 1x2ch quadrature decoder/general purpose/PWM flexible timer (FTM) • Carrier modulator timer (CMT) • Programmable delay block (PDB) • 1x4ch programmable interrupt timer (PIT) • Low-power timer (LPT)
Communications	<ul style="list-style-type: none"> • USB Full Speed/Low Speed OTG/Host/Device • SPI • I²C with SMBUS support • UART (w/ ISO7816, IrDA and hardware flow control)
Human-machine interface	<ul style="list-style-type: none"> • GPIO with pin interrupt support, DMA request capability, digital glitch filter, and other pin control options • 5V tolerant inputs • Capacitive touch sensing inputs

4.1.1 Memory and package options

The following table summarizes the memory and package options for the K50 family. All devices which share a common package are pin-for-pin compatible.

Table 2. K50 family summary

Sub-Family	Performance (MHz)	Memory				Features		Package									
		Flash (KB)	FlexNVM (KB)	SRAM (KB)	EEPROM/ FlexRAM (KB)	LC D	Ethernet	64 LQFN (9x9)	64 LQFP (10x10)	80 LQFP (12x12)	81 BGA (8x8)	100 LQFP (14x14)	104BGA (8x8)	121 BGA (8x8)	144 LQFP (20x20)	144 BGA (13x13)	
K50N	100	512	—	128	—	—	—	—	—	—	—	—	+	—	+	+	+
K50X	72	128	32	32	2	—	—	+	+	+	+	—	—	—	—	—	—
	72	256	32	64	2	—	—	—	—	+	+	+	+	—	—	—	—
	100	256	256	64	4	—	—	—	—	+	+	+	—	+	—	—	—
K51N	100	256	—	64	—	+	—	—	—	—	—	—	—	—	—	+	+
	100	512	—	128	—	+	—	—	—	—	—	—	+	—	+	+	+

Table continues on the next page...

Table 2. K50 family summary (continued)

Sub-Family	Performance (MHz)	Memory				Features		Package									
		Flash (KB)	FlexNVM (KB)	SRAM (KB)	EEPROM/ FlexRAM (KB)	LC D	Ethernet	64 LQFN (9x9)	64 LQFP (10x10)	80 LQFP (12x12)	81 BGA (8x8)	100 LQFP (14x14)	104BGA (8x8)	121 BGA (8x8)	144 LQFP (20x20)	144 BGA (13x13)	
K51X	72	128	32	32	2	+	—	+	+	+	+	—	—	—	—	—	
	72	256	32	64	2	+	—	—	—	+	+	+	+	—	—	—	
	100	256	256	64	4	+	—	—	—	+	+	+	—	+	—	—	
K52N	100	512	—	128	—	—	+	—	—	—	—	—	—	—	—	+	+
K53N	100	512	—	128	—	+	+	—	—	—	—	—	—	—	—	+	+
K53X	100	256	256	128	4	+	+	—	—	—	—	—	—	—	—	+	+

4.2 FlexMemory

Freescale's new FlexMemory technology provides an extremely versatile and powerful solution for designers seeking on-chip EEPROM and/or additional program or data flash memory. As easy and as fast as SRAM, it requires no user or system intervention to complete programming and erase functions when used as high endurance byte-write/byte-erase EEPROM. EEPROM array size can also be configured for improved endurance to suit application requirements. FlexMemory can also provide additional flash memory (FlexNVM) for data or program storage in parallel with the main program flash.

The key features of FlexMemory include:

- Configurability for designer:
 - EEPROM array size and number of write/erase cycles
 - Program or data flash size
- EEPROM endurance of 10M write/erase cycles possible over full voltage and temperature range
- Seamless EEPROM read/write operations: simply write or read a memory address
- High-speed byte, 16-bit, and 32-bit write/erase operations to EEPROM
- Eliminates the costs associated with external EEPROM ICs, and the software headaches and resource (CPU/flash/RAM) impact of EEPROM emulation schemes
- Storage for large data tables or bootloader
- Read-while-write operation with main program flash memory
- Minimum write voltage 1.71V

4.2.1 Programmable Trade-Off

FlexMemory lets you fully configure the way FlexNVM and FlexRAM blocks are used to provide the best balance of memory resources for their application.

The user can configure several parameters, including EEPROM size, endurance, write size, and the size of additional program/data flash.

Features

In addition to this flexibility, FlexMemory provides superior EEPROM performance, endurance, and low-voltage operation when compared to traditional EEPROM solutions.

- Enhanced EEPROM — Combines FlexRAM and FlexNVM to create byte-write/erase, high-speed, and high-endurance EEPROM
- FlexNVM — Can be used as:
 - part of the EEPROM configuration,
 - additional program or data flash, or
 - a combination of the above. For example, a portion can be used as flash while the rest is used for enhanced EEPROM backup.
- FlexRAM — Can be used as part of the EEPROM configuration or as additional system RAM

4.2.2 Use Case Example

The MCU has 128 KB program flash, 32 KB SRAM, and FlexMemory has 128 KB FlexNVM and 4 KB FlexRAM (maximum EEPROM size). The application requires 8 KB additional program flash for a bootloader and 256 bytes of high-endurance EEPROM. The user allocates 8 KB of FlexNVM for the additional program flash and the remaining 120 KB for EEPROM backup.

The user defines 256 bytes of EEPROM size from the FlexRAM. In this example, the EEPROM endurance results in a minimum of 2.32M write/erase cycles.

4.3 Part Numbers and Packaging

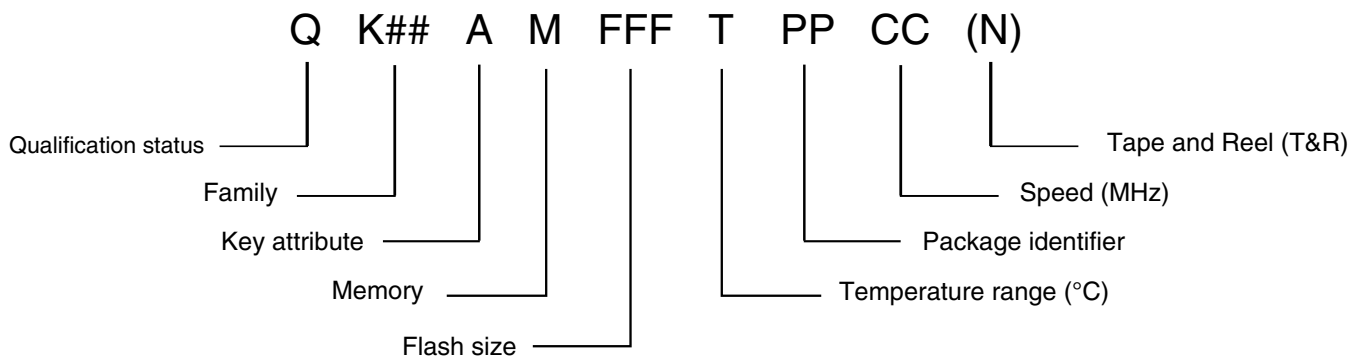


Figure 3. Part numbers diagrams

Field	Description	Values
Q	Qualification status	<ul style="list-style-type: none"> • M = Fully qualified, general market flow • P = Prequalification
K##	Kinetis family	<ul style="list-style-type: none"> • K50 • K51 • K52 • K53
A	Key attribute	<ul style="list-style-type: none"> • D = Cortex-M4 w/ DSP • F = Cortex-M4 w/ FPU

Table continues on the next page...

Field	Description	Values
M	Flash memory type	<ul style="list-style-type: none"> • N = Program flash only • X = Program flash and FlexMemory
FFF	Program flash memory size	<ul style="list-style-type: none"> • 32 = 32 KB • 64 = 64 KB • 128 = 128 KB • 256 = 256 KB • 512 = 512 KB • 1M0 = 1 MB
T	Temperature range (°C)	<ul style="list-style-type: none"> • V = -40 to 105 • C = -40 to 85
PP	Package identifier	<ul style="list-style-type: none"> • FM = 32 QFN (5 mm x 5 mm) • FT = 48 QFN (7 mm x 7 mm) • LF = 48 LQFP (7 mm x 7 mm) • EX = 64 QFN (9 mm x 9 mm) • LH = 64 LQFP (10 mm x 10 mm) • LK = 80 LQFP (12 mm x 12 mm) • MB = 81 MAPBGA (8 mm x 8 mm) • LL = 100 LQFP (14 mm x 14 mm) • MC = 121 MAPBGA (8 mm x 8 mm) • LQ = 144 LQFP (20 mm x 20 mm) • MD = 144 MAPBGA (13 mm x 13 mm) • MF = 196 MAPBGA (15 mm x 15 mm) • MJ = 256 MAPBGA (17 mm x 17 mm)
CC	Maximum CPU frequency (MHz)	<ul style="list-style-type: none"> • 5 = 50 MHz • 7 = 72 MHz • 10 = 100 MHz • 12 = 120 MHz • 15 = 150 MHz
N	Packaging type	<ul style="list-style-type: none"> • R = Tape and reel • (Blank) = Trays

4.4 K50 family features

The following sections list the differences among the various devices available within the K50 family. The sections are split by levels of performance.

The features listed below each part number specify the maximum configuration available on that device. The signal multiplexing configuration determines which modules can be used simultaneously.

4.4.1 K50 family features (72MHz Performance) 1

Table 3. K50 72MHz Performance Table 1

MC Partnumber	MK50DX128CLH7(R)	MK50DX128CEX7(R)	MK50DX128CLK7(R)	MK50DX256CLK7(R)	MK50DX128CMB7(R)	MK50DX256CMB7(R)	MK50DX256CLL7(R)	MK50DX256CML7(R)
General								
CPU Frequency	72 MHz	72 MHz	72 MHz	72 MHz	72 MHz	72 MHz	72 MHz	72 MHz
Pin Count	64	64	80	80	81	81	100	104
Package	LQFP	LQFN	LQFP	LQFP	MAPBG A	MAPBG A	LQFP	MAPBG A
Memories and Memory Interfaces								
Total Flash Memory	160KB	160KB	160KB	288KB	160KB	288KB	288KB	288KB
Flash	128KB	128KB	128KB	256KB	128KB	256KB	256KB	256KB
FlexNVM	32KB	32KB	32KB	32KB	32KB	32KB	32KB	32KB
EEPROM/FlexRAM	2KB	2KB	2KB	2KB	2KB	2KB	2KB	2KB
SRAM	32KB	32KB	32KB	64KB	32KB	64KB	64KB	64KB
Serial Programming Interface	YES	YES	YES	YES	YES	YES	YES	YES
External Bus Interface (FlexBus), Addr/Data/CS	18/16/2	18/16/2	20/16/4	20/16/4	20/16/4	20/16/4	21/16/5	32/32/6
Non-Muxed External Bus Interface (Flexbus), Addr/Data/CS	-	-	-	-	-	-	21/8/5	30/16/6, 30/8/6
DDR Controller	-	-	-	-	-	-	-	-
NAND Flash Controller	-	-	-	-	-	-	-	-
Cache	-	-	-	-	-	-	-	-
Core Modules								
DSP	YES	YES	YES	YES	YES	YES	YES	YES
SPFPU	-	-	-	-	-	-	-	-
Debug	JTAG, cJTAG, SWD	JTAG, cJTAG, SWD	JTAG, cJTAG, SWD	JTAG, cJTAG, SWD	JTAG, cJTAG, SWD	JTAG, cJTAG, SWD	JTAG, cJTAG, SWD	JTAG, cJTAG, SWD
Trace	TPIU, FPB, DWT, ITM	TPIU, FPB, DWT, ITM	TPIU, FPB, DWT, ITM	TPIU, FPB, DWT, ITM	TPIU, FPB, DWT, ITM	TPIU, FPB, DWT, ITM	TPIU, FPB, DWT, ITM	TPIU, FPB, DWT, ITM
NMI	YES	YES	YES	YES	YES	YES	YES	YES
System Modules								
Software Watchdog	YES	YES	YES	YES	YES	YES	YES	YES

Table continues on the next page...

Table 3. K50 72MHz Performance Table 1 (continued)

MC Partnumber	MK50DX128CLH7(R)	MK50DX128CEX7(R)	MK50DX128CLK7(R)	MK50DX256CLK7(R)	MK50DX128CMB7(R)	MK50DX256CMB7(R)	MK50DX256CLL7(R)	MK50DX256CML7(R)
Hardware Watchdog	YES	YES	YES	YES	YES	YES	YES	YES
PMC	YES	YES	YES	YES	YES	YES	YES	YES
MPU	-	-	-	-	-	-	-	-
DMA	16ch	16ch	16ch	16ch	16ch	16ch	16ch	16ch
Clock Modules								
MCG	YES	YES	YES	YES	YES	YES	YES	YES
OSC (32-40kHz/3-32MHz)	YES	YES	YES	YES	YES	YES	YES	YES
RTC (32KHz Osc, Vbat)	YES	YES	YES	YES	YES	YES	YES	YES
Security and Integrity								
Hardware Encryption	-	-	-	-	-	-	-	-
Tamper Detect	-	-	-	-	-	-	-	-
CRC	YES	YES	YES	YES	YES	YES	YES	YES
Analog								
ADC0 (SE:single-ended, DP:differential pair)	15ch SE + 1ch DP	15ch SE + 1ch DP	19ch SE + 3ch DP	19ch SE + 3ch DP	19ch SE + 3ch DP	19ch SE + 3ch DP	19ch SE + 3ch DP	19ch SE + 3ch DP
ADC1	12ch SE + 2ch DP	12ch SE + 2ch DP	16ch SE + 3ch DP	16ch SE + 3ch DP	16ch SE + 3ch DP	16ch SE + 3ch DP	18ch SE + 3ch DP	20ch SE + 3ch DP
ADC2	-	-	-	-	-	-	-	-
ADC3	-	-	-	-	-	-	-	-
ADC DP	2ch	2ch	4ch	4ch	4ch	4ch	4ch	4ch
ADC SE	20ch	20ch	23ch	23ch	23ch	23ch	23ch	25ch
PGA	1	1	2	2	2	2	2	2
12-bit DAC	1	1	1	1	1	1	1	1
Analog Comparator	2	2	3	3	3	3	3	3
Analog Comparator Inputs	6 / 4 / 1 / 0	6 / 4 / 1 / 0	6 / 5 / 3 / 0	6 / 5 / 3 / 0	6 / 5 / 3 / 0	6 / 5 / 3 / 0	6 / 5 / 5 / 0	6 / 5 / 5 / 0
OPAMP	1	1	2	2	2	2	2	2
TRIAMP	1	1	1	1	1	1	1	1
Vref	YES	YES	YES	YES	YES	YES	YES	YES
Timers								

Table continues on the next page...

Table 3. K50 72MHz Performance Table 1 (continued)

MC Partnumber	MK50DX128CLH7(R)	MK50DX128CEX7(R)	MK50DX128CLK7(R)	MK50DX256CLK7(R)	MK50DX128CMB7(R)	MK50DX256CMB7(R)	MK50DX256CLL7(R)	MK50DX256CML7(R)
Motor Control/General purpose/ PWM	1x8ch	1x8ch	1x8ch	1x8ch	1x8ch	1x8ch	1x8ch	1x8ch
Quad decoder/General purpose/ PWM	2x2ch	2x2ch	2x2ch	2x2ch	2x2ch	2x2ch	2x2ch	2x2ch
FTM External CLK	2	2	2	2	2	2	2	2
Low Power Timer	1	1	1	1	1	1	1	1
PIT	1x4ch	1x4ch	1x4ch	1x4ch	1x4ch	1x4ch	1x4ch	1x4ch
PDB	1	1	1	1	1	1	1	1
CMT(Carrier Module Transmitter)	YES	YES	YES	YES	YES	YES	YES	YES
Communication Interfaces								
SDHC	-	-	-	-	-	-	-	-
High Baudrate UART w/ ISO7816	1	1	1	1	1	1	1	1
High Baudrate UART	1	1	1	1	1	1	1	1
UART	1	1	1 / 1	1 / 1	1 / 1	1 / 1	3	3
SPI chip selects per module	5 / 0 / 0	5 / 0 / 0	5 / 1 / 0	5 / 1 / 0	5 / 1 / 0	5 / 1 / 0	6 / 3 / 0	6 / 4 / 0
I2C	2	2	2	2	2	2	2	2
I2S	1	1	1	1	1	1	1	1
CAN	-	-	-	-	-	-	-	-
USB OTG LS/FS w/ on-chip xcvr	1	1	1	1	1	1	1	1
USB OTG HS	-	-	-	-	-	-	-	-
USB DCD	YES	YES	YES	YES	YES	YES	YES	YES
USB 120mAReg	YES	YES	YES	YES	YES	YES	YES	YES
Ethernet w /1588	-	-	-	-	-	-	-	-
IEEE1588 Timer	-	-	-	-	-	-	-	-
Human-Machine Interface								
Segment LCD	-	-	-	-	-	-	-	-
Graphic LCD	-	-	-	-	-	-	-	-
TSI(Capacitive Touch)	16 input	16 input	16 input	16 input	16 input	16 input	16 input	16 input
GPIO (w interrupt)	35	35	39	39	39	39	59	78
Operating Characteristics								
5V Tolerant	YES	YES	YES	YES	YES	YES	YES	YES

Table continues on the next page...

Table 3. K50 72MHz Performance Table 1 (continued)

MC Partnumber	MK50DX128CLH7(R)	MK50DX128CEX7(R)	MK50DX128CLK7(R)	MK50DX256CLK7(R)	MK50DX128CMB7(R)	MK50DX256CMB7(R)	MK50DX256CLL7(R)	MK50DX256CML7(R)
Voltage Range	1.71-3.6 V	1.71-3.6 V	1.71-3.6 V	1.71-3.6 V	1.71-3.6 V	1.71-3.6 V	1.71-3.6 V	1.71-3.6 V
Flash Write V	1.71	1.71	1.71	1.71	1.71	1.71	1.71	1.71
Temp Range	-40 to 85C	-40 to 85C	-40 to 85C	-40 to 85C	-40 to 85C	-40 to 85C	-40 to 85C	-40 to 85C

4.4.2 K50 family features (72MHz Performance) 2

Table 4. K50 72MHz Performance Table 2

MC Partnumber	MK51DX128CLH7(R)	MK51DX128CEX7(R)	MK51DX128CLK7(R)	MK51DX256CLK7(R)	MK51DX128CMB7(R)	MK51DX256CMB7(R)	MK51DX256CLL7(R)	MK51DX256CML7(R)
General								
CPU Frequency	72 MHz	72 MHz	72 MHz	72 MHz	72 MHz	72 MHz	72 MHz	72 MHz
Pin Count	64	64	80	80	81	81	100	104
Package	LQFP	LQFN	LQFP	LQFP	MAPBG A	MAPBG A	LQFP	MAPBG A
Memories and Memory Interfaces								
Total Flash Memory	160KB	160KB	160KB	288KB	160KB	288KB	288KB	288KB
Flash	128KB	128KB	128KB	256KB	128KB	256KB	256KB	256KB
FlexNVM	32KB	32KB	32KB	32KB	32KB	32KB	32KB	32KB
EEPROM/FlexRAM	2KB	2KB	2KB	2KB	2KB	2KB	2KB	2KB
SRAM	32KB	32KB	32KB	64KB	32KB	64KB	64KB	64KB
Serial Programming Interface	YES	YES	YES	YES	YES	YES	YES	YES
External Bus Interface (FlexBus), Addr/Data/CS	-	-	-	-	-	-	-	-
Non-Muxed External Bus Interface (Flexbus), Addr/Data/CS	-	-	-	-	-	-	-	-

Table continues on the next page...

Table 4. K50 72MHz Performance Table 2 (continued)

MC Partnumber	MK51DX128CLH7(R)	MK51DX128CEX7(R)	MK51DX128CLK7(R)	MK51DX256CLK7(R)	MK51DX128CMB7(R)	MK51DX256CMB7(R)	MK51DX256CLL7(R)	MK51DX256CML7(R)
DDR Controller	-	-	-	-	-	-	-	-
NAND Flash Controller	-	-	-	-	-	-	-	-
Cache	-	-	-	-	-	-	-	-
Core Modules								
DSP	YES	YES	YES	YES	YES	YES	YES	YES
SPFPU	-	-	-	-	-	-	-	-
Debug	JTAG, cJTAG, SWD	JTAG, cJTAG, SWD	JTAG, cJTAG, SWD	JTAG, cJTAG, SWD	JTAG, cJTAG, SWD	JTAG, cJTAG, SWD	JTAG, cJTAG, SWD	JTAG, cJTAG, SWD
Trace	TPIU, FPB, DWT, ITM	TPIU, FPB, DWT, ITM	TPIU, FPB, DWT, ITM	TPIU, FPB, DWT, ITM	TPIU, FPB, DWT, ITM	TPIU, FPB, DWT, ITM	TPIU, FPB, DWT, ITM	TPIU, FPB, DWT, ITM
NMI	YES	YES	YES	YES	YES	YES	YES	YES
System Modules								
Software Watchdog	YES	YES	YES	YES	YES	YES	YES	YES
Hardware Watchdog	YES	YES	YES	YES	YES	YES	YES	YES
PMC	YES	YES	YES	YES	YES	YES	YES	YES
MPU	-	-	-	-	-	-	-	-
DMA	16ch	16ch	16ch	16ch	16ch	16ch	16ch	16ch
Clock Modules								
MCG	YES	YES	YES	YES	YES	YES	YES	YES
OSC (32-40kHz/3-32MHz)	YES	YES	YES	YES	YES	YES	YES	YES
RTC (32KHz Osc, Vbat)	YES	YES	YES	YES	YES	YES	YES	YES
Security and Integrity								
Hardware Encryption	-	-	-	-	-	-	-	-
Tamper Detect	-	-	-	-	-	-	-	-
CRC	YES	YES	YES	YES	YES	YES	YES	YES
Analog								
ADC0 (SE:single-ended, DP:differential pair)	15ch SE + 1ch DP	15ch SE + 1ch DP	19ch SE + 3ch DP	19ch SE + 3ch DP	19ch SE + 3ch DP	19ch SE + 3ch DP	19ch SE + 3ch DP	19ch SE + 3ch DP

Table continues on the next page...

Table 4. K50 72MHz Performance Table 2 (continued)

MC Partnumber	MK51DX128CLH7(R)	MK51DX128CEX7(R)	MK51DX128CLK7(R)	MK51DX256CLK7(R)	MK51DX128CMB7(R)	MK51DX256CMB7(R)	MK51DX256CLL7(R)	MK51DX256CML7(R)
ADC1	8ch SE + 2ch DP	8ch SE + 2ch DP	16ch SE + 3ch DP	16ch SE + 3ch DP	16ch SE + 3ch DP	16ch SE + 3ch DP	19ch SE + 3ch DP	20ch SE + 3ch DP
ADC2	-	-	-	-	-	-	-	-
ADC3	-	-	-	-	-	-	-	-
ADC DP	2ch	2ch	4ch	4ch	4ch	4ch	4ch	4ch
ADC SE	16ch	16ch	23ch	23ch	23ch	23ch	24ch	25ch
PGA	1	1	2	2	2	2	2	2
12-bit DAC	1	1	1	1	1	1	1	1
Analog Comparator	2	2	3	3	3	3	3	3
Analog Comparator Inputs	3 / 4 / 1 / 0	3 / 4 / 1 / 0	6 / 5 / 3 / 0	6 / 5 / 3 / 0	6 / 5 / 3 / 0	6 / 5 / 3 / 0	6 / 5 / 5 / 0	6 / 5 / 5 / 0
OPAMP	1	1	2	2	2	2	2	2
TRIAMP	1	1	1	1	1	1	1	1
Vref	YES	YES	YES	YES	YES	YES	YES	YES
Timers								
Motor Control/General purpose/ PWM	1x8ch	1x8ch	1x8ch	1x8ch	1x8ch	1x8ch	1x8ch	1x8ch
Quad decoder/General purpose/ PWM	2x2ch	2x2ch	2x2ch	2x2ch	2x2ch	2x2ch	2x2ch	2x2ch
FTM External CLK	2	2	2	2	2	2	2	2
Low Power Timer	1	1	1	1	1	1	1	1
PIT	1x4ch	1x4ch	1x4ch	1x4ch	1x4ch	1x4ch	1x4ch	1x4ch
PDB	1	1	1	1	1	1	1	1
CMT(Carrier Module Transmitter)	YES	YES	YES	YES	YES	YES	YES	YES
Communication Interfaces								
SDHC	-	-	-	-	-	-	-	-
High Baudrate UART w/ ISO7816	1	1	1	1	1	1	1	1
High Baudrate UART	1	1	1	1	1	1	1	1
UART	1	1	2	2	2	2	2	3
SPI chip selects per module	5 / 0 / 0	5 / 0 / 0	5 / 2 / 0	5 / 2 / 0	5 / 2 / 0	5 / 2 / 0	6 / 3 / 0	6 / 4 / 0
I2C	1	1	2	2	2	2	2	2

Table continues on the next page...

Table 4. K50 72MHz Performance Table 2 (continued)

MC Partnumber	MK51DX128CLH7(R)	MK51DX128CEX7(R)	MK51DX128CLK7(R)	MK51DX256CLK7(R)	MK51DX128CMB7(R)	MK51DX256CMB7(R)	MK51DX256CLL7(R)	MK51DX256CML7(R)
I2S	1	1	1	1	1	1	1	1
CAN	-	-	-	-	-	-	-	-
USB OTG LS/FS w/ on-chip xcvr	1	1	1	1	1	1	1	1
USB OTG HS	-	-	-	-	-	-	-	-
USB DCD	YES	YES	YES	YES	YES	YES	YES	YES
USB 120mAReg	YES	YES	YES	YES	YES	YES	YES	YES
Ethernet w /1588	-	-	-	-	-	-	-	-
IEEE1588 Timer	-	-	-	-	-	-	-	-
Human-Machine Interface								
Segment LCD	16x8/20x 4	16x8/20x 4	24x8/28x 4	24x8/28x 4	24x8/28x 4	24x8/28x 4	32x8/36x 4	38x8/42x 4
Graphic LCD	-	-	-	-	-	-	-	-
TSI(Capacitive Touch)	16 input	16 input	16 input	16 input	16 input	16 input	16 input	16 input
GPIO (w interrupt)	31	31	39	39	39	39	57	78
Operating Characteristics								
5V Tolerant	YES	YES	YES	YES	YES	YES	YES	YES
Voltage Range	1.71-3.6 V	1.71-3.6 V	1.71-3.6 V	1.71-3.6 V	1.71-3.6 V	1.71-3.6 V	1.71-3.6 V	1.71-3.6 V
Flash Write V	1.71	1.71	1.71	1.71	1.71	1.71	1.71	1.71
Temp Range	-40 to 85C	-40 to 85C	-40 to 85C	-40 to 85C	-40 to 85C	-40 to 85C	-40 to 85C	-40 to 85C

4.4.3 K50 family features (100MHz Performance) 1

Table 5. K50 100MHz Performance Table 1

MC Partnumber	MK50DX256ZCLK10(R)	MK50DX256ZCMB10(R)	MK50DX256ZCLL10(R)	MK50DN512ZCLL10(R)	MK50DX256ZCMC10(R)	MK50DN512ZCMC10(R)	MK50DN512ZCLQ10(R)	MK50DN512ZCMD10(R)
General								
CPU Frequency	100 MHz	100 MHz	100 MHz	100 MHz	100 MHz	100 MHz	100 MHz	100 MHz
Pin Count	80	81	100	100	121	121	144	144
Package	LQFP	MAPBG A	LQFP	LQFP	MAPBG A	MAPBG A	LQFP	MAPBG A
Memories and Memory Interfaces								
Total Flash Memory	512KB	512KB	512KB	512KB	512KB	512KB	512KB	512KB
Flash	256KB	256KB	256KB	512KB	256KB	512KB	512KB	512KB
FlexNVM	256KB	256KB	256KB	-	256KB	-	-	-
EEPROM/FlexRAM	4KB	4KB	4KB	-	4KB	-	-	-
SRAM	64KB	64KB	64KB	128KB	64KB	128KB	128KB	128KB
Serial Programming Interface	YES	YES	YES	YES	YES	YES	YES	YES
External Bus Interface (FlexBus), Addr/Data/CS	20/16/4	20/16/5	21/16/5	21/16/5	32/32/6	32/32/6	32/32/6	32/32/6
Non-Muxed External Bus Interface (Flexbus), Addr/Data/CS	-	-	21/8/5	21/8/5	30/16/6, 30/8/6	30/16/6, 30/8/6	30/16/6, 30/8/6	30/16/6, 30/8/6
DDR Controller	-	-	-	-	-	-	-	-
NAND Flash Controller	-	-	-	-	-	-	-	-
Cache	-	-	-	-	-	-	-	-
Core Modules								
DSP	YES	YES	YES	YES	YES	YES	YES	YES
SPFPU	-	-	-	-	-	-	-	-
Debug	JTAG, cJTAG, SWD	JTAG, cJTAG, SWD	JTAG, cJTAG, SWD	JTAG, cJTAG, SWD	JTAG, cJTAG, SWD	JTAG, cJTAG, SWD	JTAG, cJTAG, SWD	JTAG, cJTAG, SWD
Trace	TPIU, FPB, DWT, ITM, ETM, ETB	TPIU, FPB, DWT, ITM, ETM, ETB	TPIU, FPB, DWT, ITM, ETM, ETB	TPIU, FPB, DWT, ITM, ETM, ETB	TPIU, FPB, DWT, ITM, ETM, ETB	TPIU, FPB, DWT, ITM, ETM, ETB	TPIU, FPB, DWT, ITM, ETM, ETB	TPIU, FPB, DWT, ITM, ETM, ETB
NMI	YES	YES	YES	YES	YES	YES	YES	YES

Table continues on the next page...

Table 5. K50 100MHz Performance Table 1 (continued)

MC Partnumber	MK50DX256ZCLK10(R)	MK50DX256ZCMB10(R)	MK50DX256ZCCLL10(R)	MK50DN512ZCCLL10(R)	MK50DX256ZC10(R)	MK50DN512ZC10(R)	MK50DN512ZCCLQ10(R)	MK50DN512ZCMD10(R)
System Modules								
Software Watchdog	YES	YES	YES	YES	YES	YES	YES	YES
Hardware Watchdog	YES	YES	YES	YES	YES	YES	YES	YES
PMC	YES	YES	YES	YES	YES	YES	YES	YES
MPU	YES	YES	YES	YES	YES	YES	YES	YES
DMA	16ch	16ch	16ch	16ch	16ch	16ch	16ch	16ch
Clock Modules								
MCG	YES	YES	YES	YES	YES	YES	YES	YES
OSC (32-40kHz/3-32MHz)	YES	YES	YES	YES	YES	YES	YES	YES
RTC (32KHz Osc, Vbat)	YES	YES	YES	YES	YES	YES	YES	YES
Security and Integrity								
Hardware Encryption	-	-	-	-	-	-	-	-
Tamper Detect	-	-	-	-	-	-	-	-
CRC	YES	YES	YES	YES	YES	YES	YES	YES
Analog								
ADC0 (SE:single-ended, DP:differential pair)	19ch SE + 3ch DP	19ch SE + 3ch DP	19ch SE + 3ch DP	19ch SE + 3ch DP	19ch SE + 3ch DP	19ch SE + 3ch DP	21ch SE + 3ch DP	21ch SE + 3ch DP
ADC1	16ch SE + 3ch DP	16ch SE + 3ch DP	18ch SE + 3ch DP	18ch SE + 3ch DP	20ch SE + 3ch DP	20ch SE + 3ch DP	22ch SE + 3ch DP	22ch SE + 3ch DP
ADC2	-	-	-	-	-	-	-	-
ADC3	-	-	-	-	-	-	-	-
ADC DP	4ch	4ch	4ch	4ch	4ch	4ch	4ch	4ch
ADC SE	23ch	18ch	18ch	18ch	20ch	20ch	25ch	25ch
PGA	2	2	2	2	2	2	2	2
12-bit DAC	2	2	2	2	2	2	2	2
Analog Comparator	3	3	3	3	3	3	3	3
Analog Comparator Inputs	6 / 5 / 3 / 0	6 / 5 / 3 / 0	6 / 5 / 5 / 0	6 / 5 / 5 / 0	6 / 5 / 5 / 0	6 / 5 / 5 / 0	6 / 5 / 5 / 0	6 / 5 / 5 / 0
OPAMP	2	2	2	2	2	2	2	2
TRIAMP	2	2	2	2	2	2	2	2

Table continues on the next page...

Table 5. K50 100MHz Performance Table 1 (continued)

MC Partnumber	MK50DX256ZCLK10(R)	MK50DX256ZCMB10(R)	MK50DX256ZCCLL10(R)	MK50DN512ZCCLL10(R)	MK50DX256ZC10(R)	MK50DN512ZC10(R)	MK50DN512ZCCLQ10(R)	MK50DN512ZCMD10(R)
Vref	YES	YES	YES	YES	YES	YES	YES	YES
Timers								
Motor Control/General purpose/ PWM	1x8ch	1x8ch	1x8ch	1x8ch	1x8ch	1x8ch	1x8ch	1x8ch
Quad decoder/General purpose/ PWM	2x2ch	2x2ch	2x2ch	2x2ch	2x2ch	2x2ch	2x2ch	2x2ch
FTM External CLK	2	2	2	2	2	2	2	2
Low Power Timer	1	1	1	1	1	1	1	1
PIT	1x4ch	1x4ch	1x4ch	1x4ch	1x4ch	1x4ch	1x4ch	1x4ch
PDB	1	1	1	1	1	1	1	1
CMT(Carrier Module Transmitter)	YES	YES	YES	YES	YES	YES	YES	YES
Communication Interfaces								
SDHC	-	-	4-bit	4-bit	8-bit, CLKIN	8-bit, CLKIN	8-bit, CLKIN	8-bit, CLKIN
High Baudrate UART w/ ISO7816	1	1	1	1	1	1	1	1
High Baudrate UART	1	1	1	1	1	1	1	1
UART	1 / 1	1 / 1	3	3	4	4	4	4
SPI chip selects per module	5 / 1 / 0	5 / 1 / 0	6 / 3 / 1	6 / 3 / 1	6 / 4 / 2	6 / 4 / 2	6 / 4 / 2	6 / 4 / 2
I2C	2	2	2	2	2	2	2	2
I2S	1	1	1	1	1	1	1	1
CAN	-	-	-	-	-	-	-	-
USB OTG LS/FS w/ on-chip xcvr	1	1	1	1	1	1	1	1
USB OTG HS	-	-	-	-	-	-	-	-
USB DCD	YES	YES	YES	YES	YES	YES	YES	YES
USB 120mAReg	YES	YES	YES	YES	YES	YES	YES	YES
Ethernet w /1588	-	-	-	-	-	-	-	-
IEEE1588 Timer	-	-	-	-	-	-	-	-
Human-Machine Interface								
Segment LCD	-	-	-	-	-	-	-	-
Graphic LCD	-	-	-	-	-	-	-	-

Table continues on the next page...

Table 5. K50 100MHz Performance Table 1 (continued)

MC Partnumber	MK50DX256ZCLK10(R)	MK50DX256ZCMB10(R)	MK50DX256ZCCL10(R)	MK50DN512ZCCL10(R)	MK50DX256ZCMC10(R)	MK50DN512ZCMC10(R)	MK50DN512ZCCLQ10(R)	MK50DN512ZCMD10(R)
TSI(Capacitive Touch)	16 input	16 input	16 input	16 input	16 input	16 input	16 input	16 input
GPIO (w interrupt)	39	39	59	59	78	78	96	96
Operating Characteristics								
5V Tolerant	YES	YES	YES	YES	YES	YES	YES	YES
Voltage Range	1.71-3.6 V	1.71-3.6 V	1.71-3.6 V	1.71-3.6 V	1.71-3.6 V	1.71-3.6 V	1.71-3.6 V	1.71-3.6 V
Flash Write V	1.71	1.71	1.71	1.71	1.71	1.71	1.71	1.71
Temp Range	-40 to 85C	-40 to 85C	-40 to 85C	-40 to 85C	-40 to 85C	-40 to 85C	-40 to 85C	-40 to 85C

4.4.4 K50 family features (100MHz Performance) 2

Table 6. K50 100MHz Performance Table 2

MC Partnumber	MK51DX256ZCLK10(R)	MK51DX256ZCMB10(R)	MK51DX256ZCCL10(R)	MK51DN512ZCCL10(R)	MK51DX256ZCMC10(R)	MK51DN512ZCMC10(R)	MK51DN256ZCCLQ10(R)	MK51DN256ZCMD10(R)	MK51DN512ZCCLQ10(R)	MK51DN512ZCMD10(R)	MK52DN512ZCMD10(R)	MK53DN512ZCCLQ10(R)	MK53DN512ZCMD10(R)	MK53DX256ZCCLQ10(R)	MK53DX256ZCMD10(R)
General															
CPU Frequency	100 MHz	100 MHz	100 MHz	100 MHz	100 MHz	100 MHz	100 MHz	100 MHz	100 MHz	100 MHz	100 MHz	100 MHz	100 MHz	100 MHz	100 MHz
Pin Count	80	81	100	100	121	121	144	144	144	144	144	144	144	144	144
Package	LQFP	MAPBGA	LQFP	LQFP	MAPBGA	MAPBGA	LQFP	MAPBGA	LQFP	MAPBGA	LQFP	MAPBGA	LQFP	MAPBGA	MAPBGA
Memories and Memory Interfaces															
Total Flash Memory	512 KB	512 KB	512 KB	512 KB	512 KB	512 KB	256 KB	256 KB	512 KB	512 KB	512 KB	512 KB	512 KB	512 KB	512 KB
Flash	256 KB	256 KB	256 KB	512 KB	256 KB	512 KB	256 KB	256 KB	512 KB	512 KB	512 KB	512 KB	512 KB	256 KB	256 KB

Table continues on the next page...

Table 6. K50 100MHz Performance Table 2 (continued)

MC Partnumber	MK51DX256ZCLK10(R)	MK51DX256ZCMB10(R)	MK51DX256ZCLL10(R)	MK51DN512ZCLL10(R)	MK51DX256ZCMC10(R)	MK51DN512ZCMC10(R)	MK51DN256ZCLQ10(R)	MK51DN256ZCMD10(R)	MK51DN512ZCLQ10(R)	MK51DN512ZCMD10(R)	MK52DN512ZCLQ10(R)	MK52DN512ZCMD10(R)	MK53DN512ZCLQ10(R)	MK53DN512ZCMD10(R)	MK53DX256ZCLQ10(R)	MK53DX256ZCMD10(R)
FlexNVM	256 KB	256 KB	256 KB	-	256 KB	-	-	-	-	-	-	-	-	-	256 KB	256 KB
EEPROM/FlexRAM	4KB	4KB	4KB	-	4KB	-	-	-	-	-	-	-	-	-	4KB	4KB
SRAM	64K B	64K B	64K B	128 KB	64K B	128 KB	64K B	64K B	128 KB	128 KB	128 KB	128 KB	128 KB	128 KB	64K B	64K B
Serial Programming Interface	YES	YES	YES	YES	YES	YES	YES	YES	YES	YES	YES	YES	YES	YES	YES	YES
External Bus Interface (FlexBus), Addr/Data/CS	-	-	-	-	-	-	21/1 6/6	21/1 6/6	21/1 6/6	21/1 6/6	32/3 2/6	32/3 2/6	21/1 6/6	21/1 6/6	21/1 6/6	21/1 6/6
Non-Muxed External Bus Interface (Flexbus), Addr/Data/CS	-	-	-	-	-	-	21/8 /6	21/8 /6	21/8 /6	21/8 /6	30/1 6/6, 30/8 /6	30/1 6/6, 30/8 /6	21/8 /6	21/8 /6	21/8 /6	21/8 /6
DDR Controller	-	-	-	-	-	-	-	-	-	-	-	-	-	-	-	-
NAND Flash Controller	-	-	-	-	-	-	-	-	-	-	-	-	-	-	-	-
Cache	-	-	-	-	-	-	-	-	-	-	-	-	-	-	-	-
Core Modules																
DSP	YES	YES	YES	YES	YES	YES	YES	YES	YES	YES	YES	YES	YES	YES	YES	YES
SPFPU	-	-	-	-	-	-	-	-	-	-	-	-	-	-	-	-
Debug	JTA G, cJT AG, SW D	JTA G, cJT AG, SW D	JTA G, cJT AG, SW D	JTA G, cJT AG, SW D	JTA G, cJT AG, SW D	JTA G, cJT AG, SW D	JTA G, cJT AG, SW D	JTA G, cJT AG, SW D	JTA G, cJT AG, SW D	JTA G, cJT AG, SW D	JTA G, cJT AG, SW D	JTA G, cJT AG, SW D	JTA G, cJT AG, SW D	JTA G, cJT AG, SW D	JTA G, cJT AG, SW D	JTA G, cJT AG, SW D
Trace	TPI U, FPB DW T, ITM, ETM ETB	TPI U, FPB DW T, ITM, ETM ETB	TPI U, FPB DW T, ITM, ETM ETB	TPI U, FPB DW T, ITM, ETM ETB	TPI U, FPB DW T, ITM, ETM ETB	TPI U, FPB DW T, ITM, ETM ETB	TPI U, FPB DW T, ITM, ETM ETB	TPI U, FPB DW T, ITM, ETM ETB	TPI U, FPB DW T, ITM, ETM ETB	TPI U, FPB DW T, ITM, ETM ETB	TPI U, FPB DW T, ITM, ETM ETB	TPI U, FPB DW T, ITM, ETM ETB	TPI U, FPB DW T, ITM, ETM ETB	TPI U, FPB DW T, ITM, ETM ETB	TPI U, FPB DW T, ITM, ETM ETB	TPI U, FPB DW T, ITM, ETM ETB
NMI	YES	YES	YES	YES	YES	YES	YES	YES	YES	YES	YES	YES	YES	YES	YES	YES

Table continues on the next page...

Table 6. K50 100MHz Performance Table 2 (continued)

MC Partnumber	MK51DX256ZCLK10(R)	MK51DX256ZCMB10(R)	MK51DX256ZCLL10(R)	MK51DN512ZCLL10(R)	MK51DX256ZCMC10(R)	MK51DN512ZCMC10(R)	MK51DN256ZCLQ10(R)	MK51DN256ZCMD10(R)	MK51DN512ZCLQ10(R)	MK51DN512ZCMD10(R)	MK52DN512ZCLQ10(R)	MK52DN512ZCMD10(R)	MK53DN512ZCLQ10(R)	MK53DN512ZCMD10(R)	MK53DX256ZCLQ10(R)	MK53DX256ZCMD10(R)
System Modules																
Software Watchdog	YES	YES	YES	YES	YES	YES	YES	YES	YES	YES	YES	YES	YES	YES	YES	YES
Hardware Watchdog	YES	YES	YES	YES	YES	YES	YES	YES	YES	YES	YES	YES	YES	YES	YES	YES
PMC	YES	YES	YES	YES	YES	YES	YES	YES	YES	YES	YES	YES	YES	YES	YES	YES
MPU	YES	YES	YES	YES	YES	YES	YES	YES	YES	YES	YES	YES	YES	YES	YES	YES
DMA	16ch	16ch	16ch	16ch	16ch	16ch	16ch	16ch	16ch	16ch	16ch	16ch	16ch	16ch	16ch	16ch
Clock Modules																
MCG	YES	YES	YES	YES	YES	YES	YES	YES	YES	YES	YES	YES	YES	YES	YES	YES
OSC (32-40kHz/ 3-32MHz)	YES	YES	YES	YES	YES	YES	YES	YES	YES	YES	YES	YES	YES	YES	YES	YES
RTC (32KHz Osc, Vbat)	YES	YES	YES	YES	YES	YES	YES	YES	YES	YES	YES	YES	YES	YES	YES	YES
Security and Integrity																
Hardware Encryption	-	-	-	-	-	-	-	-	-	-	YES	YES	YES	YES	YES	YES
Tamper Detect	-	-	-	-	-	-	-	-	-	-	-	-	-	-	-	-
CRC	YES	YES	YES	YES	YES	YES	YES	YES	YES	YES	YES	YES	YES	YES	YES	YES
Analog																
ADC0 (SE:single-ended, DP:differential pair)	19ch SE + 3ch DP	19ch SE + 3ch DP	19ch SE + 3ch DP	19ch SE + 3ch DP	19ch SE + 3ch DP	19ch SE + 3ch DP	21ch SE + 3ch DP	21ch SE + 3ch DP	21ch SE + 3ch DP	21ch SE + 3ch DP	21ch SE + 3ch DP	21ch SE + 3ch DP	21ch SE + 3ch DP	21ch SE + 3ch DP	21ch SE + 3ch DP	21ch SE + 3ch DP
ADC1	16ch SE + 3ch DP	16ch SE + 3ch DP	19ch SE + 3ch DP	19ch SE + 3ch DP	20ch SE + 3ch DP	20ch SE + 3ch DP	22ch SE + 3ch DP	22ch SE + 3ch DP	22ch SE + 3ch DP	22ch SE + 3ch DP	22ch SE + 3ch DP	22ch SE + 3ch DP	22ch SE + 3ch DP	22ch SE + 3ch DP	22ch SE + 3ch DP	22ch SE + 3ch DP
ADC2	-	-	-	-	-	-	-	-	-	-	-	-	-	-	-	-
ADC3	-	-	-	-	-	-	-	-	-	-	-	-	-	-	-	-
ADC DP	4ch	4ch	4ch	4ch	4ch	4ch	4ch	4ch	4ch	4ch	4ch	4ch	4ch	4ch	4ch	4ch
ADC SE	23ch	18ch	18ch	18ch	20ch	20ch	25ch	25ch	25ch	25ch	25ch	25ch	25ch	25ch	25ch	25ch

Table continues on the next page...

Table 6. K50 100MHz Performance Table 2 (continued)

MC Partnumber	MK51DX256ZCLK10(R)	MK51DX256ZCMB10(R)	MK51DX256ZCLL10(R)	MK51DN512ZCLL10(R)	MK51DX256ZCMC10(R)	MK51DN512ZCMC10(R)	MK51DN256ZCLQ10(R)	MK51DN256ZCMD10(R)	MK51DN512ZCLQ10(R)	MK51DN512ZCMD10(R)	MK52DN512ZCLQ10(R)	MK52DN512ZCMD10(R)	MK53DN512ZCLQ10(R)	MK53DN512ZCMD10(R)	MK53DX256ZCLQ10(R)	MK53DX256ZCMD10(R)
PGA	2	2	2	2	2	2	2	2	2	2	2	2	2	2	2	2
12-bit DAC	2	2	2	2	2	2	2	2	2	2	2	2	2	2	2	2
Analog Comparator	3	3	3	3	3	3	3	3	3	3	3	3	3	3	3	3
Analog Comparator Inputs	6 / 5 / 3 / 0	6 / 5 / 3 / 0	6 / 5 / 5 / 0	6 / 5 / 5 / 0	6 / 5 / 5 / 0	6 / 5 / 5 / 0	6 / 5 / 5 / 0	6 / 5 / 5 / 0	6 / 5 / 5 / 0	6 / 5 / 5 / 0	6 / 5 / 5 / 0	6 / 5 / 5 / 0	6 / 5 / 5 / 0	6 / 5 / 5 / 0	6 / 5 / 5 / 0	6 / 5 / 5 / 0
OPAMP	2	2	2	2	2	2	2	2	2	2	2	2	2	2	2	2
TRIAMP	2	2	2	2	2	2	2	2	2	2	2	2	2	2	2	2
Vref	YES	YES	YES	YES	YES	YES	YES	YES	YES	YES	YES	YES	YES	YES	YES	YES
Timers																
Motor Control/ General purpose/ PWM	1x8c h	1x8c h	1x8c h	1x8c h	1x8c h	1x8c h	1x8c h	1x8c h	1x8c h	1x8c h	1x8c h	1x8c h	1x8c h	1x8c h	1x8c h	1x8c h
Quad decoder/ General purpose/ PWM	2x2c h	2x2c h	2x2c h	2x2c h	2x2c h	2x2c h	2x2c h	2x2c h	2x2c h	2x2c h	2x2c h	2x2c h	2x2c h	2x2c h	2x2c h	2x2c h
FTM External CLK	2	2	2	2	2	2	2	2	2	2	2	2	2	2	2	2
Low Power Timer	1	1	1	1	1	1	1	1	1	1	1	1	1	1	1	1
PIT	1x4c h	1x4c h	1x4c h	1x4c h	1x4c h	1x4c h	1x4c h	1x4c h	1x4c h	1x4c h	1x4c h	1x4c h	1x4c h	1x4c h	1x4c h	1x4c h
PDB	1	1	1	1	1	1	1	1	1	1	1	1	1	1	1	1
CMT(Carrier Module Transmitter)	YES	YES	YES	YES	YES	YES	YES	YES	YES	YES	YES	YES	YES	YES	YES	YES
Communication Interfaces																
SDHC	-	-	4-bit	4-bit	8-bit, CLK IN	8-bit, CLK IN	8-bit, CLK IN	8-bit, CLK IN	8-bit, CLK IN	8-bit, CLK IN	8-bit, CLK IN	8-bit, CLK IN	8-bit, CLK IN	8-bit, CLK IN	8-bit, CLK IN	8-bit, CLK IN
High Baudrate UART w/ ISO7816	1	1	1	1	1	1	1	1	1	1	1	1	1	1	1	1
High Baudrate UART	1	1	1	1	1	1	1	1	1	1	1	1	1	1	1	1
UART	2	2	2	2	4	4	4	4	4	4	4	4	4	4	4	4

Table continues on the next page...

Table 6. K50 100MHz Performance Table 2 (continued)

MC Partnumber	MK51DX256ZCLK10(R)	MK51DX256ZCMB10(R)	MK51DX256ZCLL10(R)	MK51DN512ZCLL10(R)	MK51DX256ZCNC10(R)	MK51DN512ZCNC10(R)	MK51DN256ZCCLQ10(R)	MK51DN256ZCMD10(R)	MK51DN512ZCCLQ10(R)	MK51DN512ZCMD10(R)	MK52DN512ZCCLQ10(R)	MK52DN512ZCMD10(R)	MK53DN512ZCCLQ10(R)	MK53DN512ZCMD10(R)	MK53DX256ZCCLQ10(R)	MK53DX256ZCMD10(R)
SPI chip selects per module	5 / 2/0	5 / 2/0	6 / 3/1	6 / 3/1	6 / 4/2	6 / 4/2	6 / 4/2	6 / 4/2	6 / 4/2	6 / 4/2	6 / 4/2	6 / 4/2	6 / 4/2	6 / 4/2	6 / 4/2	6 / 4/2
I2C	2	2	2	2	2	2	2	2	2	2	2	2	2	2	2	2
I2S	1	1	1	1	1	1	1	1	1	1	1	1	1	1	1	1
CAN	-	-	-	-	-	-	-	-	-	-	-	-	-	-	-	-
USB OTG LS/FS w/ on-chip xcvr	1	1	1	1	1	1	1	1	1	1	1	1	1	1	1	1
USB OTG HS	-	-	-	-	-	-	-	-	-	-	-	-	-	-	-	-
USB DCD	YES	YES	YES	YES	YES	YES	YES	YES	YES	YES	YES	YES	YES	YES	YES	YES
USB 120mAReg	YES	YES	YES	YES	YES	YES	YES	YES	YES	YES	YES	YES	YES	YES	YES	YES
Ethernet w /1588	-	-	-	-	-	-	-	-	-	-	MII / RMII	MII / RMII	MII / RMII	MII / RMII	MII / RMII	MII / RMII
IEEE1588 Timer	-	-	-	-	-	-	-	-	-	-	1x4c h, CLK IN	1x4c h, CLK IN	1x4c h, CLK IN	1x4c h, CLK IN	1x4c h, CLK IN	1x4c h, CLK IN
Human-Machine Interface																
Segment LCD	24x8 / 28x4	24x8 / 28x4	32x8 / 36x4	32x8 / 36x4	38x8 / 42x4	38x8 / 42x4	40x8 / 44x4	40x8 / 44x4	40x8 / 44x4	40x8 / 44x4	-	-	40x8 / 44x4	40x8 / 44x4	40x8 / 44x4	40x8 / 44x4
Graphic LCD	-	-	-	-	-	-	-	-	-	-	-	-	-	-	-	-
TSI(Capacitive Touch)	16 input	16 input	16 input	16 input	16 input	16 input	16 input	16 input	16 input	16 input	16 input	16 input	16 input	16 input	16 input	16 input
GPIO (w interrupt)	39	39	57	57	78	78	94	94	94	94	96	96	94	94	94	94
Operating Characteristics																
5V Tolerant	YES	YES	YES	YES	YES	YES	YES	YES	YES	YES	YES	YES	YES	YES	YES	YES
Voltage Range	1.71 -3.6 V	1.71 -3.6 V	1.71 -3.6 V	1.71 -3.6 V	1.71 -3.6 V	1.71 -3.6 V	1.71 -3.6 V	1.71 -3.6 V	1.71 -3.6 V	1.71 -3.6 V	1.71 -3.6 V	1.71 -3.6 V	1.71 -3.6 V	1.71 -3.6 V	1.71 -3.6 V	1.71 -3.6 V
Flash Write V	1.71	1.71	1.71	1.71	1.71	1.71	1.71	1.71	1.71	1.71	1.71	1.71	1.71	1.71	1.71	1.71
Temp Range	-40 to 85C	-40 to 85C	-40 to 85C	-40 to 85C	-40 to 85C	-40 to 85C	-40 to 85C	-40 to 85C	-40 to 85C	-40 to 85C	-40 to 85C	-40 to 85C	-40 to 85C	-40 to 85C	-40 to 85C	-40 to 85C

4.5 Module-by-module feature list

The following sections describe the high-level module features for the family's superset device. See the previous section for differences among the subset devices.

4.5.1 Core modules

4.5.1.1 ARM Cortex-M4 Core

- Supports up to 100 MHz frequency with 1.25DMIPS/MHz
- ARM Core based on the ARMv7 Architecture & Thumb[®]-2 ISA
- Microcontroller cores focused on very cost sensitive, deterministic, interrupt driven environments
- Harvard bus architecture
- 3-stage pipeline with branch speculation
- Integrated bus matrix
- Integrated Digital Signal Processor (DSP)
- Configurable nested vectored interrupt controller (NVIC)
- Advanced configurable debug and trace components
- Embedded Trace Macrocell (ETM)

4.5.1.2 Nested Vectored Interrupt Controller (NVIC)

- Close coupling with Cortex-M4 core's Harvard architecture enables low latency interrupt handling
- Up to 120 interrupt sources
- Includes a single non-maskable interrupt
- 16 levels of priority, with each interrupt source dynamically configurable
- Supports nesting of interrupts when higher priority interrupts are activated
- Relocatable vector table

4.5.1.3 Wake-up Interrupt Controller (WIC)

- Supports interrupt handling when system clocking is disabled in low power modes
- Takes over and emulates the NVIC behavior when correctly primed by the NVIC on entry to very-deep-sleep
- A rudimentary interrupt masking system with no prioritization logic signals for wake-up as soon as a non-masked interrupt is detected
- Contains no programmer's model visible state and is therefore invisible to end users of the device other than through the benefits of reduced power consumption while sleeping

4.5.1.4 Debug Controller

- Serial Wire JTAG Debug Port (SWJ-DP) combines
 - external interface that provides a standard JTAG or cJTAG interface for debug access
 - external interface that provides a serial-wire bidirectional debug interface
- Debug Watchpoint and Trace (DWT) with the following functionality:
 - four comparators configurable as a hardware watchpoint, an ETM trigger, a PC sampler event trigger, or a data address sampler event trigger

System modules

- several counters or a data match event trigger for performance profiling
- configurable to emit PC samples at defined intervals or to emit interrupt event information
- Instrumentation Trace Macrocell (ITM) with the following functionality:
 - Software trace - writes directly to ITM stimulus registers can cause packets to be emitted
 - Hardware trace - packets generated by DWT are emitted by ITM
 - Time stamping - emitted relative to packets
- Embedded Trace Macrocell (ETM) supports instruction trace
- CoreSight™ Embedded Trace Buffer (ETB) is a memory-mapped buffer to store trace data. Allows reconstruction of program flow with standard JTAG tools.
- Test Port Interface Unit (TPIU) acts as a bridge between ITM or ETM and an off-chip Trace Port Analyzer
- Flash Patch and Breakpoints (FPB) implements hardware breakpoints and patches code and data from code space to system space

4.5.2 System modules

4.5.2.1 Power Management Control Unit (PMC)

- Separate digital (regulated) and analog (referenced to digital) supply outputs
- Programmable power saving modes
- No output supply decoupling capacitors required
- Available wake-up from power saving modes via RTC and external inputs
- Integrated Power-on Reset (POR)
- Integrated Low Voltage Detect (LVD) with reset (brownout) capability
- Selectable LVD trip points
- Programmable Low Voltage Warning (LVW) interrupt capability
- Buffered bandgap reference voltage output
- Factory programmed trim for bandgap and LVD
- 1 kHz Low Power Oscillator (LPO)

4.5.2.2 DMA Channel Multiplexer (DMA MUX)

- 16 independently selectable DMA channel routers
- 4 periodic trigger sources available
- Each channel router can be assigned to 1 of 64 possible peripheral DMA sources

4.5.2.3 DMA Controller

- Up to 32 fully programmable channels with 32-byte transfer control descriptors
- Data movement via dual-address transfers for 8-, 16-, 32- and 128-bit data values
- Programmable source, destination addresses, transfer size, support for enhanced address modes
- Support for major and minor nested counters with one request and one interrupt per channel
- Support for channel-to-channel linking and scatter/gather for continuous transfers with fixed priority and round-robin channel arbitration

4.5.2.4 Watchdog Timer (WDOG)

- Independent, configurable clock source input

- Write-once control bits with unlock sequence
- Programmable timeout period
- Ability to test watchdog timer and reset
- Windowed refresh option
- Robust refresh mechanism
- Cumulative count of watchdog resets between power-on resets
- Configurable interrupt on timeout

4.5.2.5 External Watchdog Monitor (EWM)

- Independent 1 kHz LPO clock source
- Output signal to gate an external circuit which is controlled by CPU service or external input

4.5.2.6 System Clocks

- Frequency-locked loop (FLL)
 - Digitally-controlled oscillator (DCO)
 - DCO frequency range is programmable
 - Option to program DCO frequency for a 32,768 Hz external reference clock source
 - Internal or external reference clock can be used to control the FLL
 - 0.2% resolution using 32 kHz internal reference clock
 - 2% deviation over voltage and temperature using internal 32 kHz internal reference clock, 1% deviation with limited temperature range (0°C to 70°C)
- Phase-locked loop (PLL)
 - Voltage-controlled oscillator (VCO)
 - External reference clock is used to control the PLL
 - Modulo VCO frequency divider Phase/Frequency detector
 - Integrated loop filter
- Internal reference clock generator
 - Slow clock with nine trim bits for accuracy
 - Fast clock with four trim bits
 - Can be used to control the FLL
 - Either the slow or the fast clock can be selected as the clock source for the MCU
 - Can be used as a clock source for other on-chip peripherals
- External clock from the Crystal Oscillator (XOSC)
 - Can be used to control the FLL and/or the PLL
 - Can be selected as the clock source for the MCU
- External clock monitor with reset request capability
- Lock detector with interrupt request capability for use with the PLL
- Auto Trim Machine (ATM) for trimming both the slow and fast internal reference clocks
- Multiple clock source options available for most peripherals

4.5.3 Memories and Memory Interfaces

4.5.3.1 On-Chip Memory

- 72MHz performance devices

Security and Integrity

- Up to 256KB program flash memory
- Flexmemory block contains up to 32KB FlexNVM and 2KB FlexRAM with up to 2KB EEPROM capability
- Up to 64KB SRAM

- 100MHz performance devices
 - Up to 512KB program flash memory
 - Flexmemory block contains up to 256KB FlexNVM and 4KB FlexRAM with up to 4KB EEPROM capability
 - Up to 128KB SRAM

- Security circuitry to prevent unauthorized access to RAM and flash contents

4.5.3.2 External Bus Interface (FlexBus)

- Six independent, user-programmable chip-select signals that can interface with external SRAM, PROM, EPROM, EEPROM, flash, and other peripherals
- Supports up to 2 GB addressable space
- 8-, 16- and 32-bit port sizes with configuration for multiplexed or non-multiplexed address and data buses
- Byte-, word-, longword-, and 16-byte line-sized transfers
- Programmable address-setup time with respect to the assertion of chip select
- Programmable address-hold time with respect to the negation of chip select and transfer direction

4.5.3.3 Serial Programming Interface (EzPort)

- Same serial interface as, and subset of, the command set used by industry-standard SPI flash memories
- Ability to read, erase, and program flash memory
- Reset command to boot the system after flash programming

4.5.4 Security and Integrity

4.5.4.1 Cyclic Redundancy Check (CRC)

- Hardware CRC generator circuit using 16/32-bit shift register
- User Configurable 16/32 bit CRC
- Programmable Generator Polynomial
- Error detection for all single, double, odd, and most multi-bit errors
- Programmable initial seed value
- High-speed CRC calculation
- Optional feature to transpose input data and CRC result via transpose register, required on applications where bytes are in lsb format

4.5.4.2 Hardware Cryptographic Acceleration Unit (CAU)

- Supports DES, 3DES, AES, MD5, SHA-1, and SHA-256 algorithms
- Simple C calls to optimized security functions provided by Freescale

4.5.4.3 Random Number Generator (RNG)

- Supports the key generation algorithm defined in the Digital Signature Standard

- <http://www.itl.nist.gov/fipspubs/fip186.htm>
- Integrated entropy sources capable of providing the PRNG with entropy for its seed

4.5.5 Analog

4.5.5.1 16-bit Analog-to-Digital Converter (ADC)

- Linear successive approximation algorithm with up to 16-bit resolution
- Output modes:
 - Differential 16-bit, 13-bit, 11-bit, and 9-bit modes, in two's complement 16-bit sign-extended format
 - Single-ended 16-bit, 12-bit, 10-bit, and 8-bit modes, in right-justified unsigned format
- Single or continuous conversion
- Configurable sample time and conversion speed/power
- Conversion complete and hardware average complete flag and interrupt
- Input clock selectable from up to four sources
- Operation in low power modes for lower noise operation
- Asynchronous clock source for lower noise operation with option to output the clock
- Selectable asynchronous hardware conversion trigger with hardware channel select
- Automatic compare with interrupt for various programmable values
- Temperature sensor
- Hardware average function
- Selectable voltage reference
- Self-calibration mode

4.5.5.2 High-Speed Analog Comparator (CMP)

- 6-bit DAC programmable reference generator output
- Up to eight selectable comparator inputs; each input can be compared with any input by any polarity sequence
- Selectable interrupt on rising edge, falling edge, or either rising or falling edges of comparator output
- Comparator output supports:
 - Sampled
 - Windowed (ideal for certain PWM zero-crossing-detection applications)
 - Digitally filtered using external sample signal or scaled peripheral clock
- Two performance modes:
 - Shorter propagation delay at the expense of higher power
 - Low power, with longer propagation delay
- Operational in all MCU power modes

4.5.5.3 12-Bit Digital-to-Analog Converter (DAC)

- 12-bit resolution
- Guaranteed 6-sigma monotonicity over input word
- High- and low-speed conversions
 - 1 μ s conversion rate for high speed, 2 μ s for low speed
- Power-down mode
- Choice of asynchronous or synchronous updates

Timers

- Automatic mode allows the DAC to generate its own output waveforms including square, triangle, and sawtooth
- Automatic mode allows programmable period, update rate, and range
- DMA support with configurable watermark level

4.5.5.4 Voltage Reference (VREF)

- Programmable trim register with 0.5mV steps, automatically loaded with room temp value upon reset
- Programmable mode selection:
 - Off
 - Bandgap out (or stabilization delay)
 - Low-power buffer mode
 - Tight-regulation buffer mode
- 1.2V output at room temperature
- Dedicated output pin

4.5.5.5 General Purpose Operational Amplifier (OPAMP)

- 1.71 - 3.6V VDD operation
- Programmable voltage gain
- On-chip generation of bias voltages
- Low-power, low-voltage CMOS technology
- Low-input offset voltage and current
- Low-input bias current
- Low-current consumption

4.5.5.6 Trans-Impedance Amplifier (TRIAMP)

- 1.71 - 3.6V VDD operation
- On-chip generation of bias voltages
- Low-power, low voltage CMOS technology
- Low-input offset voltage and current
- Low-input bias current
- Low-current consumption

4.5.6 Timers

4.5.6.1 Programmable Delay Block (PDB)

- Up to 15 trigger input sources and software trigger source
- Up to eight configurable PDB channels for ADC hardware trigger
 - One PDB channel is associated with one ADC.
 - One trigger output for ADC hardware trigger and up to eight pre-trigger outputs for ADC trigger select per PDB channel
 - Trigger outputs can be enabled or disabled independently.
 - One 16-bit delay register per pre-trigger output
 - Optional bypass of the delay registers of the pre-trigger outputs
 - Operation in One-Shot or Continuous modes

- Optional back-to-back mode operation, which enables the ADC conversions complete to trigger the next PDB channel
- One programmable delay interrupt
- One sequence error interrupt
- One channel flag and one sequence error flag per pre-trigger
- DMA support
- Up to eight DAC interval triggers
 - One interval trigger output per DAC
 - One 16-bit delay interval register per DAC trigger output
 - Optional bypass the delay interval trigger registers
 - Optional external triggers
- Up to eight pulse outputs (pulse-out's)
 - Pulse-out's can be enabled or disabled independently.
 - Programmable pulse width

4.5.6.2 FlexTimers (FTM)

- Selectable FTM source clock
- Programmable prescaler
- 16-bit counter supporting free-running or initial/final value, and count is up or up-down
- Input capture, output compare, and edge-aligned and center-aligned PWM modes
- Input capture and output compare modes
- Operation of FTM channels as pairs with equal outputs, pairs with complimentary outputs, or independent channels with independent outputs
- Deadtime insertion is available for each complementary pair
- Generation of hardware triggers
- Software control of PWM outputs
- Up to 4 fault inputs for global fault control
- Configurable channel polarity
- Programmable interrupt on input capture, reference compare, overflowed counter, or detected fault condition
- Quadrature decoder with input filters, relative position counting, and interrupt on position count or capture of position count on external event
- DMA support for FTM events
- Global time base mode shares single time base across multiple FTM instances

4.5.6.3 Programmable Interrupt Timers (PITs)

- Up to 4 general purpose interrupt timers
- Up to 4 interrupt timers for triggering ADC conversions
- 32-bit counter resolution
- Clocked by system clock frequency
- DMA support

4.5.6.4 Low Power Timer

- Operation as timer or pulse counter
- Selectable clock for prescaler/glitch filter
 - 1 kHz internal LPO
 - External low power crystal oscillator

Communication interfaces

- Internal reference clock (not available in low leakage power modes)
- Secondary external reference clock (for example, 32 kHz crystal)
- Configurable glitch filter or prescaler
- Interrupt generated on timer compare
- Hardware trigger generated on timer compare

4.5.6.5 Carrier Modulator Timer (CMT)

- Four modes of operation
 - Time with independent control of high and low times
 - Baseband
 - Frequency shift key (FSK)
 - Direct software control of CMT_IRO signal
- Extended space operation in time, baseband, and FSK modes
- Selectable input clock divider
- Interrupt on end of cycle
- Ability to disable CMT_IRO signal and use as timer interrupt

4.5.6.6 Real-Time Clock (RTC)

- Independent power supply, POR and 32 kHz crystal oscillator
- 32-bit seconds counter with 32-bit alarm
- 16-bit prescaler with compensation
- Register write protection
 - Hard Lock requires VBAT POR to enable write access
 - Soft lock requires system reset to enable write/read access

4.5.7 Communication interfaces

4.5.7.1 10/100Mbps Ethernet MAC

- Ethernet controller with 10/100 BaseT/TX capability; half duplex or full duplex
 - Hardware support for *IEEE Standard for a Precision Clock Synchronization Protocol for Networked Measurement and Control Systems*, IEEE 1588
 - Media independent interface (MII) and reduced media independent interface (RMII) support
- Built-in unified DMA
 - On-chip transmit and receive FIFOs
 - Supports legacy buffer descriptor programming models and functionality
 - Enhanced buffer descriptor programming model for new Ethernet functionality
- Supports wake-up from low power mode through magic packets
- Multiple clock source options for time-stamping clock

4.5.7.2 USB On-The-Go Module (FS/LS)

- Complies with USB specification rev 2.0
- USB host mode

- Supports enhanced-host-controller interface (EHCI)
- Allows direct connection of FS/LS devices without an OHCI/UHCI companion controller
- Supported by Linux and other commercially available operating systems
- USB device mode
 - Full-speed operation via the on-chip transceiver
 - Supports one upstream facing port
 - Supports four programmable, bidirectional USB endpoints, including endpoint 0
- Suspend mode/low power
 - As host, firmware can suspend individual devices or the entire USB and disable chip clocks for low-power operation
 - Device supports low-power suspend
 - Remote wake-up supported for host and device
 - Integrated with the processor's low power modes
- Includes an on-chip full-speed (12 Mbps) and low-speed (1.5 Mbps) transceiver

4.5.7.3 USB Device Charger Detect (USBDCD)

- Compatible with systems powered from:
 - Rechargeable battery
 - Non-rechargeable battery
 - External 3.3v LDO regulator powered from USB or
 - Directly from USB using internal regulator
- Programmable event timers for flexibility and better compatibility with future updates to the standards
- Compliant with the latest industry standard specification, USB Battery Charging Specification, Revision 1.1

4.5.7.4 USB Voltage Regulator

- 5V regulator input typically provided by USB VBUS power
- 3.3V regulated output powers on-chip USB transceiver
- Output pin from regulator can be used to power external board components and source up to 120mA
- Eliminates cost of external LDO
- 3.3V regulated output can power MCU main power supply

4.5.7.5 Serial Peripheral Interface (SPI)

- Master and slave mode
- Full-duplex, three-wire synchronous transfers
- Programmable transmit bit rate
- Double-buffered transmit and receive data registers
- Serial clock phase and polarity options
- Slave select output
- Mode fault error flag with CPU interrupt capability
- Control of SPI operation during wait mode
- Selectable MSB-first or LSB-first shifting
- Programmable 8-bit or 16-bit data transmission length
- Receive data buffer hardware match feature
- 64-bit FIFO mode for high speed transfers of large amounts of data
- Support for both transmit and receive by DMA

4.5.7.6 Inter-Integrated Circuit (I²C)

- Compatible with I²C bus standard and *SMBus Specification Version 2* features
- Up to 100 kbps with maximum bus loading
- Multi-master operation
- Software programmable for one of 64 different serial clock frequencies
- Programmable slave address and glitch input filter
- Interrupt or DMA driven byte-by-byte data transfer
- Arbitration lost interrupt with automatic mode switching from master to slave
- Calling address identification interrupt
- Bus busy detection broadcast and 10-bit address extension
- Address matching causes wake-up when processor is in low power mode

4.5.7.7 UART

- Support for ISO 7816 protocol for interfacing with smartcards
- Full-duplex operation
- Standard mark/space non-return-to-zero (NRZ) format
- 13-bit baud rate selection with fractional divide of 32
- Programmable 8-bit or 9-bit data format
- Separately enabled transmitter and receiver
- Programmable transmitter output polarity
- Programmable receive input polarity
- 13-bit break character option
- 11-bit break character detection option
- Parameterizable buffer support for one dataword for each transmit and receive
- Independent FIFO structure for transmit and receive
- Two receiver wakeup methods:
 - Idle line wakeup
 - Address mark wakeup
- Address match feature in receiver to reduce address mark wakeup ISR overhead
- Interrupt or DMA driven operation
- Receiver framing error detection
- Hardware parity generation and checking
- 1/16 bit-time noise detection

4.5.7.8 Secure Digital Host Controller (SDHC)

- Compatible with the following specifications:
 - *SD Host Controller Standard Specification, Version 2.0* (<http://www.sdcard.org>) with test event register and advanced DMA support
 - *MultiMediaCard System Specification, Version 4.2* (<http://www.mmca.org>)
 - *SD Memory Card Specification, Version 2.0* (<http://www.sdcard.org>), supporting high capacity SD memory cards
 - *SDIO Card Specification, Version 2.0* (<http://www.sdcard.org>)
 - *CE-ATA Card Specification, Version 1.0* (<http://www.sdcard.org>)
- Designed to work with CE-ATA, SD Memory, miniSD Memory, SDIO, miniSDIO, SD Combo, MMC, MMCplus, and RS-MMC cards
- SD bus clock frequency up to 50 MHz
- Supports 1-/4-bit SD and SDIO modes, 1-/4-/8-bit MMC modes, 1-/4-/8-bit CE-ATA devices
- Up to 200 Mbps data transfer for SD/SDIO cards using four parallel data lines

- Up to 416 Mbps data transfer for MMC using 8 parallel data lines
- Single- and multi-block read and write
- 1-4096 byte block size
- Write-protection switch for write operations
- Synchronous and asynchronous abort
- Pause during the data transfer at a block gap
- SDIO read wait and suspend/resume operations
- Auto CMD12 for multi-block transfer
- Host can initiate non-data transfer commands while the data transfer is in progress
- Allows cards to interrupt the host in 1- and 4-bit SDIO modes
- Supports interrupt period, defined in the SDIO standard
- Fully configurable 128 x 32-bit FIFO for read/write data
- Internal DMA capabilities
- Supports voltage selection by configuring vendor specific register bit
- Supports advanced DMA to perform linked memory access

4.5.7.9 Synchronous Serial Interface (I2S)

- Independent (asynchronous) or shared (synchronous) transmit and receive sections with separate or shared internal/external clocks and frame syncs, operating in master or slave mode intended for audio support
- Master or slave mode operation
- Normal mode operation using frame sync
- Network mode operation allowing multiple devices to share the port with up to 32 time slots
- Programmable data interface modes, such as I²S, LSB aligned, and MSB aligned
- Programmable word length (8, 10, 12, 16, 18, 20, 22 or 24 bits)
- AC97 support

4.5.8 Human-machine interface

4.5.8.1 General Purpose Input/Output (GPIO)

- Programmable glitch filter and interrupt with selectable polarity on all input pins
- Hysteresis and configurable pull up/down device on all input pins
- Configurable slew rate and drive strength on all output pins
- Independent pin value register to read logic level on digital pin
- Optional devices with 5V tolerance

4.5.8.2 Touch Sensor Input (TSI)

- 16 channel inputs, supporting up to 16 individual touch buttons
- 4 touch buttons can be combined for a slider
- Configurable button- and slider-sensitive interrupts
- Operation in low-power modes allows wakeup from lowest power mode via a single touch
- Option to use internal reference clock

4.5.8.3 Segment LCD

- LCD waveforms functional in low-power modes
- Up to 48 LCD pins with selectable frontplane/backplane configuration

Power modes

- Generate up to 44 frontplane signals
- Generate up to 8 backplanes signals
- Programmable LCD frame frequency
- Programmable blink modes and frequency
 - All segments blank during blink period
 - Alternate display for each LCD segment in x4 or less mode
 - Blink operation in low-power modes
- Programmable LCD power supply switch, making it an ideal solution for battery-powered and board-level applications
 - Charge pump requires only four external capacitors
 - Internal LCD power using VDD
 - Internal VIREG regulated power supply option for 3 V or 5 V LCD glass
 - External VLL3 power supply option (3 V)
- Internal-regulated voltage source with a 4-bit trim register to apply contrast control
- Integrated charge pump for generating LCD bias voltages
 - Hardware-configurable to drive 3 V or 5 V LCD panels
 - On-chip generation of bias voltages
- Waveform storage registers
- Backplane reassignment to assist in vertical scrolling on dot-matrix displays
- Software-configurable LCD frame frequency interrupt

5 Power modes

The power management controller (PMC) provides the user with multiple power options. All together 10 different modes of operation are supported to allow the user to optimize power consumption for the level of functionality needed.

Depending on the stop requirements of the user application, a variety of stop modes are available that provide state retention, partial power down or full power down of certain logic and/or memory. I/O states are held in all modes of operation. The following table compares the various power modes available.

For each run mode there is a corresponding wait and stop mode. Wait modes are similar to ARM sleep modes. Stop modes (VLPS, STOP) are similar to ARM sleep deep mode. The very low power run (VLPR) operating mode can drastically reduce runtime power when the maximum bus frequency is not required to handle the application needs.

The three primary modes of operation are run, wait and stop. The WFI instruction invokes both wait and stop modes for the chip. The primary modes are augmented in a number of ways to provide lower power based on application needs.

Table 7. Chip power modes

Chip mode	Description	Core mode	Normal recovery method
Normal run	Allows maximum performance of chip. Default mode out of reset; on-chip voltage regulator is on.	Run	-
Normal Wait - via WFI	Allows peripherals to function while the core is in sleep mode, reducing power. NVIC remains sensitive to interrupts; peripherals continue to be clocked.	Sleep	Interrupt
Normal Stop - via WFI	Places chip in static state. Lowest power mode that retains all registers while maintaining LVD protection. NVIC is disabled; AWIC is used to wake up from interrupt; peripheral clocks are stopped.	Sleep Deep	Interrupt

Table continues on the next page...

Table 7. Chip power modes (continued)

Chip mode	Description	Core mode	Normal recovery method
VLPR (Very Low Power Run)	On-chip voltage regulator is in a low power mode that supplies only enough power to run the chip at a reduced frequency. Reduced frequency Flash access mode (1 MHz); LVD off; internal oscillator provides a low power 2 MHz source for the core, the bus and the peripheral clocks.	Run	Interrupt
VLPW (Very Low Power Wait) -via WFI	Same as VLPR but with the core in sleep mode to further reduce power; NVIC remains sensitive to interrupts (FCLK = ON). On-chip voltage regulator is in a low power mode that supplies only enough power to run the chip at a reduced frequency.	Sleep	Interrupt
VLPS (Very Low Power Stop)-via WFI	Places chip in static state with LVD operation off. Lowest power mode with ADC and pin interrupts functional. Peripheral clocks are stopped, but LPTimer, RTC, CMP, TSI, DAC can be used. NVIC is disabled (FCLK = OFF); AWIC is used to wake up from interrupt. On-chip voltage regulator is in a low power mode that supplies only enough power to run the chip at a reduced frequency. All SRAM is operating (content retained and I/O states held).	Sleep Deep	Interrupt
LLS (Low Leakage Stop)	State retention power mode. Most peripherals are in state retention mode (with clocks stopped), but LLWU, LPTimer, RTC, CMP, TSI, DAC can be used. NVIC is disabled; LLWU is used to wake up. NOTE: The LLWU interrupt must not be masked by the interrupt controller to avoid a scenario where the system does not fully exit stop mode on an LLS recovery. All SRAM is operating (content retained and I/O states held).	Sleep Deep	Wakeup Interrupt ¹
VLLS3 (Very Low Leakage Stop3)	Most peripherals are disabled (with clocks stopped), but LLWU, LPTimer, RTC, CMP, TSI, DAC can be used. NVIC is disabled; LLWU is used to wake up. SRAM_U and SRAM_L remain powered on (content retained and I/O states held).	Sleep Deep	Wakeup Reset ²
VLLS2 (Very Low Leakage Stop2)	Most peripherals are disabled (with clocks stopped), but LLWU, LPTimer, RTC, CMP, TSI, DAC can be used. NVIC is disabled; LLWU is used to wake up. SRAM_L is powered off. A portion of SRAM_U remains powered on (content retained and I/O states held).	Sleep Deep	Wakeup Reset ²
VLLS1 (Very Low Leakage Stop1)	Most peripherals are disabled (with clocks stopped), but LLWU, LPTimer, RTC, CMP, TSI, DAC can be used. NVIC is disabled; LLWU is used to wake up. All of SRAM_U and SRAM_L are powered off. The 32-byte system register file and the 32-byte VBAT register file remain powered for customer-critical data.	Sleep Deep	Wakeup Reset ²
BAT (backup battery only)	The chip is powered down except for the VBAT supply. The RTC and the 32-byte VBAT register file for customer-critical data remain powered.	Off	Power-up Sequence

1. Resumes normal run mode operation by executing the LLWU interrupt service routine.
2. Follows the reset flow with the LLWU interrupt flag set for the NVIC.

6 Developer Environment

Freescale's products are supported by a widespread, established network of tools and third party developers and software vendors. The Kinetis families take advantage of these and similar development resources.

6.1 Freescale's Tower System Support

Freescale's Tower System is a modular development platform for 8-bit, 16-bit, and 32-bit microcontrollers that enables advanced development through rapid prototyping. Featuring multiple development boards or modules, the Tower System provides designers with building blocks for entry-level to advanced microcontroller development.

The Freescale Tower System

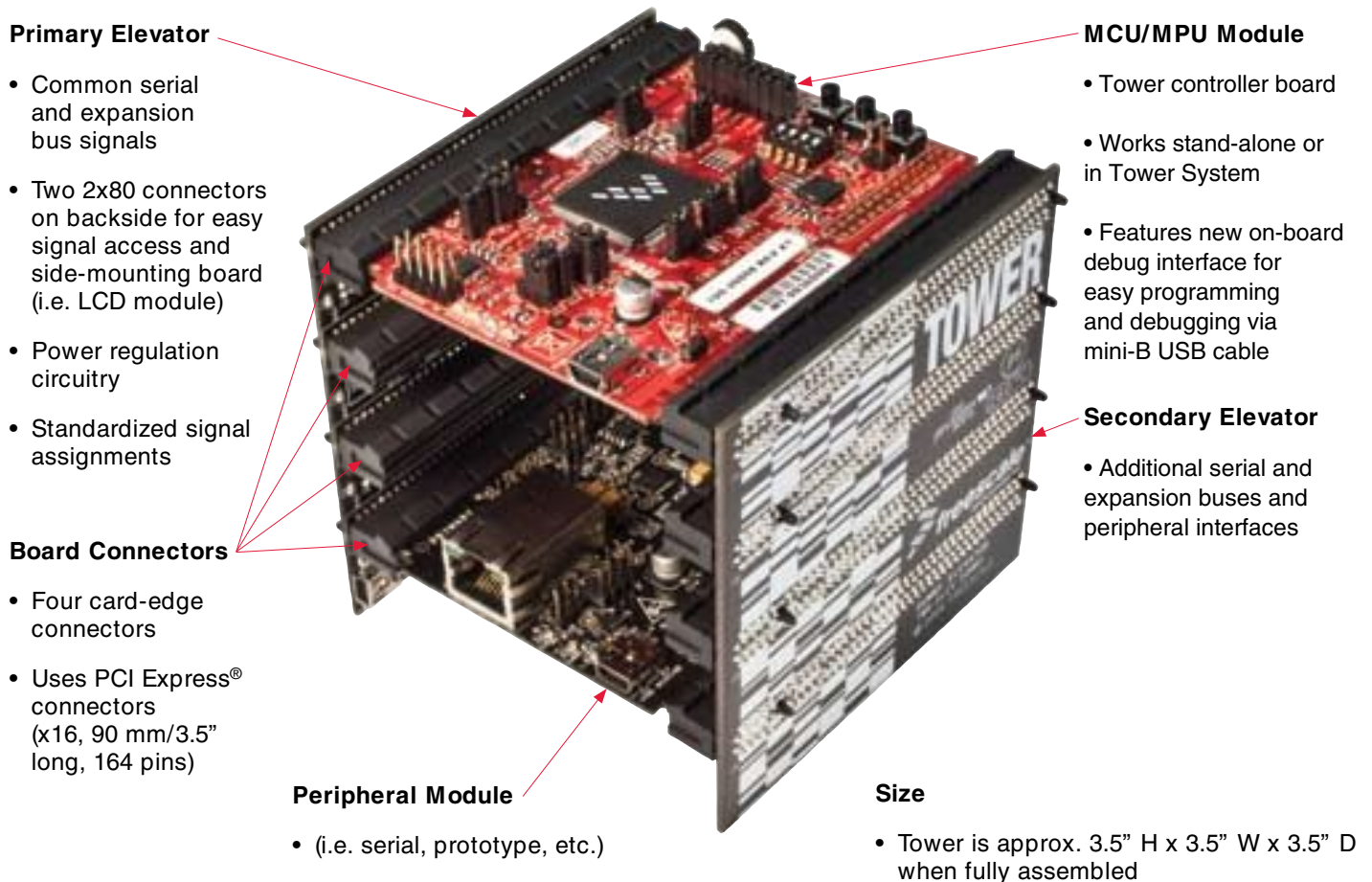


Figure 4. Freescale's Tower System

The following Tower modules are available for the Kinetis families. For more information on the Tower System see <http://www.freescale.com/tower>.

Table 8. Tower Modules for Kinetis MCU Families

Microcontroller Modules	Features
Kinetis K40 Family MCU Module	K40 family 512 KB flash MCU in 144 MAPBGA package On-board JTAG debug interface Access to all features including Segment LCD and USB
Kinetis K60 Family MCU Module	K60 family 512 KB flash MCU in 144 MAPBGA package On-board JTAG debug interface Access to all features including Ethernet and USB
Kinetis K53 Family MCU Module	K53 family 512 KB flash MCU in 144 MAPBGA package On-board JTAG debug interface Access to all features including Ethernet, USB, Segment LCD (TWRPI), and medical expansion connector

6.2 CodeWarrior Development Studio

Freescale's CodeWarrior Development Studio for Microcontrollers v10.x integrates the development tools for the RS08, HCS08, ARM, and ColdFire architectures into a single product based on the Eclipse open development platform. Eclipse offers an excellent framework for building software development environments and is becoming a standard framework used by many embedded software vendors.

- Eclipse IDE 3.4
- Build system with optimizing C/C++ compilers for RS08, HCS08, ARM, and ColdFire processors
- Extensions to Eclipse C/C++ Development Tools (CDT) to provide sophisticated features to troubleshoot and repair embedded applications

Table 9. CodeWarrior 10.x Differentiating Features

Differentiating features	Customer benefits	Details
MCU Change Wizard	Ability to easily retarget project to a new processor	Simply select a new device (from the same or a different architecture) and select the default connection, and the CodeWarrior tool suite automatically reconfigures the project for the new device with the correct build tools and support files. <ul style="list-style-type: none"> • Compiler • Assembler • Linker • Header files • Vector tables • Libraries • Linker configuration files

Table continues on the next page...

Table 9. CodeWarrior 10.x Differentiating Features (continued)

Differentiating features	Customer benefits	Details
Freescale Processor Expert	Problems in hardware layer can be resolved during initial design phase	<p>Combines easy-to-use component-based application creation with an expert knowledge system.</p> <ul style="list-style-type: none"> • CPU, on-chip peripherals, external peripherals, and software functionality are encapsulated into embedded components • Each component's functionality can be tailored to fit application requirements by modifying the component's properties, methods and events • When the project is built, Processor Expert automatically generates highly optimized embedded C code and places the source files into the project • Graphical user interface: Allows an application to be specified by the functionality needed • Automatic code generator: Creates tested, optimized C code tuned to application needs and the selected Freescale device • Built-in knowledgebase: Immediately flags resource conflicts and incorrect settings, so errors are caught early in design cycle • Component wizard: Allows user-specific, hardware-independent embedded components to be created
Trace and profile support for on-chip trace buffers	Sophisticated emulator-like debug capability without additional hardware	<p>The CodeWarrior profiling and analysis tools provide visibility into an application as it runs on the processor to identify operational problems.</p> <ul style="list-style-type: none"> • Supports architectures with on-chip trace buffers (HCS08, V1 ColdFire, ARM) • Allows tracepoints to be set to enable and disable trace output • Can step through trace data and the corresponding source code simultaneously • Allows trace data to be exported into a Microsoft® Excel® file

For more information see the CodeWarrior web site at <http://www.freescale.com/codewarrior>.

6.3 Freescale's MQX™ Software Solutions

The increasing complexity of industrial applications and expanding functionality of semiconductors are driving embedded developers toward solutions that combine proven hardware and software platforms. These solutions help accelerate time to market and improve application development success.

Freescale Semiconductor offers the MQX real-time operating system (RTOS), with TCP/IP and USB software stacks and peripheral drivers, to customers of ARM, ColdFire and ColdFire+ MCUs at no additional charge. The combination of Freescale's MQX software solutions and Freescale's silicon portfolio creates a comprehensive source for hardware, software, tools, and services.

Freescale Comprehensive Solution

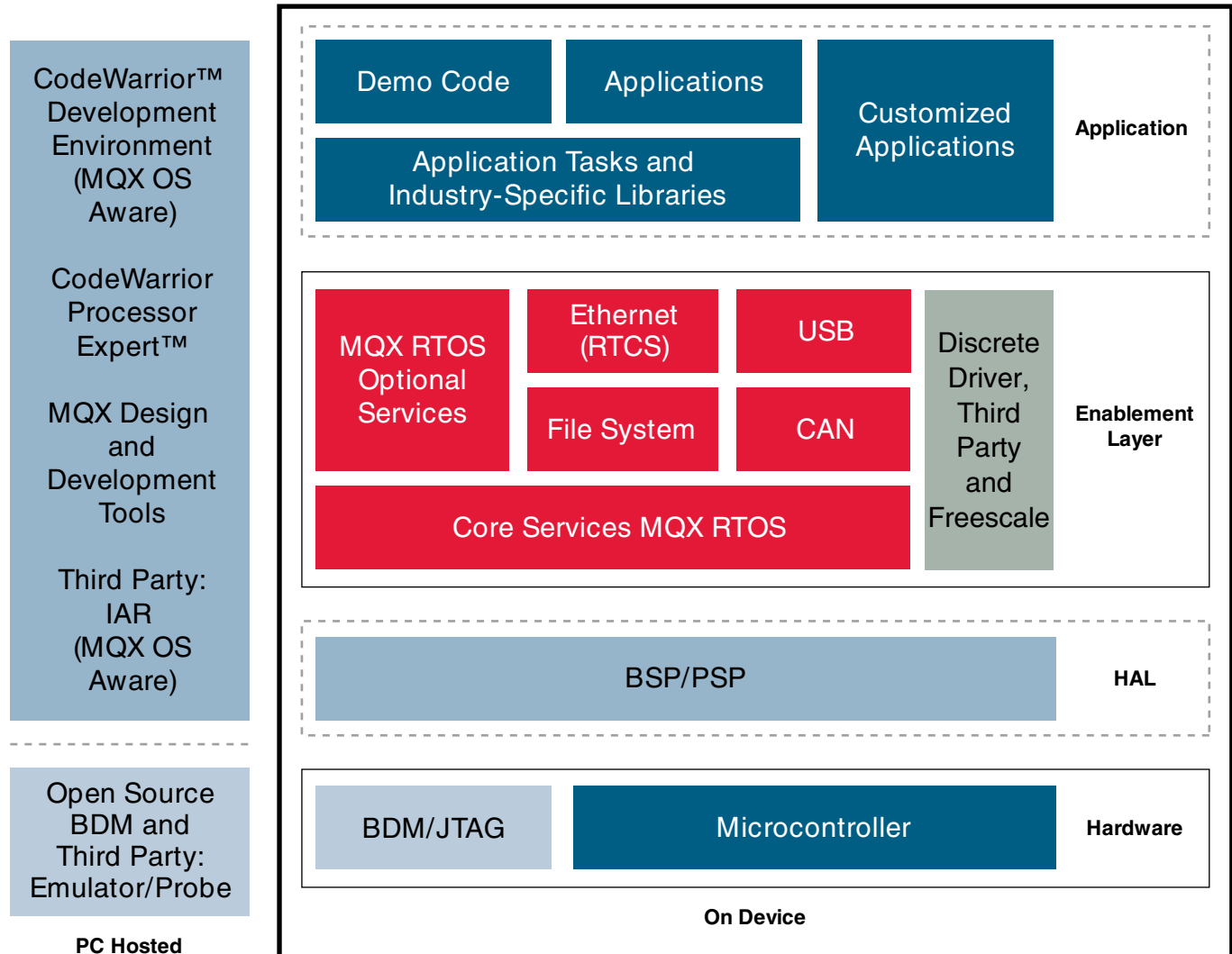


Figure 5. MQX Comprehensive Solution

Key benefits of Freescale's MQX RTOS include:

- **Small memory footprint:** The RTOS was designed for speed and size efficiency in embedded systems. It delivers true real-time performance, with context switching and low-level interrupt routines hand-optimized in assembly.
- **Component-based architecture:** Provides a fully-functional RTOS core with additional, optional services. Freescale's MQX RTOS includes 25 components (8 core components and 17 optional). Components are linked in only if needed, preventing unused functions from bloating the memory footprint.
- **Full and lightweight components:** Key components are included in both full and lightweight versions for further control of size, RAM/ROM utilization, and performance options.
- **Real-time, priority-based, preemptive multithreading:** Allows high-priority threads to meet their deadlines consistently, no matter how many other threads are competing for CPU time.
- **Scheduling:** Enables faster development time by offloading from developers the task of creating or maintaining an efficient scheduling system and interrupt handling.
- **Code reuse:** Provides a framework with a simple, intuitive API to build and organize the features across Freescale's broad portfolio of embedded processors.

Developer Environment

- Fast boot sequence: Ensures the application is running quickly after the hardware has been reset.
- Simple Message Passing: Messages can be passed either from a system pool or a private pool, sent with either urgent status or a user-defined priority, and broadcast or task specific. For maximum flexibility, a receiving task can operate on either the same CPU as the sending task or on a different CPU within the same system.

For more information see the MQX web site at <http://www.freescale.com/mqx>.

MQX RTOS—Customizable Component Set

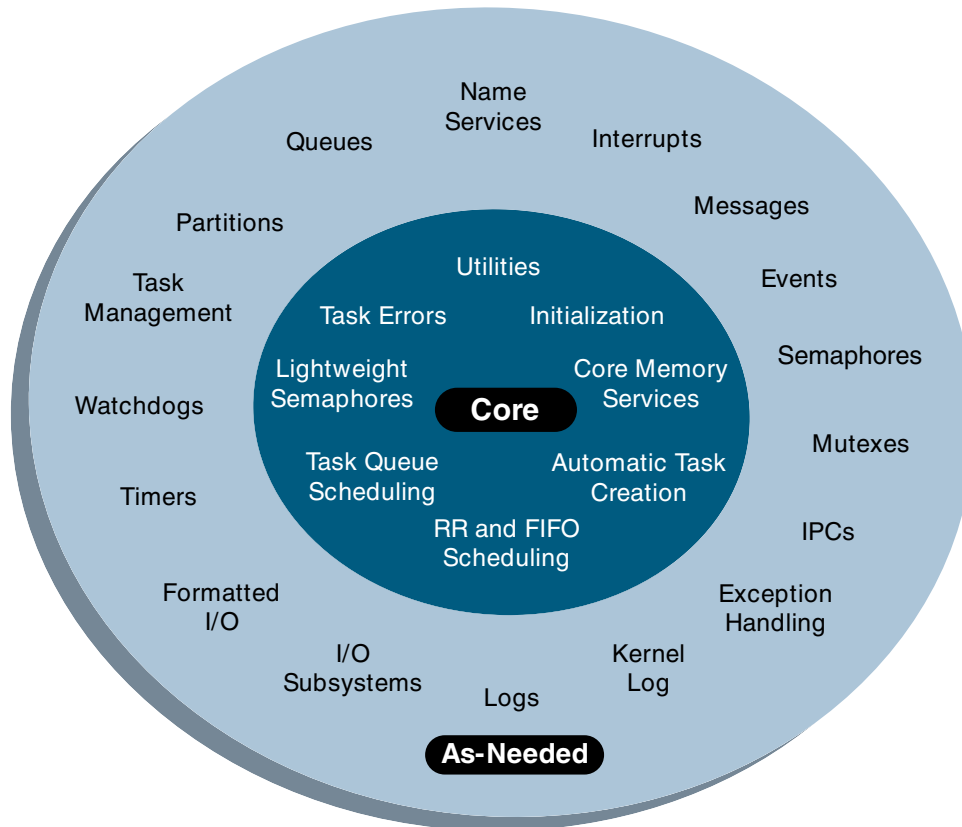


Figure 6. MQX Customizable Component Set

6.4 Additional Software Stacks Provided

- Math, DSP and Encryption Libraries
- Motor Control Libraries
- Touch Sensing Software Suite
- Complimentary Bootloaders (USB, Ethernet, RF, serial)
- Complimentary Freescale Embedded GUI
- Complimentary Freescale MQX™ RTOS , USB, TCP/IP stack and MFS filesystem
- Low Cost Nano™ SSL/Nano™ SSH for Freescale MQX™ RTOS
- Plus full ARM® ecosystem

7 Revision History

The following table provides a revision history for this document.

Table 10. Revision History

Rev. No.	Date	Substantial Changes
7	2/2011	Initial public revision
8	5/2011	Updated memory and package option table Updated family feature tables Updated module feature lists

How to Reach Us:

Home Page:

www.freescale.com

Web Support:

<http://www.freescale.com/support>

USA/Europe or Locations Not Listed:

Freescale Semiconductor
Technical Information Center, EL516
2100 East Elliot Road
Tempe, Arizona 85284
+1-800-521-6274 or +1-480-768-2130
www.freescale.com/support

Europe, Middle East, and Africa:

Freescale Halbleiter Deutschland GmbH
Technical Information Center
Schatzbogen 7
81829 Muenchen, Germany
+44 1296 380 456 (English)
+46 8 52200080 (English)
+49 89 92103 559 (German)
+33 1 69 35 48 48 (French)
www.freescale.com/support

Japan:

Freescale Semiconductor Japan Ltd.
Headquarters
ARCO Tower 15F
1-8-1, Shimo-Meguro, Meguro-ku,
Tokyo 153-0064
Japan
0120 191014 or +81 3 5437 9125
support.japan@freescale.com

Asia/Pacific:

Freescale Semiconductor China Ltd.
Exchange Building 23F
No. 118 Jianguo Road
Chaoyang District
Beijing 100022
China
+86 10 5879 8000
support.asia@freescale.com

For Literature Requests Only:

Freescale Semiconductor Literature Distribution Center
1-800-441-2447 or +1-303-675-2140
Fax: +1-303-675-2150
LDCForFreescaleSemiconductor@hibbertgroup.com

Information in this document is provided solely to enable system and software implementers to use Freescale Semiconductors products. There are no express or implied copyright licenses granted hereunder to design or fabricate any integrated circuits or integrated circuits based on the information in this document.

Freescale Semiconductor reserves the right to make changes without further notice to any products herein. Freescale Semiconductor makes no warranty, representation, or guarantee regarding the suitability of its products for any particular purpose, nor does Freescale Semiconductor assume any liability arising out of the application or use of any product or circuit, and specifically disclaims any liability, including without limitation consequential or incidental damages. "Typical" parameters that may be provided in Freescale Semiconductor data sheets and/or specifications can and do vary in different applications and actual performance may vary over time. All operating parameters, including "Typicals", must be validated for each customer application by customer's technical experts. Freescale Semiconductor does not convey any license under its patent rights nor the rights of others. Freescale Semiconductor products are not designed, intended, or authorized for use as components in systems intended for surgical implant into the body, or other applications intended to support or sustain life, or for any other application in which failure of the Freescale Semiconductor product could create a situation where personal injury or death may occur. Should Buyer purchase or use Freescale Semiconductor products for any such unintended or unauthorized application, Buyer shall indemnify Freescale Semiconductor and its officers, employees, subsidiaries, affiliates, and distributors harmless against all claims, costs, damages, and expenses, and reasonable attorney fees arising out of, directly or indirectly, any claim of personal injury or death associated with such unintended or unauthorized use, even if such claims alleges that Freescale Semiconductor was negligent regarding the design or manufacture of the part.

RoHS-compliant and/or Pb-free versions of Freescale products have the functionality and electrical characteristics as their non-RoHS-complaint and/or non-Pb-free counterparts. For further information, see <http://www.freescale.com> or contact your Freescale sales representative.

For information on Freescale's Environmental Products program, go to <http://www.freescale.com/epp>.

Freescale™ and the Freescale logo are trademarks of Freescale Semiconductor, Inc. All other product or service names are the property of their respective owners.

© 2010–2011 Freescale Semiconductor, Inc.

