

## Evaluating the AD9838 11 mW Power, 2.3 V to 5.5 V, 75 MHz Complete DDS

### FEATURES

- Full featured evaluation board for the [AD9838](#) evaluation board
- Graphical user interface software for board control and data analysis
- Connector to [EVAL-SDP-CB1Z](#) system demonstration platform (SDP) board
- Various power supply and reference link options

### APPLICATIONS

- Biomedical sensors
- Bioelectrical impedance analysis
- Electrochemical analysis
- Impedance spectroscopy
- Complex impedance measurement
- Nondestructive testing

### GENERAL DESCRIPTION

The AD9838 is a 16 MHz low power DDS device capable of producing high performance sine and triangular outputs. It also has an on-board comparator that allows a square wave to be produced for clock generation. Consuming only 20 mW of power at 3 V makes the AD9838 an ideal candidate for power-sensitive applications.

The EVAL-AD9838SDZ board is used in conjunction with a EVAL-SDP-CB1Z SDP board available from Analog Devices, Inc. The USB-to-SPI communication to the AD9838 is completed using this Blackfin®-based development board.

A high performance, on-board 16 MHz trimmed general oscillator is available to use as the master clock for the AD9838 system. Various links and SMB connectors are also available on the EVAL-AD9838SDZ board to maximize usability.

Complete specifications for the AD9838 are provided in the AD9838 data sheet, available from Analog Devices, and should be consulted in conjunction with this user guide when using the evaluation board.

### FUNCTIONAL BLOCK DIAGRAM

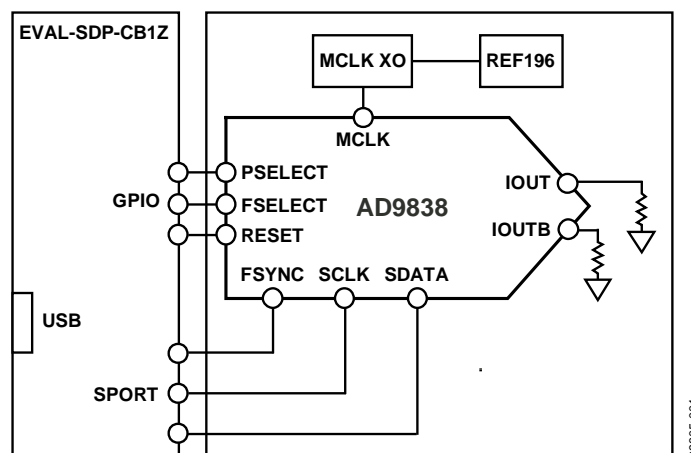


Figure 1.

**TABLE OF CONTENTS**

Features .....	1	Programming Method: Hardware or Software .....	6
Applications.....	1	Loading Frequency and Phase Registers.....	6
General Description .....	1	FSK and PSK Functionality.....	6
Functional Block Diagram .....	1	Waveform Options .....	6
Revision History .....	2	Hardware Options .....	7
Evaluation Board Software .....	3	Reset and Sweep .....	7
Installing the Software .....	3	Example of Operation.....	8
Running the Software .....	4	Evaluation Board Schematics and Layout .....	9
Using the Evaluation Board Software .....	5	Ordering Information.....	11
Setting Up the Digital Interface.....	5	Bill of Materials.....	11
Select External MCLK Frequency.....	6		

**REVISION HISTORY**

**4/11—Revision 0: Initial Version**

## EVALUATION BOARD SOFTWARE

### INSTALLING THE SOFTWARE

The EVAL-AD9838SDZ evaluation kit includes the software and drivers on CD. The software is compatible with Windows® XP, Windows Vista, and Windows 7.

To install the software, follow these steps:

1. Install the software before connecting the SDP board to the USB port of the PC.
2. Start the Windows operating system and insert the EVAL-AD9838SDZ evaluation kit CD.
3. Download the AD9838SDZ LabVIEW™ software. The correct driver, SDPDriversNET, for the SDP board should download automatically after LabVIEW is downloaded,

supporting both 32- and 64-bit systems. However, if the drivers do not download automatically, the driver executable file can also be found in the **Program Files/Analog Devices** folder. Follow the on-screen prompts to install the SDPDriverNet Version 1.3.6.0.

4. After installation of the software and drivers is complete, plug the EVAL-AD9838SDZ into the SDP board and the SDP board into the PC using the USB cable included in the box.
5. When the software detects the evaluation board, proceed through any dialog boxes that appear to finalize the installation (**Found New Hardware Wizard/Install the Software Automatically** and so on).

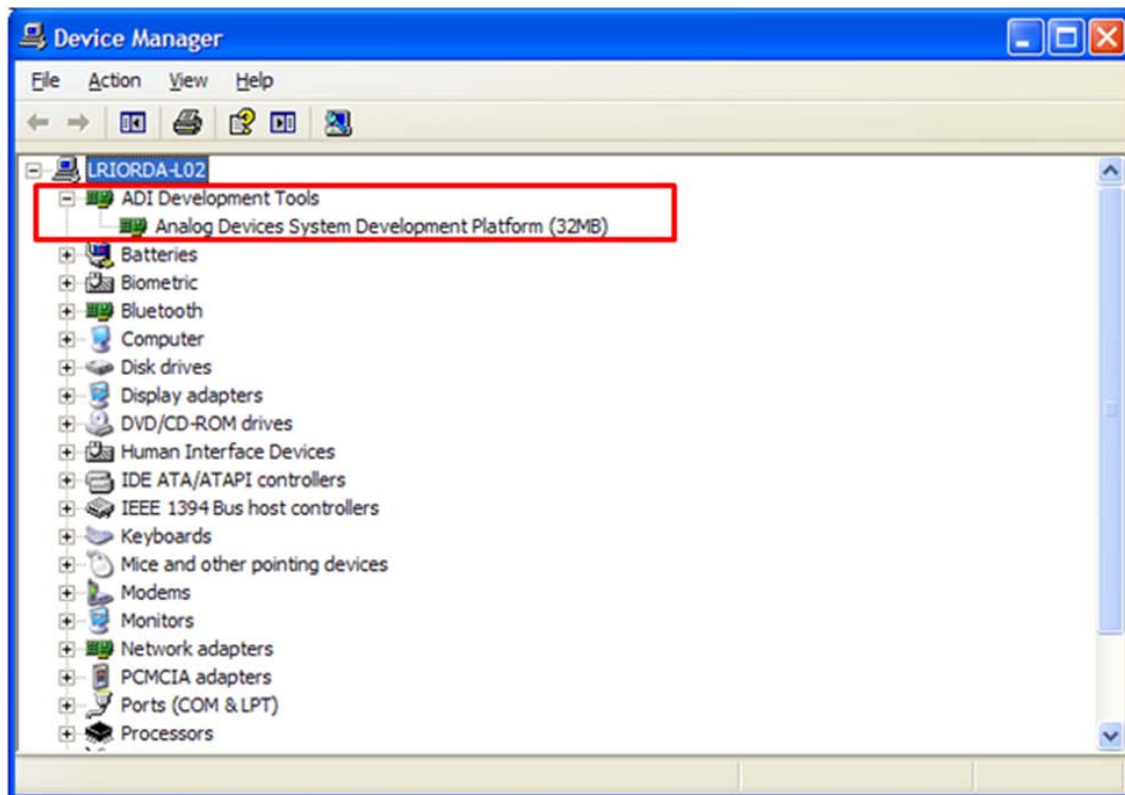


Figure 2. Hardware Device Manager Window with SDP Board Plugged In

## RUNNING THE SOFTWARE

To run the evaluation board program, do the following:

1. Click **Start/All Programs/Analog Devices/AD9838/AD9838 Eval Board**.
2. If the SDP board is not connected to the USB port when the software is launched, a connectivity error displays (see Figure 3). Simply connect the evaluation board to the USB port of the PC, wait a few seconds, click **Rescan**, and follow the instructions.
3. Ensure that all links are in their correct locations (see Table 1). The main window of the AD9838DBZ evaluation software then opens, as shown in Figure 4.

**Table 1. Default Setup for Link Positions**

Link No.	Position	Function
LK1	A	On-board linear regulator selected to supply power to the general oscillator.
LK2	B	3.3 V digital supply for the <a href="#">AD9838</a> supplied from the <a href="#">EVAL-SDP-CB1Z</a> board.
LK3	In	Decouple the CAP/2.5V pin to ground because $V_{DD}$ is $>2.7$ V.
LK4	B	3.3 V analog supply for the AD9838 supplied from the EVAL-SDP-CB1Z board.

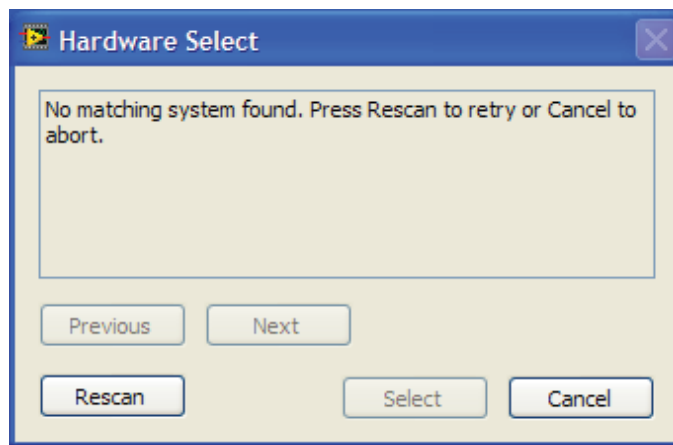


Figure 3. Pop-Up Window Error

09805-003

## USING THE EVALUATION BOARD SOFTWARE

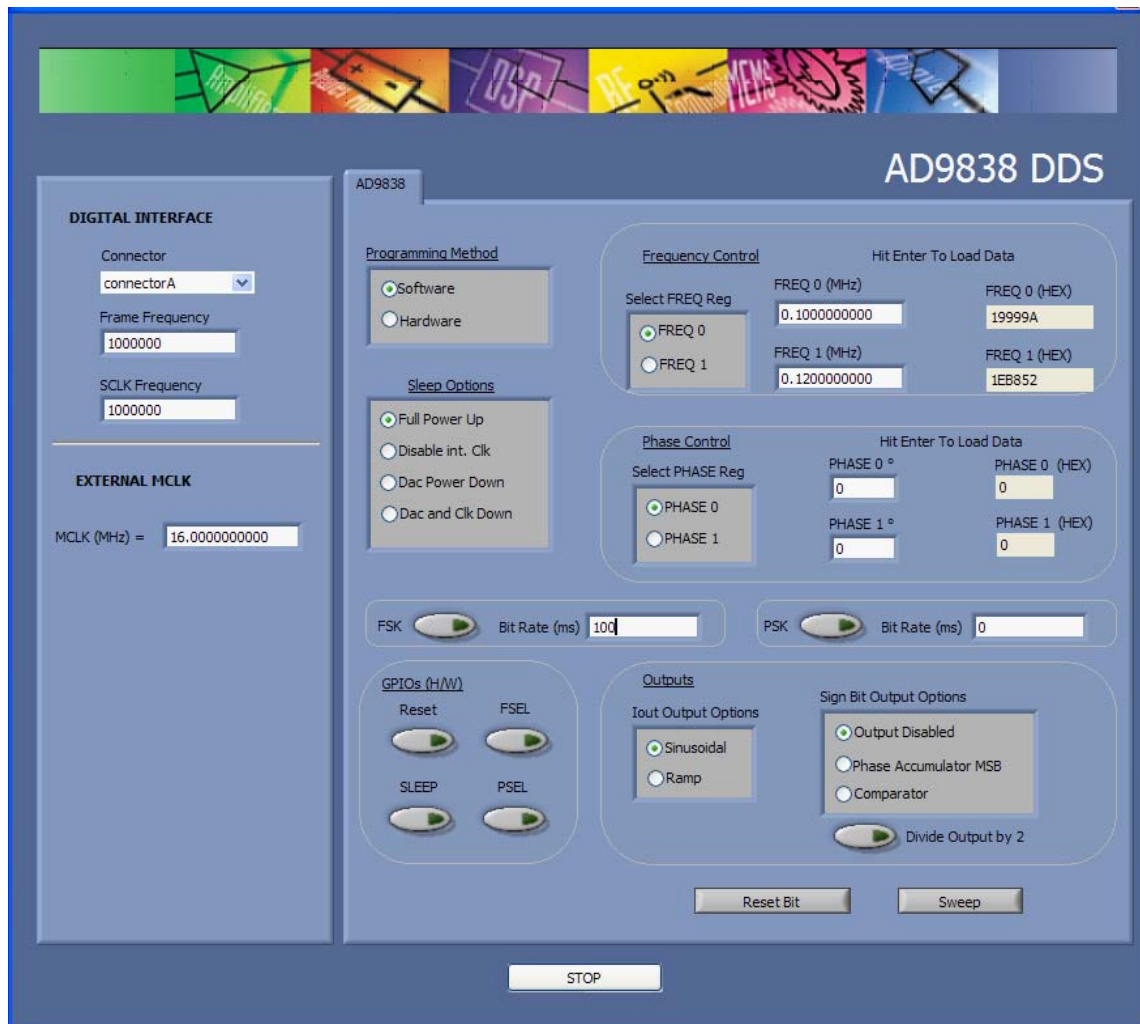


Figure 4. AD9838 DDS Evaluation Software

09805-004

### SETTING UP THE DIGITAL INTERFACE

The first software step in setting up the [AD9838](#) to make some measurements to set the **DIGITAL INTERFACE**. The [EVAL-SDP-CB1Z](#) has two connectors plugs: **connectorA** and **connectorB**. Select which connector you want to use with the AD9838 evaluation board from the drop-down menu.

The SPI **Frame Frequency** (/SYNC) box and **SCLK Frequency** box can also be set in this window. If the SPI interface speed has not been decided upon, leave the default values shown in Figure 5.

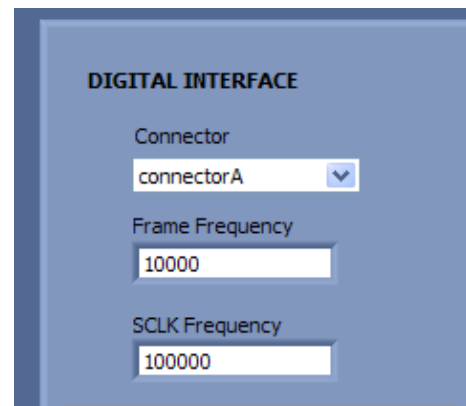


Figure 5. Digital Interface

09805-005

**SELECT EXTERNAL MCLK FREQUENCY**

Having selected the digital interface specifics, next use the **EXTERNAL MCLK** box to choose which frequency to use. The boards are supplied with a 75 MHz general oscillator. If a different clock source is required, the CLK1 SMB connector can be used to supply a different MCLK value.

Two options for the general oscillator include the AEL3013 oscillators from AEL Crystals and the SG-310SCN oscillators from Epson Electronics.

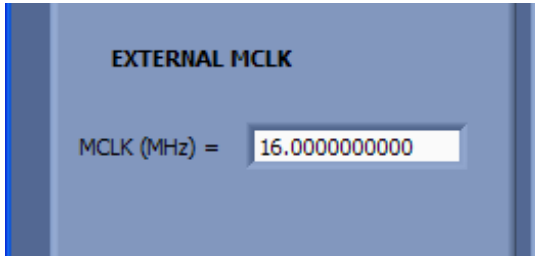


Figure 6. EXTERNAL MCLK Input

**PROGRAMMING METHOD: HARDWARE OR SOFTWARE**

Functions that select frequency and phase registers, reset internal registers, and power down the DAC can be implemented using either software or hardware. Figure 7 shows how to select the source of control for these functions. PIN/SW = 1 implies that the functions are being controlled using the appropriate hardware control pins. PIN/SW = 0 implies that the functions are being controlled using the appropriate software control bits.

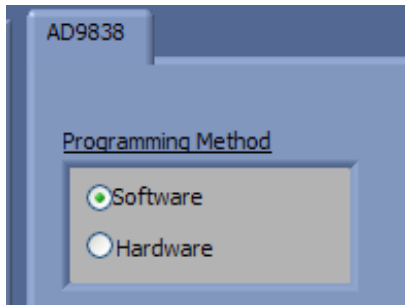


Figure 7. Programming Method

**LOADING FREQUENCY AND PHASE REGISTERS**

The desired output frequency and output phase can be loaded using the inputs shown in Figure 8. Either the **FREQ 0** register or the **FREQ 1** register can be loaded with frequency data. The frequency data is loaded in megahertz, and the equivalent hex code is shown to the right once data is entered; click **Enter** to load data. Once data is loaded, the output appears on the IOUT1 and IOUT2 pins. Similarly, either the **PHASE 0** register or **PHASE 1** register can be selected, and the phase data is loaded in degrees.

The analog output frequency from the **AD9838** is defined by

$$f_{MCLK}/2^{28} \times FREQREG$$

where **FREQREG** is the value loaded into the selected frequency register in decimals. This signal is phase shifted by

$$2\pi/4096 \times PHASEREG$$

where **PHASEREG** is the value contained in the selected phase register in decimals.

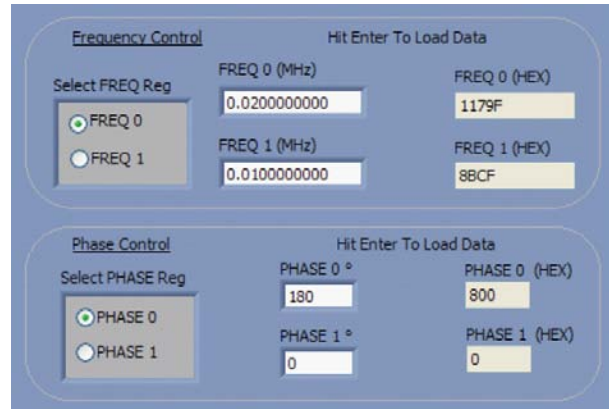


Figure 8. Frequency and Phase Load

**FSK AND PSK FUNCTIONALITY**

In software mode, the **AD9838** can be set up for FSK or PSK functionality by simply entering the bit rate in milliseconds and selecting the push-button option (see Figure 9).



Figure 9. FSK and PSK Functionality

**WAVEFORM OPTIONS**

The output waveform can be selected as a sinusoidal waveform or a ramp waveform. The internal comparator in the **AD9838** can be disabled or enabled (see Figure 10). The MSB or the MSB/2 of the phase accumulator can be selected as the output on the **SIGN BIT OUT** pin.

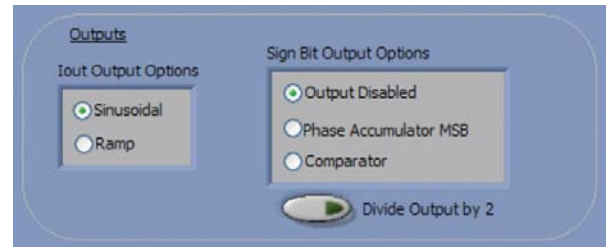


Figure 10. Waveform Profile and SIGN BIT OUT Pin

**Power-Down Options**

The AD9838 has various power-down options selected through the control register. The part can disable the MCLK or disable the DAC if just the MSB output is used on the SIGN BIT OUT pin, or it can power down both sections for a lower power sleep mode (see Figure 11).

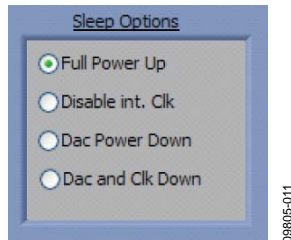


Figure 11. Power-Down Options

**HARDWARE OPTIONS**

If the hardware programming method is selected as described in Figure 7, the following pin functions can be toggled: FSELECT, PSELECT, RESET, and SLEEP. These are controlled by the GPIO outputs on the EVAL-SDP-CB1Z board. For example, frequency data can be loaded to the FREQ 0 register and the FREQ 1 register, and the output can be toggled by the FSELECT pin, that is, 2FSK functionality.

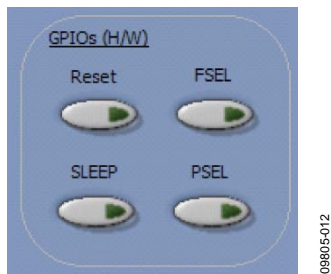


Figure 12. GPIO Hardware Pin Control

**RESET AND SWEEP**

The reset software command is set using the push-button shown in Figure 13. To setup a DDS sweep, click **Sweep**.



Figure 13. Software Reset and Sweep Select

The sweep function allows users to load a start frequency, stop frequency, increment size, number of loops, and delay between each frequency increment. These commands are then loaded to the part automatically from the EVAL-SDP-CB1Z board.

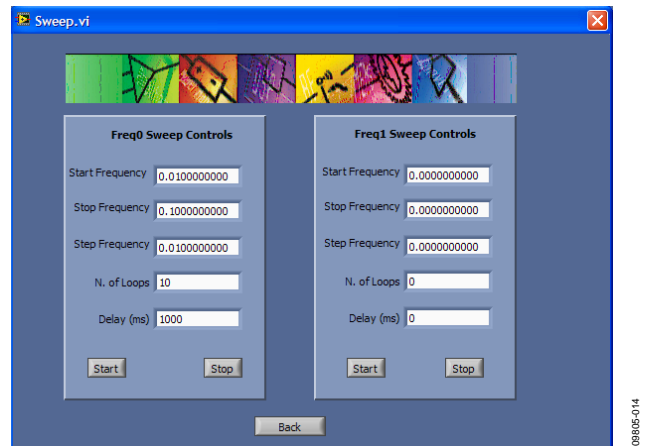


Figure 14. Sweep Functionality

## EXAMPLE OF OPERATION

An example of configuring the AD9838 to output 10 kHz follows:

1. Plug the [EVAL-SDP-CB1Z](#) board into the EVAL-AD9838SDZ board and connect to the USB port.
2. Start up the software located at **Start/All Programs/Analog Devices/AD9838/AD9838 Eval Board**. You should see the SDP board communicating with the PC.
3. Select **connectorA** or **connectorB**; this must match what the AD9838 test chip is connected to.
4. Define MCLK; the default is an on-board 16 MHz oscillator.
5. Ensure that all links are in the correct locations (see Table 1).
6. Select the **FREQ 1** register.
7. Load a 10 kHz excitation frequency and click **Enter**.

The output should appear on the IOUT and IOUTB outputs on the evaluation board.

For the **FREQ 0** register,

- Select the **FREQ 0** register.
- Load the **FREQ 0** register with 20 kHz and click **Enter**.

For the **FREQ 1** register,

- Select the **FREQ 1** register to load the 10 kHz associated with this register.

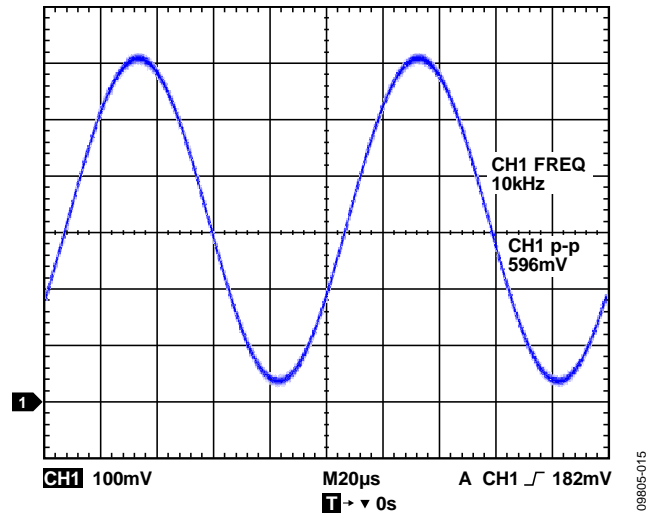
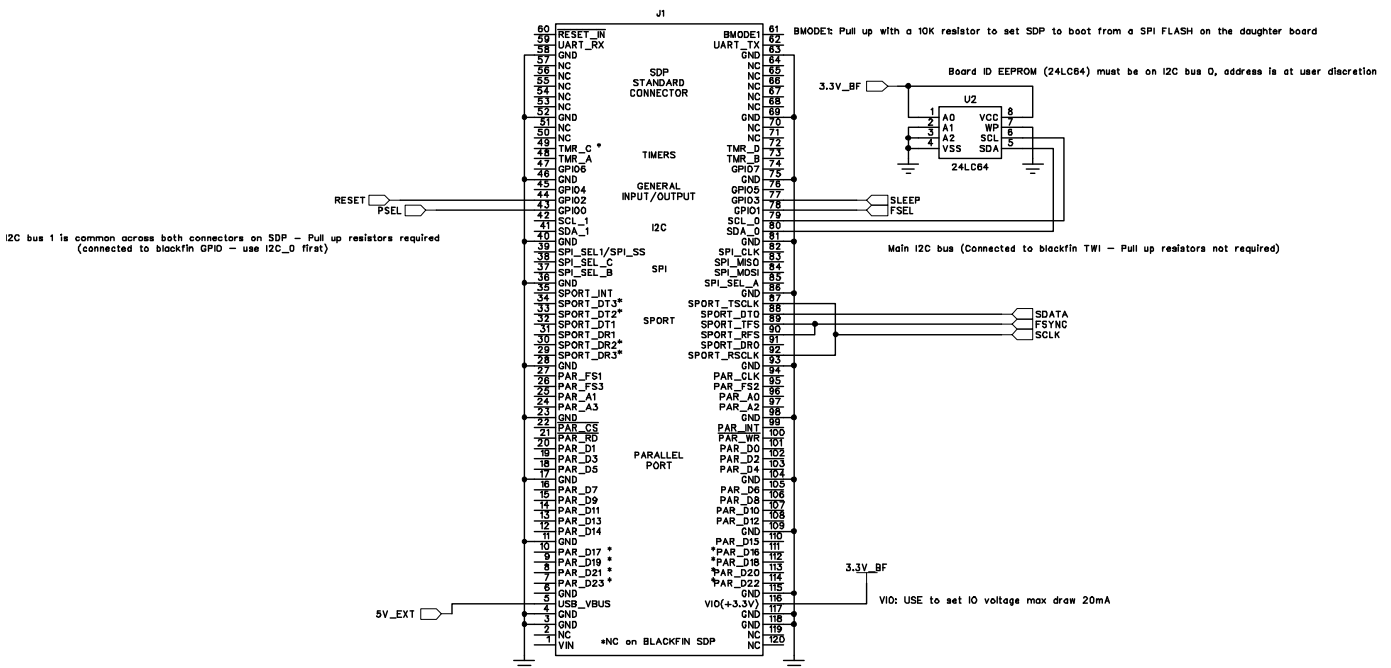
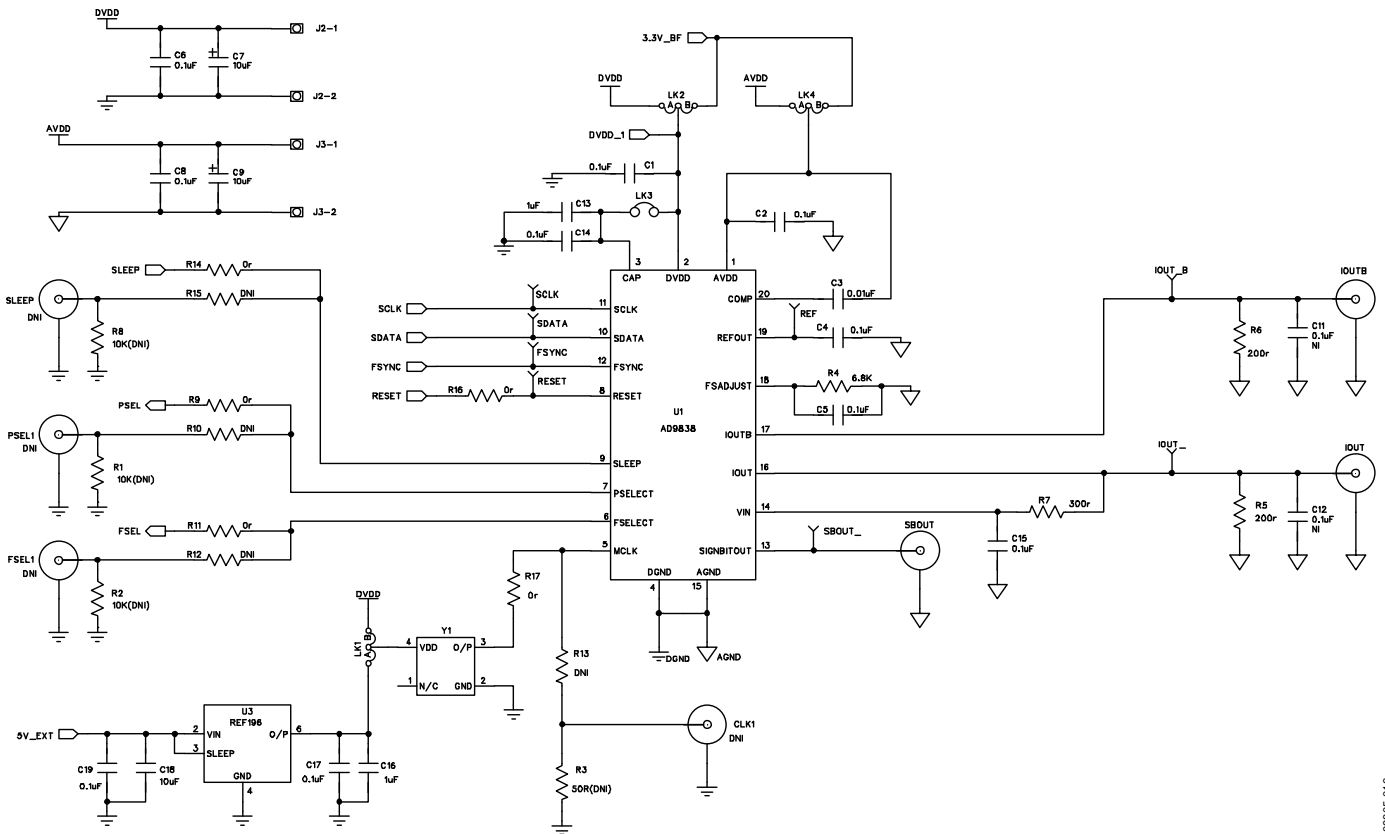
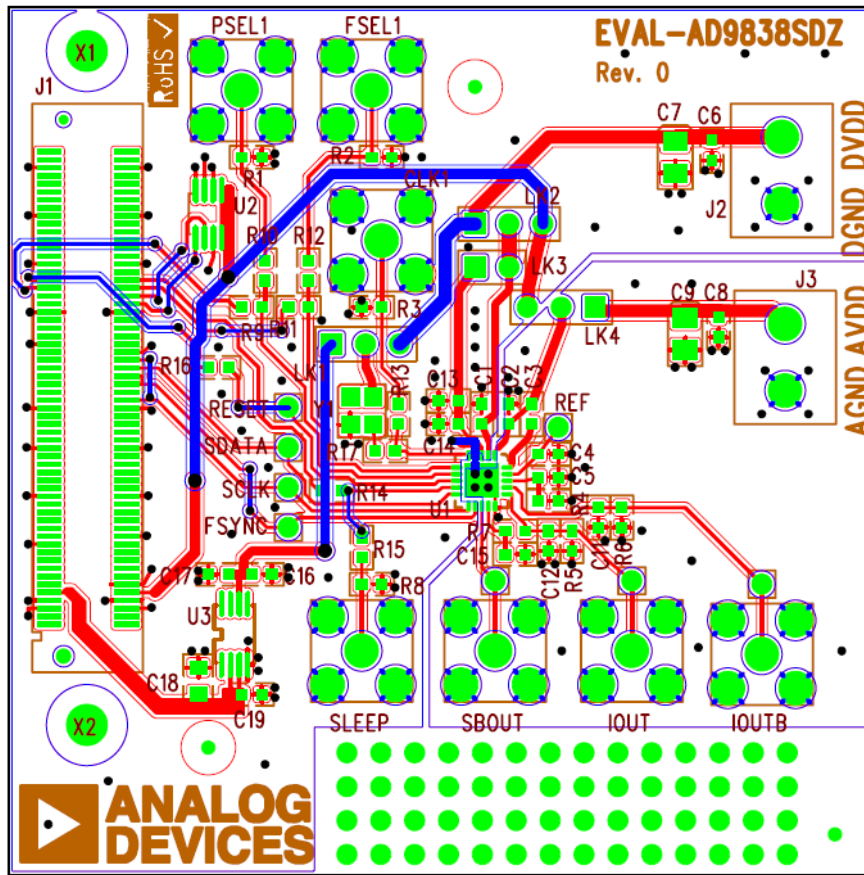


Figure 15. 10 kHz Output Signals on an IOUT Test Point



# EVALUATION BOARD SCHEMATICS AND LAYOUT





F1

EVAL-AD9838SDZ (Rev. 0) – Component Side View  
 Layer 1 – Component Side  
 Layer 2 – Solder Side  
 Silkscreen

Figure 18. Component Side View Layer 1

09805-018

## ORDERING INFORMATION

### BILL OF MATERIALS

Table 2.

Reference Designator	Description	Manufacturer	Part Number
C1, C2, C4 to C6, C8, C11, C12, C14, C15	0.1 $\mu$ F ceramic capacitor, 50 V, X7R, $\pm$ 10%, 0603	Murata	GRM188R71H104KA93D
C3	0.01 $\mu$ F capacitor, 0603, 10 V, X5R, 10%	Kemet	C0603C103K5RACTU
C7, C9	10 $\mu$ F tantalum capacitor, $\pm$ 10%, 10 V, SMD, RTAJ_A	AVX	TAJA106K010R
C13, C16	1 $\mu$ F capacitor, 10 V, Y5V, 0603, +80%, -20%	Yageo	CC0603ZRY5V6BB105
C17, C19	0.1 $\mu$ F capacitor, 0603, 16 V, X7R, $\pm$ 10%	Multicomp	B0603R104KCT
C18	10 $\mu$ F ceramic capacitor, 10 V, 10%, X5R, 0805	Murata	GRM21BR61A106KE19L
CLK1 <sup>1</sup> , F SEL1 <sup>1</sup> , IOUT, IOUTB, PSEL1 <sup>1</sup> , SBOUT, SLEEP	Straight PCB mount SMB jack, 50 $\Omega$	Tyco	1-1337482-0
FSYNC, IOUT_, IOUT_B, REF, RESET, SBOUT_, SCLK, SDATA	Red test point	Vero	20-313137
G1	Ground link, copper short	Not applicable	Not applicable
J1	120-way connector, 0.6 mm pitch, receptacle	HRS (Hirose)	FX8-120S-SV(21)
J2, J3	2-pin terminal block (5 mm pitch)	Campden	CTB5000/2
LK1, LK2, LK4	3-pin SIL header and shorting link	Harwin	M20-9990345 and M7567-05
LK3	2-pin SIL header and shorting link, SIP-2P	Harwin	M20-9990246
R1 <sup>1</sup> , R2 <sup>1</sup> , R8 <sup>1</sup>	10 k $\Omega$ SMD resistor, 0603	Multicomp	MC 0.063W 0603 10K
R3 <sup>1</sup>	50 $\Omega$ SMD resistor, 0603	Multicomp	MC 0.063W 0603 50r
R4	6.8 k $\Omega$ SMD resistor, 0603	Multicomp	MC 0.063W 0603 6K8
R5, R6	200 $\Omega$ SMD resistor, 0603	Multicomp	MC 0.063W 0603 200R
R7	300 $\Omega$ SMD resistor, 0603	Multicomp	MC 0.063W 0603 300R
R9, R10 <sup>1</sup> , R11, R12 <sup>1</sup> , R13 <sup>1</sup> , R14, R15 <sup>1</sup> , R1,6 R17	0 $\Omega$ , 0603, SMD resistor	Multicomp	MC 0.063W 0603 0R
U1	11 mW power, 2.3 V to 5.5 V, 75 MHz complete DDS, 20-lead LFCSP	Analog Devices	AD9838BCPZ
U2	64K I <sup>2</sup> C serial EEPROM, MSOP-8	Microchip	24LC64-I/MS
U3	Precision micropower, low dropout, low voltage references, 8-lead TSSOP	Analog Devices	REF196GRUZ
X1, X2	3 mm NPTH hole	Not applicable	MTHOLE-3mm
Y1	16 MHz, 3 mm $\times$ 2 mm SMD clock oscillator	Epson	SG-310 Series

<sup>1</sup> Do not install.

## NOTES

**ESD Caution**

**ESD (electrostatic discharge) sensitive device.** Charged devices and circuit boards can discharge without detection. Although this product features patented or proprietary protection circuitry, damage may occur on devices subjected to high energy ESD. Therefore, proper ESD precautions should be taken to avoid performance degradation or loss of functionality.

**Legal Terms and Conditions**

By using the evaluation board discussed herein (together with any tools, components documentation or support materials, the "Evaluation Board"), you are agreeing to be bound by the terms and conditions set forth below ("Agreement") unless you have purchased the Evaluation Board, in which case the Analog Devices Standard Terms and Conditions of Sale shall govern. Do not use the Evaluation Board until you have read and agreed to the Agreement. Your use of the Evaluation Board shall signify your acceptance of the Agreement. This Agreement is made by and between you ("Customer") and Analog Devices, Inc. ("ADI"), with its principal place of business at One Technology Way, Norwood, MA 02062, USA. Subject to the terms and conditions of the Agreement, ADI hereby grants to Customer a free, limited, personal, temporary, non-exclusive, non-sublicensable, non-transferable license to use the Evaluation Board FOR EVALUATION PURPOSES ONLY. Customer understands and agrees that the Evaluation Board is provided for the sole and exclusive purpose referenced above, and agrees not to use the Evaluation Board for any other purpose. Furthermore, the license granted is expressly made subject to the following additional limitations: Customer shall not (i) rent, lease, display, sell, transfer, assign, sublicense, or distribute the Evaluation Board; and (ii) permit any Third Party to access the Evaluation Board. As used herein, the term "Third Party" includes any entity other than ADI, Customer, their employees, affiliates and in-house consultants. The Evaluation Board is NOT sold to Customer; all rights not expressly granted herein, including ownership of the Evaluation Board, are reserved by ADI. CONFIDENTIALITY. This Agreement and the Evaluation Board shall all be considered the confidential and proprietary information of ADI. Customer may not disclose or transfer any portion of the Evaluation Board to any other party for any reason. Upon discontinuation of use of the Evaluation Board or termination of this Agreement, Customer agrees to promptly return the Evaluation Board to ADI. ADDITIONAL RESTRICTIONS. Customer may not disassemble, decompile or reverse engineer chips on the Evaluation Board. Customer shall inform ADI of any occurred damages or any modifications or alterations it makes to the Evaluation Board, including but not limited to soldering or any other activity that affects the material content of the Evaluation Board. Modifications to the Evaluation Board must comply with applicable law, including but not limited to the RoHS Directive. TERMINATION. ADI may terminate this Agreement at any time upon giving written notice to Customer. Customer agrees to return to ADI the Evaluation Board at that time. LIMITATION OF LIABILITY. THE EVALUATION BOARD PROVIDED HEREUNDER IS PROVIDED "AS IS" AND ADI MAKES NO WARRANTIES OR REPRESENTATIONS OF ANY KIND WITH RESPECT TO IT. ADI SPECIFICALLY DISCLAIMS ANY REPRESENTATIONS, ENDORSEMENTS, GUARANTEES, OR WARRANTIES, EXPRESS OR IMPLIED, RELATED TO THE EVALUATION BOARD INCLUDING, BUT NOT LIMITED TO, THE IMPLIED WARRANTY OF MERCHANTABILITY, TITLE, FITNESS FOR A PARTICULAR PURPOSE OR NON-INFRINGEMENT OF INTELLECTUAL PROPERTY RIGHTS. IN NO EVENT WILL ADI AND ITS LICENSORS BE LIABLE FOR ANY INCIDENTAL, SPECIAL, INDIRECT, OR CONSEQUENTIAL DAMAGES RESULTING FROM CUSTOMER'S POSSESSION OR USE OF THE EVALUATION BOARD, INCLUDING BUT NOT LIMITED TO LOST PROFITS, DELAY COSTS, LABOR COSTS OR LOSS OF GOODWILL. ADI'S TOTAL LIABILITY FROM ANY AND ALL CAUSES SHALL BE LIMITED TO THE AMOUNT OF ONE HUNDRED US DOLLARS (\$100,000). EXPORT. Customer agrees that it will not directly or indirectly export the Evaluation Board to another country, and that it will comply with all applicable United States federal laws and regulations relating to exports. GOVERNING LAW. This Agreement shall be governed by and construed in accordance with the substantive laws of the Commonwealth of Massachusetts (excluding conflict of law rules). Any legal action regarding this Agreement will be heard in the state or federal courts having jurisdiction in Suffolk County, Massachusetts, and Customer hereby submits to the personal jurisdiction and venue of such courts. The United Nations Convention on Contracts for the International Sale of Goods shall not apply to this Agreement and is expressly disclaimed.

©2011 Analog Devices, Inc. All rights reserved. Trademarks and registered trademarks are the property of their respective owners.  
UG09805-0-4/11(0)



www.analog.com