

## Technical Data Sheet

### Reverse Package Infrared LED

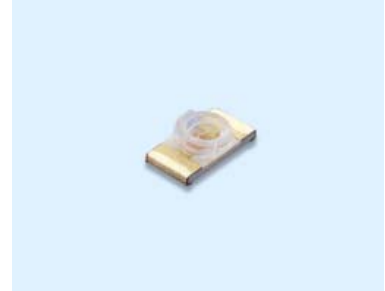
#### IR25-21C/TR8

#### Features

- Small double-end package
- Low forward voltage
- Good spectral matching to Si photo detector
- Package in 8mm tape on 7" diameter reel
- Pb free
- The product itself will remain within RoHS compliant version.

#### Descriptions

- IR25-21C is an infrared emitting diode in miniature SMD package which is molded in a water clear plastic with flat top view lens.
- The device is spectrally matched with silicon photodiode and phototransistor.



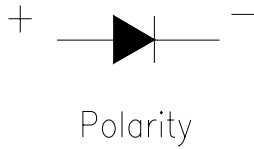
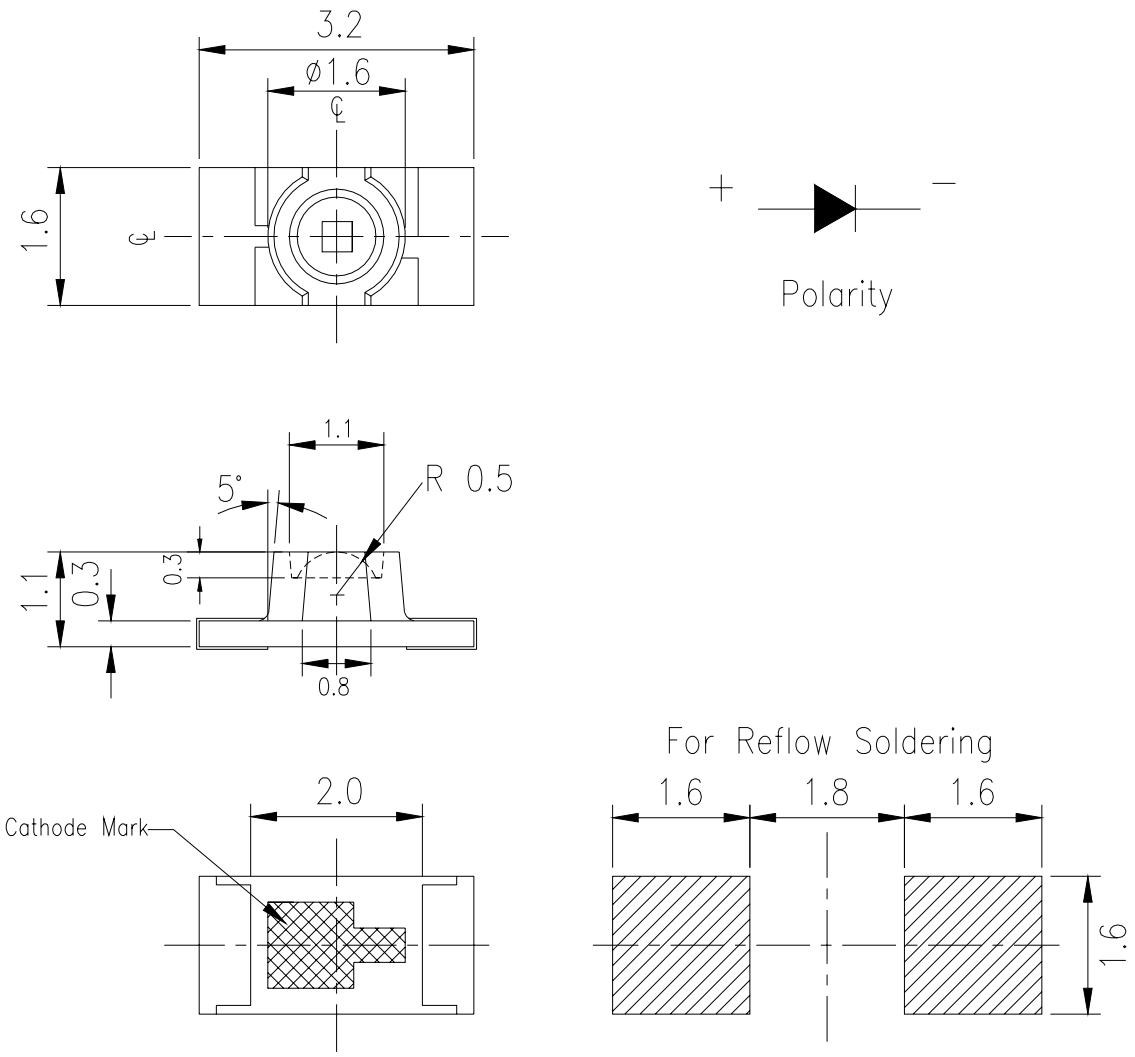
#### Applications

- PCB mounted infrared sensor
- Infrared emitting for miniature light barrier
- Floppy disk drive
- Optoelectronic switch
- Smoke detector

#### Device Selection Guide

| LED Part No. | Chip     | Lens Color  |
|--------------|----------|-------------|
|              | Material |             |
| IR           | GaAlAs   | Water Clear |

**Package Dimensions**



- Notes:**
- 1.All dimensions are in millimeters
  - 2.Tolerances unless dimensions  $\pm 0.1\text{mm}$

Downloaded from [Elcodis.com](http://Elcodis.com) electronic components distributor

**Absolute Maximum Ratings (Ta=25°C)**

| Parameter   | Symbol           | Rating  | Units |
|---|------------------|---|-------|
| Continuous Forward Current                                  | I <sub>F</sub>   | 65  | mA    |
| Reverse Voltage   | V <sub>R</sub>   | 5   | V     |
| Operating Temperature                                       | T <sub>opr</sub> | -25 ~ +85   | °C    |
| Storage Temperature   | T <sub>stg</sub> | -40 ~ +85   | °C    |
| Power Dissipation at(or below)<br>25°C Free Air Temperature | P <sub>d</sub>   | 130   | mW    |
| Soldering Temperature                                       | T <sub>sol</sub> | Reflow Soldering : 260 °C for 10 sec.<br>Hand Soldering : 350 °C for 3 sec. |       |

**Notes:** Soldering time ≤ 5 seconds.

**Electro-Optical Characteristics (Ta=25°C)**

| Parameter          | Symbol         | Condition  | Min. | Typ. | Max. | Units  |
|--------------------|----------------|--|------|------|------|--------|
| Radiant Intensity  | E <sub>e</sub> | I <sub>F</sub> =20mA                                     | 0.5  | 1.5  | --   | mW /sr |
|                    |                | I <sub>F</sub> =100mA<br>Pulse Width ≤ 100 μs ,Duty ≤ 1% | --   | 7.5  | --   |        |
| Peak Wavelength    | λ <sub>p</sub> | I <sub>F</sub> =20mA                                     | --   | 940  | --   | nm     |
| Spectral Bandwidth | Δλ             | I <sub>F</sub> =20mA                                     | --   | 45   | --   | nm     |
| Forward Voltage    | V <sub>F</sub> | I <sub>F</sub> =20mA                                     | --   | 1.2  | 1.5  | V      |
|                    |                | I <sub>F</sub> =100mA<br>Pulse Width ≤ 100 μs ,Duty ≤ 1% | --   | 1.4  | 1.8  |        |
|                    |                | I <sub>F</sub> =1A                                       | --   | 2.6  | 4.0  |        |
| Reverse Current    | I <sub>R</sub> | V <sub>R</sub> =5V                                       | --   | --   | 10   | μA     |
| View Angle         | 2θ 1/2         | I <sub>F</sub> =20mA                                     | --   | 160  | --   | deg    |

**Typical Electro-Optical Characteristics Curves**

Fig.1 Forward Current vs. Ambient Temperature

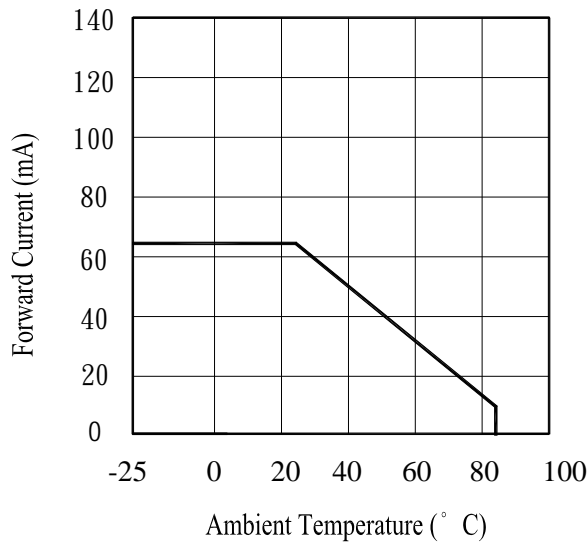


Fig.2 Spectral Distribution

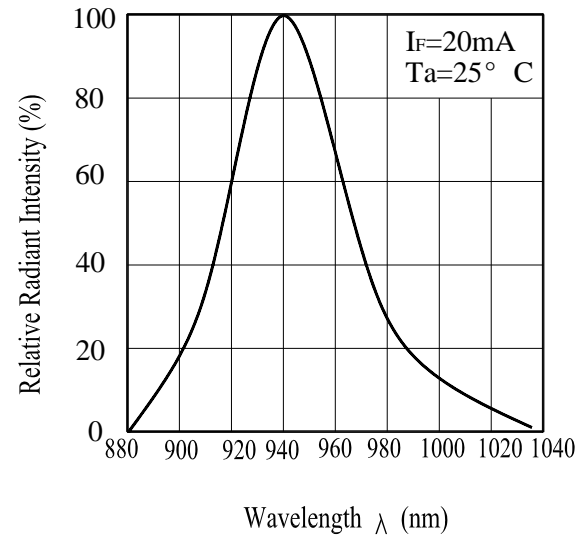


Fig.3 Peak Emission Wavelength vs. Ambient Temperature

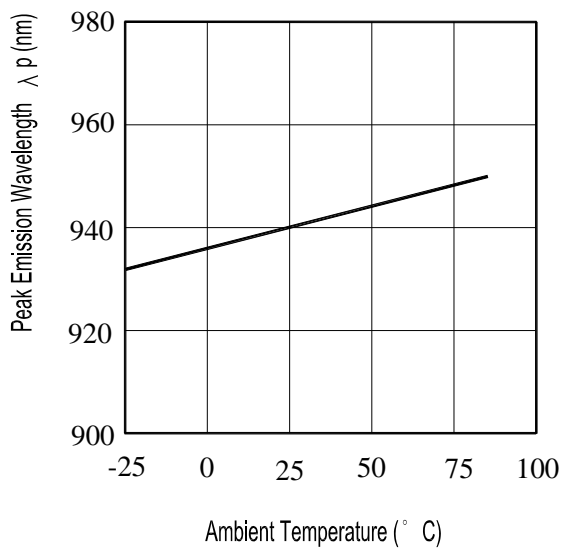
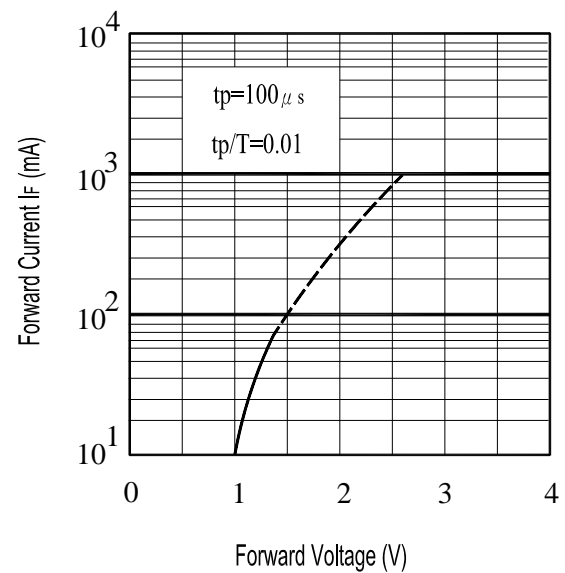


Fig.4 Forward Current vs. Forward Voltage



**Typical Electro-Optical Characteristics Curves**

Fig.5 Relative Intensity vs. Forward Current

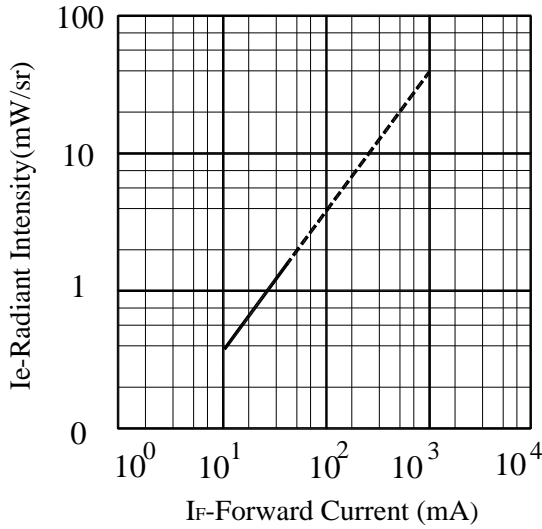


Fig.6 Relative Radiant Intensity vs. Angular Displacement

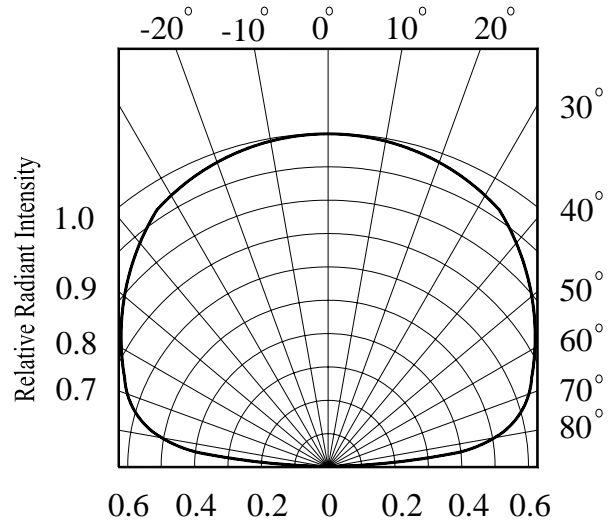


Fig.7 Relative Intensity vs. Ambient Temperature(°C)

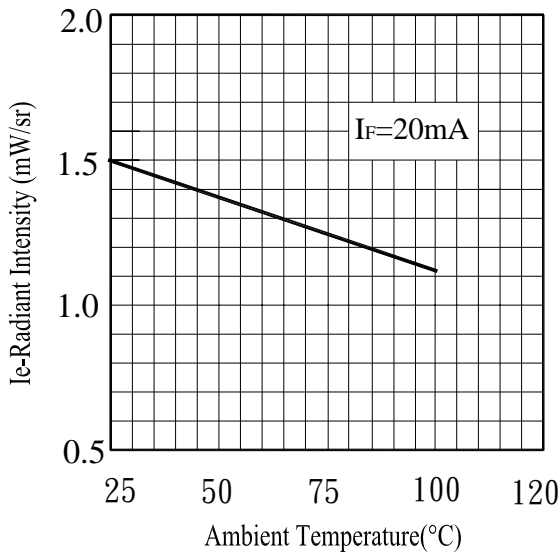
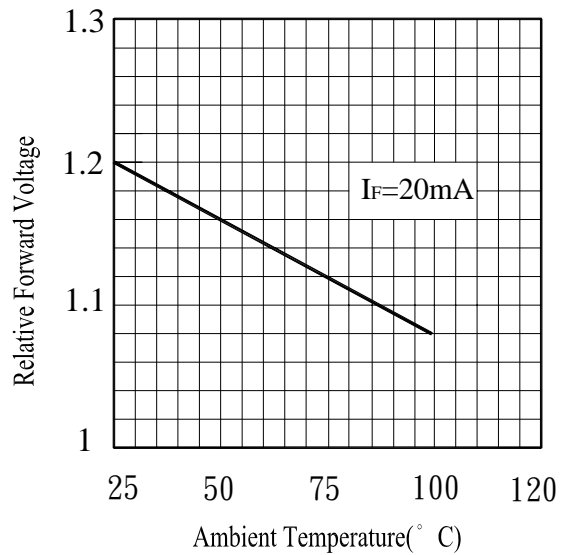


Fig.8 Forward Voltage vs. Ambient Temperature(°C)



**Precautions For Use**

## 1. Over-current-proof

Customer must apply resistors for protection , otherwise slight voltage shift will cause big current change ( Burn out will happen ).

## 2. Storage

2.1 Do not open moisture proof bag before the products are ready to use.

2.2 Before opening the package, the LEDs should be kept at 30°C or less and 90%RH or less.

2.3 The LEDs should be used within a year.

2.4 After opening the package, the LEDs should be kept at 30°C or less and 60%RH or less.

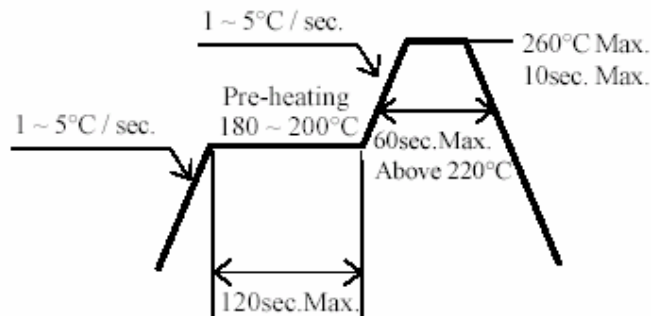
2.5 The LEDs should be used within 168 hours (7 days) after opening the package.

2.6 If the moisture absorbent material (silica gel) has faded away or the LEDs have exceeded the storage time, baking treatment should be performed using the following conditions.

Baking treatment :  $60\pm 5^{\circ}\text{C}$  for 24 hours.

## 3. Soldering Condition

## 3.1 Pb-free solder temperature profile



3.2 Reflow soldering should not be done more than two times.

3.3 When soldering, do not put stress on the LEDs during heating.

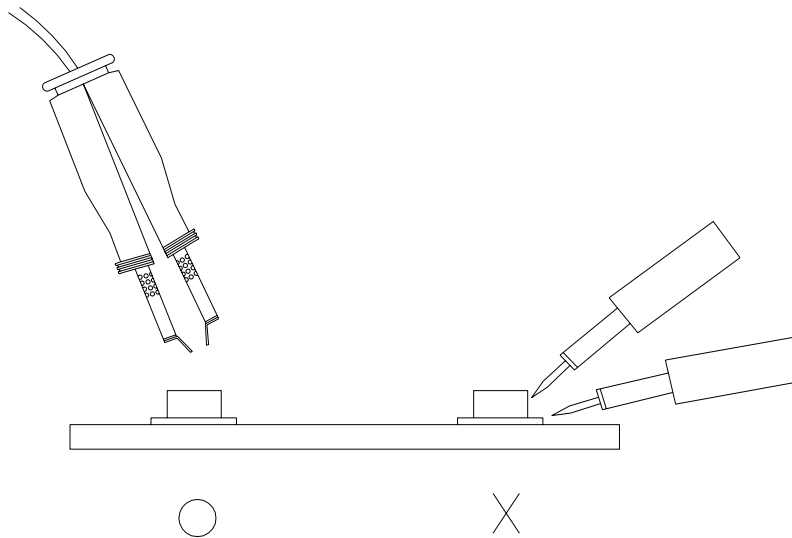
3.4 After soldering, do not warp the circuit board.

#### 4.Soldering Iron

Each terminal is to go to the tip of soldering iron temperature less than 350°C for 3 seconds within once in less than the soldering iron capacity 25W. Leave two seconds and more intervals, and do soldering of each terminal. Be careful because the damage of the product is often started at the time of the hand solder.

#### 5.Repairing

Repair should not be done after the LEDs have been soldered. When repairing is unavoidable, a double-head soldering iron should be used (as below figure). It should be confirmed beforehand whether the characteristics of the LEDs will or will not be damaged by repairing.



**Reliability Test Item And Condition**

The reliability of products shall be satisfied with items listed below.

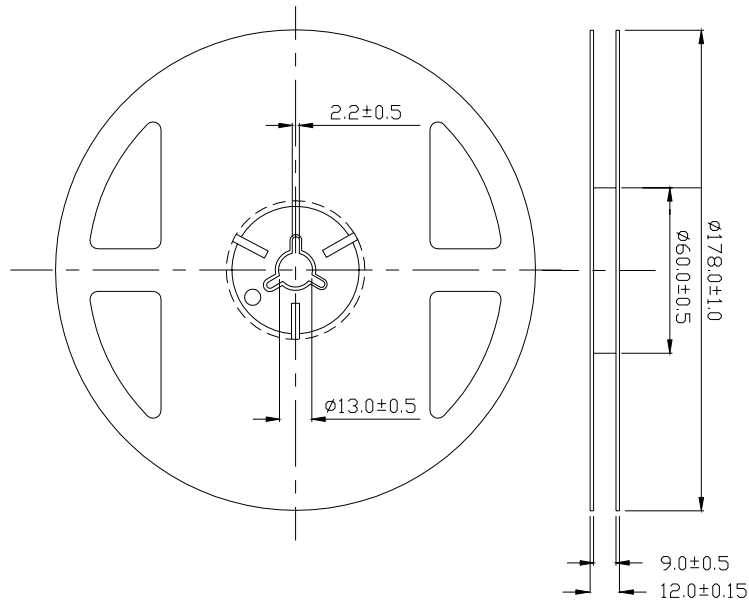
Confidence level : 90%

LTPD : 10%

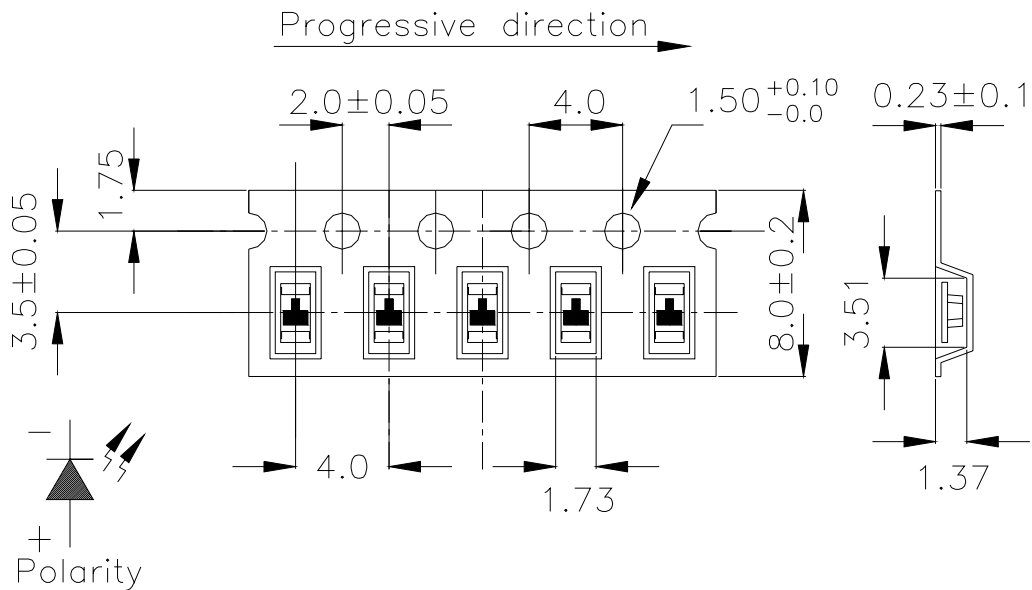
| NO. | Item                               | Test Conditions   | Test Hours/<br>Cycles | Sample<br>Sizes | Failure<br>Judgement<br>Criteria  | Ac/Re |
|-----|------------------------------------|---|-----------------------|-----------------|---|-------|
| 1   | REFLOW Soldering                   | TEMP. : 260°C±5°C<br>5secs  | 6Mins                 | 22pcs           | $I_R \geq U \times 2$<br>$E_e \leq L \times 0.8$<br>$V_F \geq U \times 1.2$<br><br>U : Upper<br>Specification<br>Limit<br><br>L : Lower<br>Specification<br>Limit | 0/1   |
| 2   | Temperature Cycle                  | H : +100°C    15mins<br>↑<br>5mins<br>↓<br>L : -40°C       15mins | 50Cycles              | 22pcs           |   | 0/1   |
| 3   | Thermal Shock                      | H : +100°C    5mins<br>↑<br>10secs<br>↓<br>L : -10°C       5mins  | 50Cycles              | 22pcs           |   | 0/1   |
| 4   | High Temperature Storage           | TEMP. : +100°C  | 1000hrs               | 22pcs           |   | 0/1   |
| 5   | Low Temperature Storage            | TEMP. : -40°C   | 1000hrs               | 22pcs           |   | 0/1   |
| 6   | DC Operating Life                  | $I_F = 20\text{mA}$   | 1000hrs               | 22pcs           |   | 0/1   |
| 7   | High Temperature/<br>High Humidity | 85°C / 85% R.H  | 1000hrs               | 22pcs           |   | 0/1   |



**Package Dimensions**



**Taping Dimensions**



**Unit:mm**

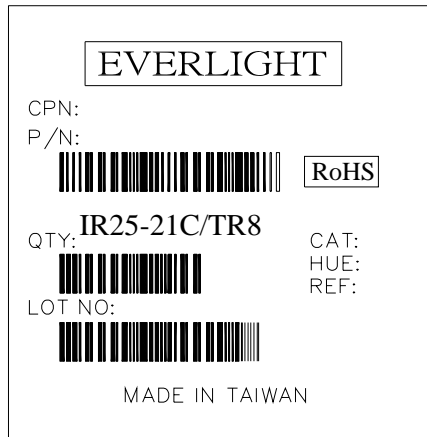


## IR25-21C/TR8

### Packing Quantity Specification

- 1.2000Pcs/1Volume , 1Volume/1Bag
- 2.10Boxes/1Carton

### Label Form Specification



CPN: Customer's Production Number  
P/N : Production Number  
QTY: Packing Quantity  
CAT: Ranks  
HUE: Peak Wavelength  
REF: Reference  
LOT No: Lot Number  
MADE IN TAIWAN: Production Place

### Notes

1. Above specification may be changed without notice. EVERLIGHT will reserve authority on material change for above specification.
2. When using this product, please observe the absolute maximum ratings and the instructions for using outlined in these specification sheets. EVERLIGHT assumes no responsibility for any damage resulting from use of the product which does not comply with the absolute maximum ratings and the instructions included in these specification sheets.
3. These specification sheets include materials protected under copyright of EVERLIGHT corporation. Please don't reproduce or cause anyone to reproduce them without EVERLIGHT's consent.

**EVERLIGHT ELECTRONICS CO., LTD.**  
Office: No 25, Lane 76, Sec 3, Chung Yang Rd,  
Tucheng, Taipei 236, Taiwan, R.O.C

Tel: 886-2-2267-2000, 2267-9936  
Fax: 886-2267-6244, 2267-6189, 2267-6306  
<http://www.everlight.com>