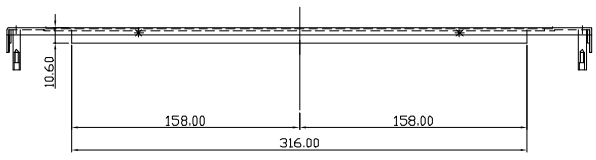
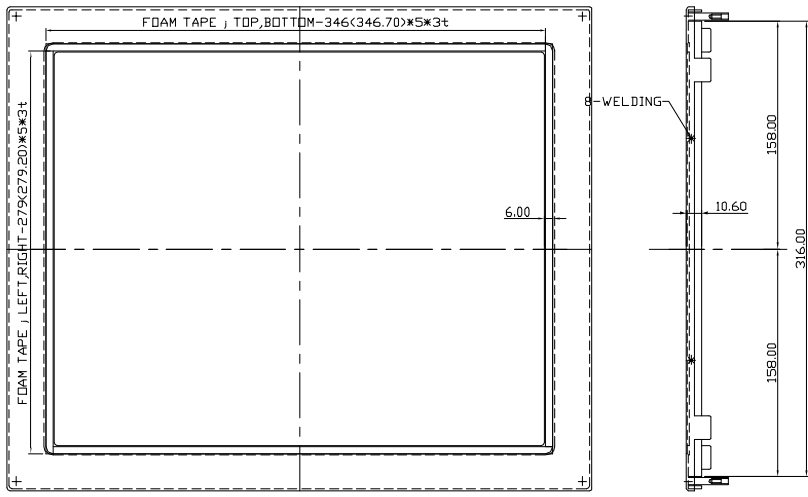


FRONT ASSEMBLY
Front View



REV. NO	DATE	ECO NO	DESCRIPTION OF CHANGE	DRAWN	APPROVAL

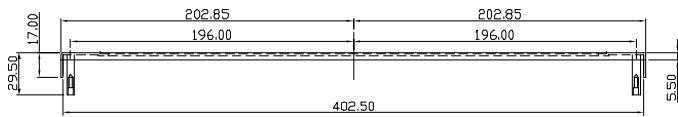
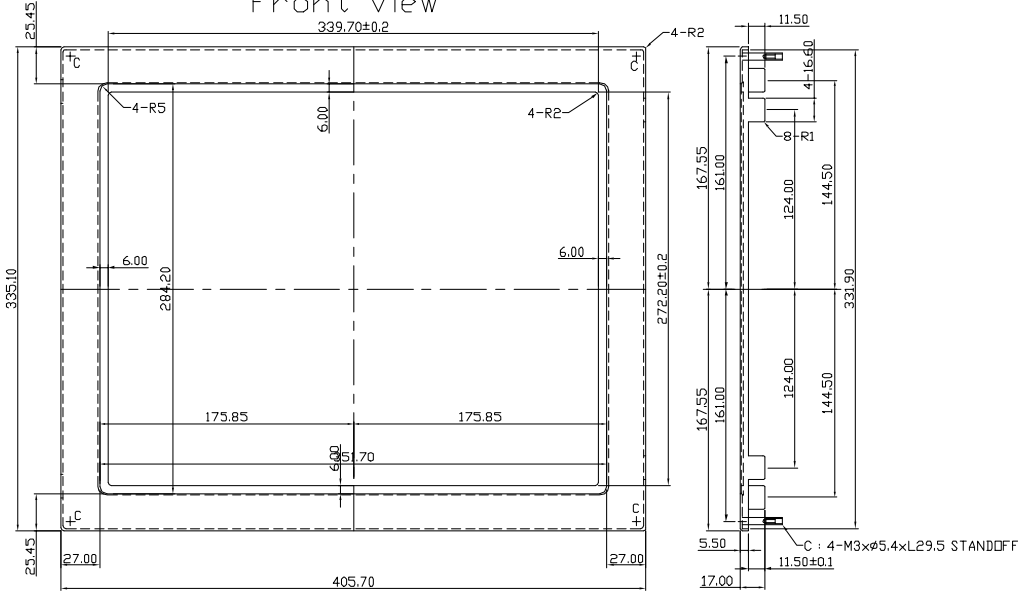
NOTE

1. Remove all sharp edges
2. No harmful on the surface
3. Material : EGI1.6t
FRONT(EGI1.6t) : BLACK PAINTING-SAND TONE
4. No inscribed ROUND, FILLET : R2
5. Front B/K 용접시 피각 유지
6. FRONT 안쪽면에 FOAM TAPE 부착-가장자리에서 약 1mmGAP 유지

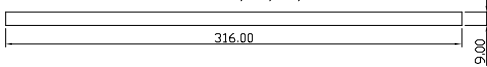
UNLESS OTHERWISE	APPROVALS	DATE	KORTEK CORPORATION		
PRESS : APPLY TO KSB-0413 ()	DRAWN S.J	021120	TITLE FRAME TFT LCD		
MOLD(APPLY TO () RESIN BY DIN 16901	REVIEWED Y.W KIM	021120	17" 3M TOUCH-FRONT		
CUSHION(APPLY TO KSA-1513	APPROVAL M.B KIM	021120	REF		REVNO
THIRD ANGLE PROJECTION	OTHER		DWG.NO	60-217240101	
			Q'TY	MATERIAL	SCALE
					UNIT
					SHEET
					1/2

REV. NO	DATE	ECO NO	DESCRIPTION OF CHANGE	DRAWN	APPROVAL

FRONT
Front View



1.6t-4EA (상, 하, 좌, 우)



NOTE

1. Remove all sharp edges
2. No harmful on the surface
3. Material : EGI1.6t
4. No inscribed ROUND, FILLET : R2

UNLESS OTHERWISE	APPROVALS	DATE	KORTEK CORPORATION			
PRESS : APPLY TO KSB-0413 ()	DRAWN S.J	021120	TITLE FRAME TFT LCD			
MOLD/APPLY TO () RESIN BY DIN 16901	REVIEWED Y.W KIM	021120	17' 3M TOUCH-FRONT			
CUSHION/APPLY TO KSA-1513	APPROVAL M.B KIM	021120	REF		REVNO	
THIRD ANGLE PROJECTION	OTHER		DWG.NO	60-217240101		
			QTY	MATERIAL	SCALE	SHEET
						2/2