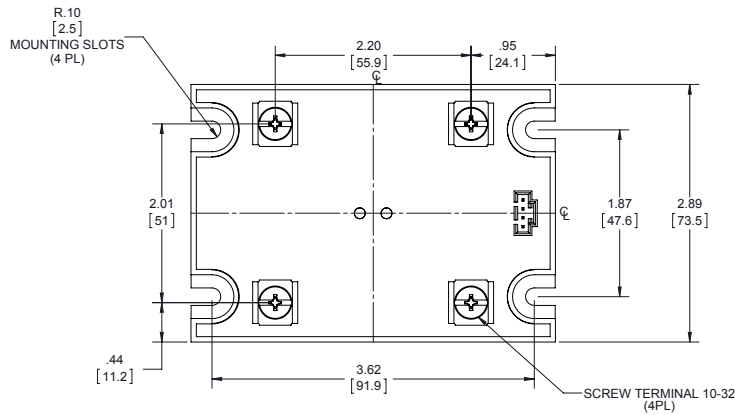
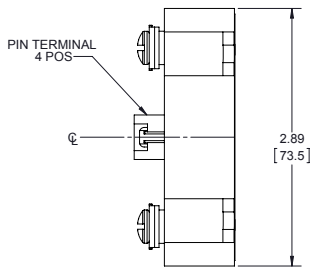
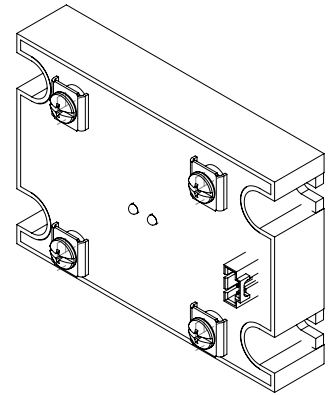
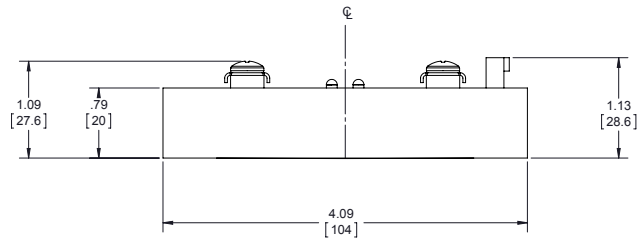


DP SERIES, 10-20 AMP

REV. DATE
05/17/11

For Technical Support:
support@crydom.com
support-europe@crydom.com



Tolerances: ± 0.02 in / 0.5 mm. All dimensions are in: inches [millimeters]

UNLESS OTHERWISE SPECIFIED, DIMENSIONS ARE IN "in [m m]" INFORMATION IN THIS DRAWING IS PROVIDED FOR REFERENCE ONLY AND IS SUBJECT TO CHANGE.