

## RACKS 16 Channel

### FEATURES

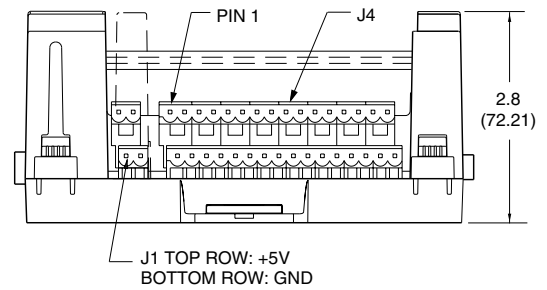
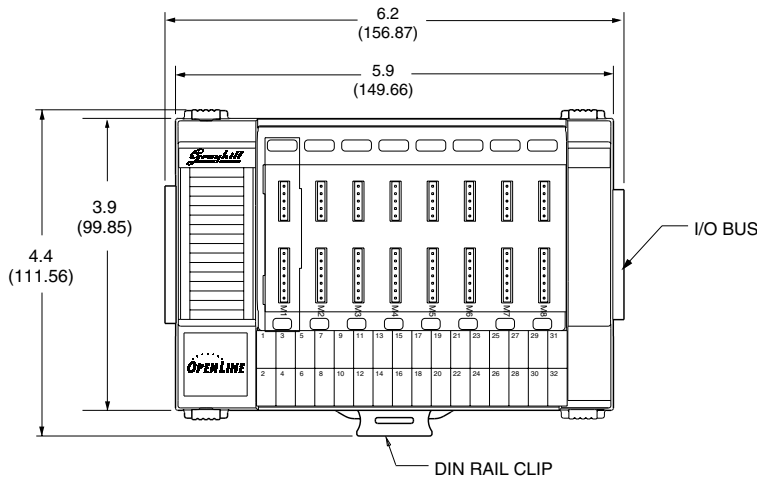
- Automatically Detects OpenLine® I/O Module Types
- Provides Direct Interface for the I/O to OpenDAC® Network Interfaces
- Multiple Termination Options
- Stack up to Two Racks for the 32 I/O channels
- Small Footprint
- DIN Rail Mount
- UL, CSA, CE (See Engineering Info, p. L-6)



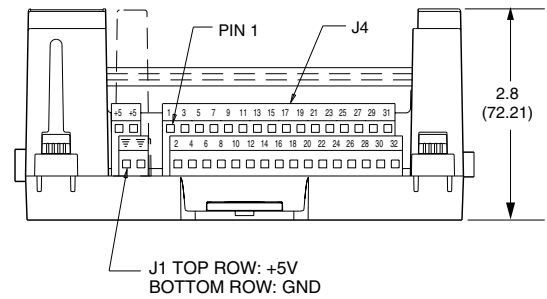
### 16 CHANNEL RACK: OpenDAC® Rack

**Part No. 70LRCK16-48**

Dimensions are shown in inches (and millimeters).  
All tolerances are  $\pm 0.010$  (0,25) unless otherwise specified.

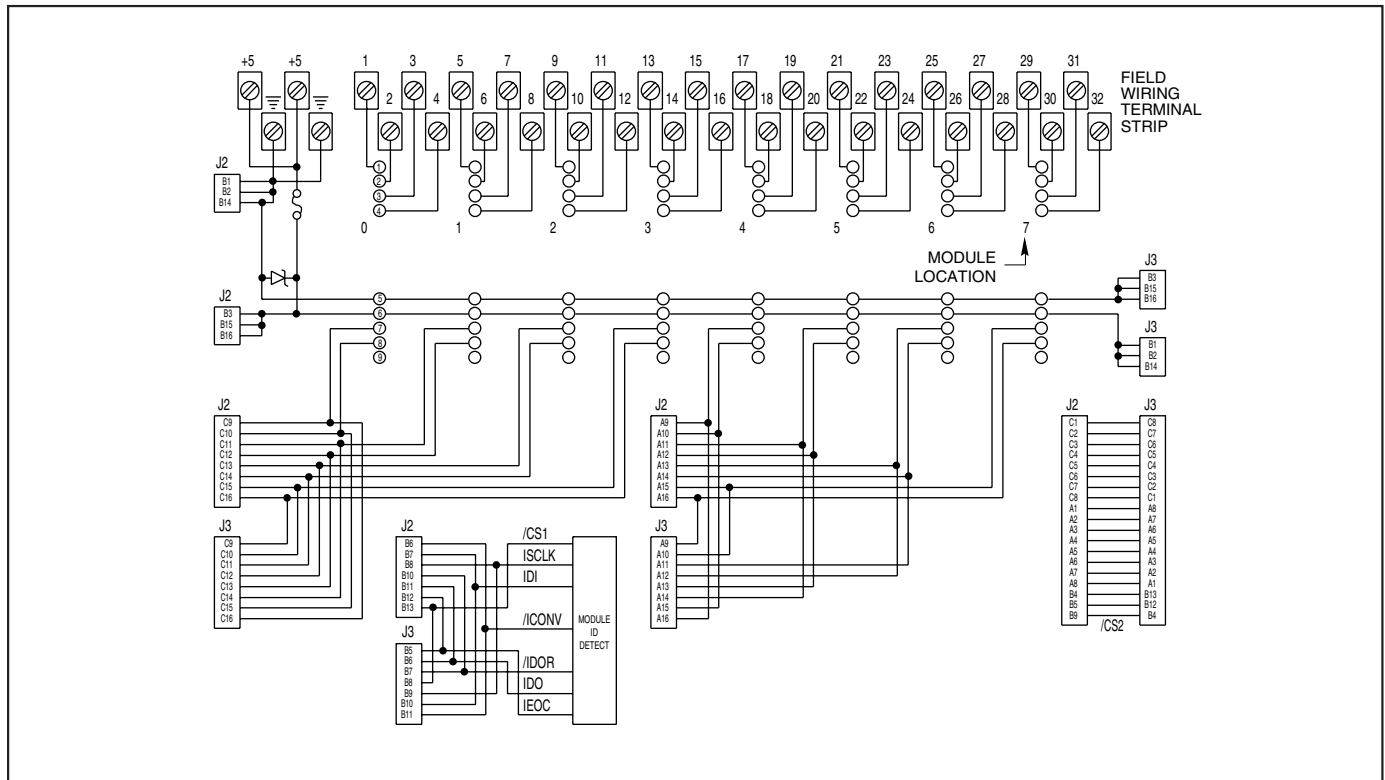


**70LRCK16-48P** (WP VERSION SOLD WITH PLUGS)



**70LRCK16-48**

**SCHEMATIC: Part No. 70LRCK16-48**



**ORDERING INFORMATION (MODULES ORDERED SEPARATELY)**

Part Number	I/O	Description	UL	CSA	Style
<b>16 Channel Racks</b>					
<b>70LRCK16-48</b>	16	48-pin Euro DIN logic signal connector. DIN rail mount.	X	X	OpenDAC®
<b>70LRCK16-48C</b>	16	48-pin Euro DIN logic signal connector. DIN rail mount with cage clamp style terminal blocks	X	X	OpenDAC®
<b>70LRCK16-48P</b>	16	48-pin Euro DIN logic signal connector. DIN rail mount with pluggable terminal blocks	X	X	OpenDAC®
<b>70LRCK16-48WP</b>	16	48-pin Euro DIN logic signal connector. DIN rail mount with pluggable terminal blocks, plug included	X	X	OpenDAC®

**Available from your local Grayhill Distributor.** For prices and discounts, contact a local Sales Office, an authorized local Distributor or Grayhill.

OpenDAC® I/O System