

# Propeller™ C3 Enclosure (#721-32209)

The Propeller C3 Enclosure is designed especially for the Propeller C3 application platform, with or without the optional Propeller C3 Prototype Board. Its elegant black transparency and sleek lines provide both beauty and protection for your Propeller C3 projects and applications.



## Features

- Precision laser cut 0.110" acrylic
- Transparent black color, with etched port labels and C3 logo
- Includes all necessary hardware for mounting a single Propeller C3, or a stacked configuration containing both a Propeller C3 and a C3 Prototype Board
- Precision cut portals provide external access for critical ports and controls—without need for dismantling the enclosure
- Dimensions: 2.8 x 4.3 x 1.5 in (7.1 x 10.9 x 3.8 cm) when used with the C3 alone;  
2.8 x 4.3 x 2.3 in (7.1 x 10.9 x 5.8 cm) with the Propeller C3 and the C3 Prototype Board

## Bill of Materials

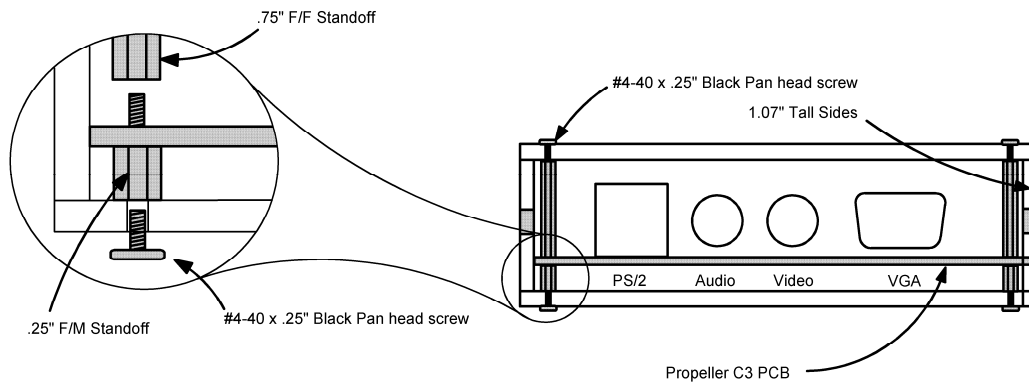
Part #	Qty	Description
720-32014	1	C3 Logo acrylic top cover
720-32014	1	Acrylic bottom plate
720-32014	4	1.07" (2.72 cm) side walls w/ pre-cut portals
720-32014	4	1.88" (4.78 cm) side walls w/ pre-cut portals
710-00100	8	#4-40 x 1/4" black SS, Phillips pan head screws
700-00087	4	Clear rubber feet
713-00040	4	#4-40 x 3/4" F/F Hex Aluminum standoff
713-00041	4	#4-40 x 3/4" F/M Hex Aluminum standoff
713-00021	4	#4-40 x 1/4" F/M Hex Aluminum standoff

## Tools Required

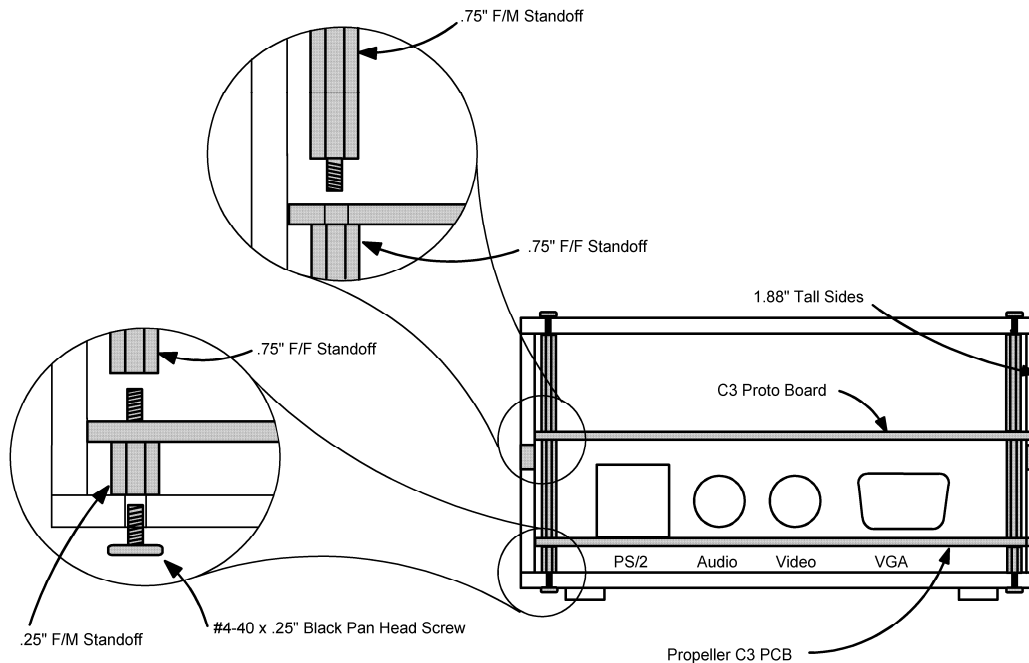
- Small Phillips screwdriver
- Safety glasses

## Assembly Instructions

Step 1: Determine whether you're going to assemble a single-height case for the Propeller C3 alone, or a double-height case for the Propeller C3 with the optional C3 Prototype Board. Refer to either Figure 1 or Figure 2 for proper hardware assembly during the next steps.



**Figure 1:**  
Single-height Case  
for Propeller C3  
Alone



**Figure 2:**  
Double-height Case  
for Propeller C3  
with C3 Prototype  
Board

Step 2: Remove the protective paper from the acrylic pieces.

Step 3: Attach the (4) .25" long F/M standoffs through each of the four corner mounting holes of your Propeller C3 board with a corresponding .75" long F/F standoff. The short standoffs go under the board, and the longer standoffs go on top. Make them snug, but do not over-tighten.

Step 4: Place the assembly face down on the .75" standoffs, with the bottom of the Propeller C3 facing upwards.

Step 5: Mount the base plate (the large acrylic plate without the C3 logo) onto the short standoffs and attach with (4) #4-40 black pan head screws. Do not tighten yet.

Step 6: *For the Single-height Case...* Flip the assembly right-side up. Now insert the 1.07" sides into their corresponding holes in the base plate. Be sure to align the cut-outs with the proper ports on the Propeller C3. Proceed to Step 7.

*For Double-height Case...* Flip the assembly right-side up. Align the connectors of the Propeller C3 and Prototype boards, and fully seat them together. The Prototype Board should rest flat on each of the four F/F standoffs. Screw the four F/M standoffs through the Prototype Board holes and into the F/F standoffs. Insert the 1.88" sides into their corresponding holes in the base plate. Be sure to align the cut-outs with the proper ports.

Step 7: Place the top plate (the remaining acrylic panel with the C3 logo) on top of the assembly, and attach it with the (4) remaining #4-40 pan head screws.

Step 8: Tighten all (8) pan head screws.

Step 9: Attach the (4) rubber feet to the bottom, and now you can show off your project!