

LXC120 series

LED Power Supply

Constant Current Power Supplies

LED Power
120W

LED POWER
next generation power
source

FEATURES

- High Efficiency (up to 92%)
- Constant Output Current
- Active PFC (Typical 0.99)
- IP67 Waterproof
- OVP, SCP
- -35 to 70°C deg operation
- Universal Input 90-305VAC
- UL8750 compliant
- EN61347-1, -2-13 compliant

The LXC120 series of constant current LED power supplies from Excelsys Technologies can deliver up to 120W of output power in an extremely compact package size.

The LXC120 series of constant current power supplies provides up to 4900mA of output current and 343V output voltage solutions for specific LED requirements. With industry leading efficiencies, and an extensive protection feature set, the LXC120 series provides high reliability and high performance in a compact package.

| Model Number | Output Voltage | Output Current | Input Voltage | OVP Latching max | Efficiency |
|---------------|----------------|----------------|---------------|------------------|------------|
| LXC120-0350SW | 206-343V | 350mA | 90-305VAC | 480V | 92.0% |
| LXC120-0450SW | 160-266V | 450mA | 90-305VAC | 373V | 92.0% |
| LXC120-0700SW | 103-171V | 700mA | 90-305VAC | 240V | 92.0% |
| LXC120-1050SW | 68-114V | 1050mA | 90-305VAC | 160V | 91.0% |
| LXC120-1400SW | 52-86V | 1400mA | 90-305VAC | 121V | 91.0% |
| LXC120-1750SW | 41-68V | 1750mA | 90-305VAC | 96V | 91.0% |
| LXC120-2100SW | 34-57V | 2100mA | 90-305VAC | 80V | 91.0% |
| LXC120-2450SW | 29-49V | 2450mA | 90-305VAC | 69V | 91.0% |
| LXC120-2800SW | 26-43V | 2800mA | 90-305VAC | 61V | 91.0% |
| LXC120-3150SW | 23-38V | 3150mA | 90-305VAC | 54V | 90.5% |
| LXC120-3500SW | 20-34V | 3500mA | 90-305VAC | 48V | 90.5% |
| LXC120-4200SW | 17-28V | 4200mA | 90-305VAC | 40V | 90.5% |
| LXC120-4900SW | 14-24V | 4900mA | 90-305VAC | 34V | 90.5% |

| Input Specifications | | | | | |
|---------------------------|--|------|-----------|------|---------|
| Parameter | Conditions/Description | Min | Nom | Max | Units |
| Input Voltage Range | Universal Input | 90 | | 305 | VAC |
| Input Frequency Range | | 47 | | 63 | Hz |
| Input Current | 100VAC in, 100W output | | | 1.5 | A |
| Inrush Current | 230VAC in, 25°C, Cold Start | | | 65 | A |
| Power Factor | 220VAC, 110VAC | 0.96 | | 0.99 | |
| Output Specifications | | | | | |
| Parameter | Conditions/Description | Min | Nom | Max | Units |
| Line Regulation | | | | ±1 | % |
| Load Regulation | | | | ±5 | % |
| Voltage Range | See table of outputs | | | | |
| Output Current Range | % of Iout | | | ±5 | % |
| Ripple and Noise | 20MHz Bandwidth. See Note 1 | | | 3.0 | % pk-pk |
| Overshoot | | | | 10 | % |
| Turn-on Delay | Measured at 220VAC and full load | | 0.6 | 1 | s |
| Short Circuit Protection | Auto Recovery | | | | |
| Over Voltage Protection | Latching. See individual models OVP levels | | | | |
| General Specifications | | | | | |
| Parameter | Conditions/Description | Min | Nom | Max | Units |
| Isolation Voltage | Input to Output See Note 2 | 3750 | | | VAC |
| | Input to Chassis | 1500 | | | VAC |
| Efficiency | See individual models | | 91 | | % |
| Safety Agency Approvals | UL8750, EN61347-1, -2-13 | | | | |
| No load Power Dissipation | Measured at 230 Vac | | | 1.0 | W |
| MTBF | Telecordia SR-33, 25°C | | 2,000,000 | | Hours |
| Lifetime | 25°C | | 80,000 | | Hours |
| Weight | | | 1000 | | g |
| Operating Temperature | | -35 | | +70 | °C |
| Storage Temperature | | -40 | | +85 | °C |
| Relative Humidity | Non-condensing (operating) | 10 | | 100 | %RH |



Europe/Asia
Excelsys Technologies Ltd
27 Eastgate Drive
Eastgate Business Park
Little Island, Cork, Ireland
IRELAND

North America
Excelsys Technologies
519 Interstate 30, #309
Rockwall, TX 75087
USA

t: +353 21 4354716
f: +353 21 4354864
e: sales@excelsys.com

t: (972) 771 4544
f: (972) 421 1805
e: salesusa@excelsys.com

| EMC | | | |
|---------------------------|--------------|-----------|-------|
| Parameter | Standard | Level | Units |
| Emissions | | | |
| Conducted | EN55015 | Compliant | |
| Radiated | EN55015 | Compliant | |
| Harmonic Distortion | EN61000-3-2 | Compliant | |
| Flicker and Fluctuation | EN61000-3-3 | Compliant | |
| Immunity | | | |
| ESD | EN61000-4-2 | Level 4 | |
| Radiated RFI | EN61000-4-3 | Level 3 | |
| Fast Transients - burst | EN61000-4-4 | Level 4 | |
| Surge Immunity | EN61000-4-5 | Level 4 | |
| Conducted RFI | EN61000-4-6 | Compliant | |
| Power Freq Magnetic Field | EN61000-4-8 | Compliant | |
| Voltage Dips | EN61000-4-11 | | |

Note 1. Output connected in parallel with 0.1uF ceramic capacitor and 10uF electrolytic capacitor.
 Note 2. Primary to Secondary Isolation test not to be carried out on power supply.

INPUT / OUTPUT WIRING

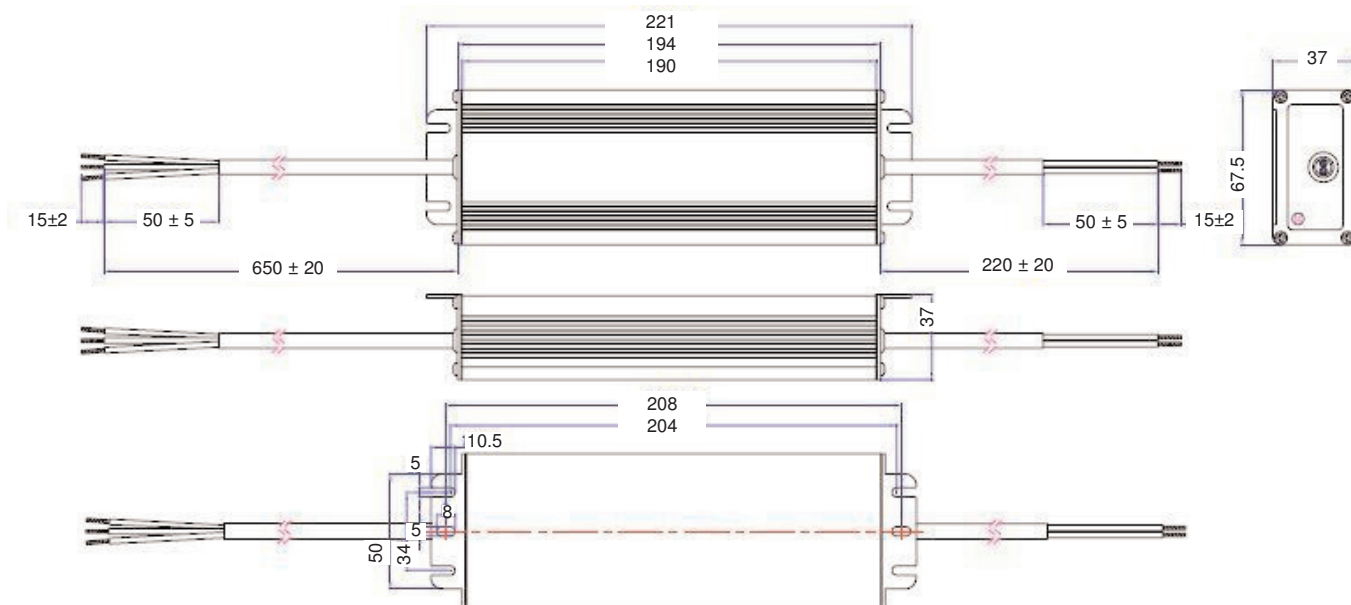
INPUT CABLE

SJTW 18AWG 3C
 Black (L), White(N), Green (G) 650±20mm

OUTPUT CABLE

SJTW 18AWG 2C
 Black (-V) and Red (+V) 220±20mm

MECHANICAL SPECIFICATIONS



Specifications are subject to change without notice

LXC120 Datasheet Pre Release 30 Sept 2010



Europe/Asia

Excelsys Technologies Ltd t: +353 21 4354716
 27 Eastgate Drive f: +353 21 4354864
 Eastgate Business Park e: sales@excelsys.com
 Little Island, Cork, Ireland
 IRELAND

North America

Excelsys Technologies t: (972) 771 4544
 519 Interstate 30, #309 f: (972) 421 1805
 Rockwall, TX 75087 e: salesusa@excelsys.com
 USA