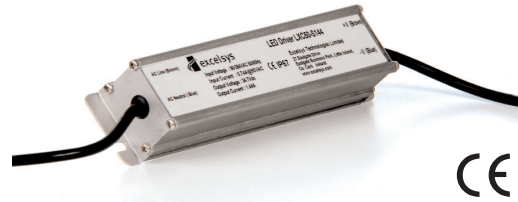


# LXC35 series

## LED Power Supply

### Constant Current LED Power Supplies

LED Power  
35W

**LED POWER**  
next generation power  
source

#### FEATURES

- High Efficiency (up to 88%)
- Active PFC (Typical 0.92)
- IP67 Waterproof
- OVP, SCP
- -35 to 55°C deg operation
- Universal Input 90-305VAC
- UL8750 recognised
- EN61347-1, -2-13 compliant

The LXC35 series of constant current LED power supplies from Excelsys Technologies can deliver up to 35W of output power in an extremely compact package size.

The LXC35 series of constant current power supplies provides up to 2900mA of output current and 100V output voltage solutions for specific LED requirements. With industry leading efficiencies, and an extensive protection feature set, the LXC35 series provides high reliability and high performance in a compact package.

The LXC35 series carries the CE mark for safety and is also RoHS compliant. For more details contact [sales@excelsys.com](mailto:sales@excelsys.com)

Model Number	Output Voltage	Output Current	Input Voltage	OVP Latching max	Efficiency	Ripple V
LXC35-0350SW	33-100V	350mA	90-305VAC	112V	87.0%	10V
LXC35-0450SW	26-78V	450mA	90-305VAC	87V	87.0%	8V
LXC35-0700SW(C)	17-50V	700mA	90-305VAC	59V	86.0%	5V
LXC35-1050SW(C)	11-33V	1050mA	90-305VAC	42V	86.0%	4V
LXC35-1400SW(C)	8-24V	1400mA	90-305VAC	32V	85.0%	4V
LXC35-1750SW(C)	7-20V	1750mA	90-305VAC	27V	84.0%	4V
LXC35-2100SW(C)	6-18V	2100mA	90-305VAC	25V	84.0%	4V
LXC35-2450SW(C)	5-15V	2450mA	90-305VAC	21V	83.0%	4V
LXC35-2900SW(C)	4-12V	2900mA	90-305VAC	18V	82.0%	4V

#### Input Specifications

Parameter	Conditions/Description	Min	Nom	Max	Units
<b>Input Voltage Range</b>	Universal Input	90		305	VAC
<b>Input Frequency Range</b>		47		63	Hz
<b>Input Current</b>	100VAC in, 35W output			0.49	A
<b>Leakage Current</b>	277VAC Input, 50Hz			0.5	mA
<b>Inrush Current</b>	230VAC in, 25°C, Cold Start			60	A
<b>Power Factor</b>	220VAC, 110VAC	0.92		0.98	

#### Output Specifications

Parameter	Conditions/Description	Min	Nom	Max	Units
<b>Line Regulation</b>				±3	%
<b>Load Regulation</b>				±5	%
<b>Voltage Range</b>	See individual models				
<b>Ripple and Noise</b>	See individual models				
<b>Overshoot</b>			10		%
<b>Turn-on Delay</b>	Measured at 220VAC and full load			3	s
<b>Short Circuit Protection</b>	Auto Recovery				
<b>Over Voltage Protection</b>	Hiccup, Auto recovery				

#### General Specifications

Parameter	Conditions/Description	Min	Nom	Max	Units
<b>Isolation Voltage</b>	Input to Output See Note A	3750			VAC
	Input to Chassis	1500			VAC
<b>Efficiency</b>	See individual models		88		%
<b>Safety Agency Approvals</b>	UL8750, EN61347-1, -2-13, UL1310 Note H				
<b>No load Power Dissipation</b>	Measured at 230 Vac			6.0	W
<b>MTBF</b>	MIL-HDBK-217F, 110VAC input, 80% load, 25°C		541,000		Hours
<b>Lifetime</b>	110VAC input, 80% load, 45°		87,000		Hours
<b>Weight</b>			480		g
<b>Operating Temperature</b>		-35		+55	°C
<b>Storage Temperature</b>		-40		+85	°C
<b>Relative Humidity</b>	Non-condensing (operating)	10		100	%RH

1



#### Europe/Asia

Excelsys Technologies Ltd  
27 Eastgate Drive  
Eastgate Business Park  
Little Island, Cork, Ireland  
IRELAND

t: +353 21 4354716

f: +353 21 4354864

e: [sales@excelsys.com](mailto:sales@excelsys.com)

#### North America

Excelsys Technologies  
519 Interstate 30, #309  
Rockwall, TX 75087  
USA

t: (972) 771 4544

f: (972) 421 1805

e: [salesusa@excelsys.com](mailto:salesusa@excelsys.com)

EMC					
Parameter	Standard		Level		Units
<b>Emissions</b>					
Conducted	EN55015		Level B		
Radiated	EN55015		Level B		
Harmonic Distortion	EN61000-3-2		Compliant		
Flicker and Fluctuation	EN61000-3-3		Compliant		
<b>Immunity</b>					
ESD	EN61000-4-2		Level 4		
Radiated RFI	EN61000-4-3		Level 3		
Fast Transients - burst	EN61000-4-4		Level 4		
Conducted RFI	EN61000-4-6		Compliant		
Power Freq Magnetic Field	EN61000-4-8		Compliant		
Voltage Dips	EN61000-4-11		Compliant		

Dimming Control					
Parameter		Min	Nom	Max	Units
10V Output Voltage		9.8	10.0	10.2	VDC
10V Output Source Current		-10		2	mA
Control Voltage (1-10V input)	Voltage applied on 1-10V input wire	-2		15	V
Source Current (1-10V input)	Source current on 1-10V input wire	0		1	mA

- Note A. Primary to Secondary Isolation test not to be carried out on power supply.  
 Note B. Load Voltage must be maintained above minimum voltage. See models for voltage range.  
 Note C. UL1310 Class 2 outputs for US and Canada except LXC35-0700SW which is Class 2 in US only

## INPUT / OUTPUT WIRING

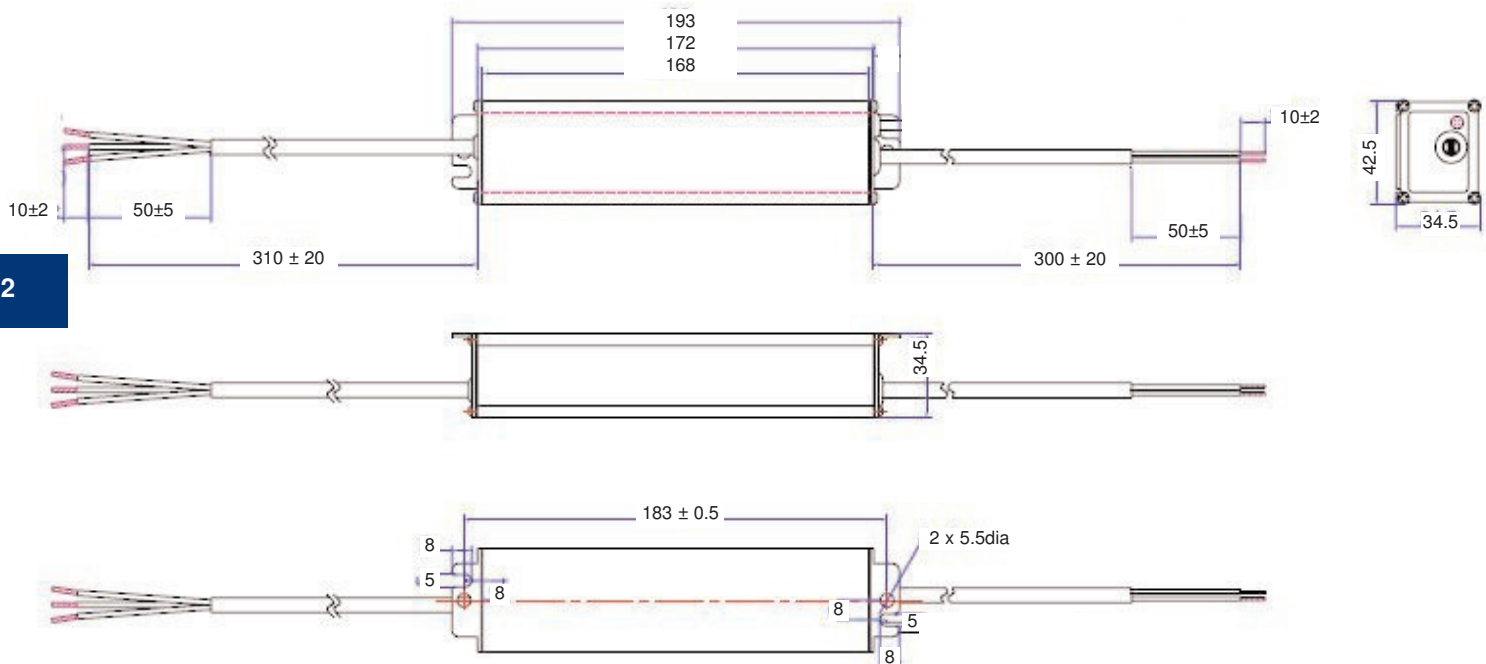
### INPUT CABLE

SJTW 18AWG 3C  
 Black (L), White (N), Green (G) 310±20mm

### OUTPUT CABLE

SJTW 18AWG 2C  
 Black (-V) and Red (+V) 300±20mm

## MECHANICAL SPECIFICATIONS



Specifications are subject to change without notice

LXC35 datasheet Pre Release 14 March 2011



### Europe/Asia

Excelsys Technologies Ltd t: +353 21 4354716  
 27 Eastgate Drive f: +353 21 4354864  
 Eastgate Business Park e: sales@excelsys.com  
 Little Island, Cork, Ireland  
 IRELAND

### North America

Excelsys Technologies t: (972) 771 4544  
 519 Interstate 30, #309 f: (972) 421 1805  
 Rockwall, TX 75087 e: salesusa@excelsys.com  
 USA