

Dialight



LED Panel Indicators 600 Series Selector Guide



600 SERIES LED PANEL MOUNT INDICATORS

FEATURES / BENEFITS

- ▲ RoHS Compliant
- ▲ Long Life - typically 100K hours
- ▲ Low power consumption - uses up to 90% less energy than an incandescent indicator
- ▲ No heat generated
- ▲ Colors include red, green and yellow
- ▲ Front panel mounting
- ▲ LED can be recessed or protrude from housing

Page 1: 605 Series
606 Series

Page 2: 607 Series

Page 3: 608 Series

Page 4: 609 Series

Page 5: 610 Series
612 Series
616 Series

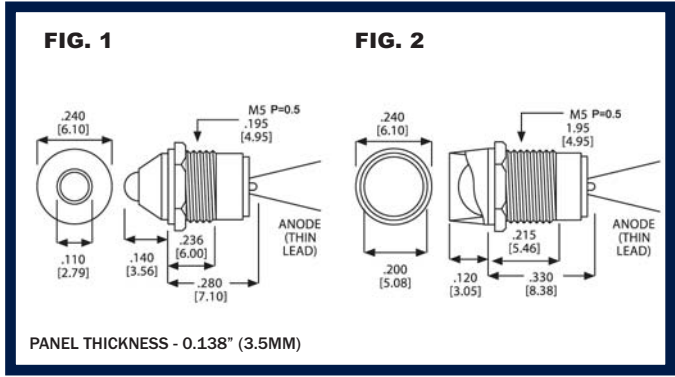


NOTE: Dimensions in inches [mm]
All measurements are typical

	Series	Mounting Hole Size	Available Colors	Operating Requirements	Mounting Style (All Front Mounting)	Operating Temperature	Storage Temperature	Termination
	605	5 mm (0.196")	<ul style="list-style-type: none"> ● Red ● Green ● Yellow 	2 VDC	Nut and Washer	-25°C to+85°C	-25°C to+100°C	Leads
	606	6 mm (0.236")	<ul style="list-style-type: none"> ● Red ● Green ● Yellow ● R/G Bi-color 	2, 6, 12 VDC	Nut and Washer	-25°C to+85°C	-25°C to+100°C	Leads
	607	7 mm (0.276")	<ul style="list-style-type: none"> ● Red ● Green ● Yellow 	2, 6, 12 VDC	Nut and Washer	-25°C to+85°C	-25°C to+85°C	Solder
	608	8 mm (0.315")	<ul style="list-style-type: none"> ● Red ● Green ● Yellow 	2, 6, 12, 24 VDC	Nut and Washer or Snap-In	-25°C to+85°C	-25°C to+85°C	Leads or Solder
	609	9 mm (0.354")	<ul style="list-style-type: none"> ● Red ● Green ● Yellow 	6, 12, 24 VDC	Nut and Washer	-25°C to+85°C	-25°C to+100°C	Solder
	610	10 mm (0.394")	<ul style="list-style-type: none"> ● Red ● Green ● Yellow 	6 VDC	Nut and Washer	-25°C to+85°C	-25°C to+100°C	Solder
	612	12 mm (0.492")	<ul style="list-style-type: none"> ● Red ● Green ● Yellow 	6, 12, 24 VDC	Nut and Washer	-25°C to+85°C	-25°C to+100°C	Solder
	616	16 mm (0.642")	<ul style="list-style-type: none"> ● Red ● Green ● Yellow 	6, 12, 24 VDC	Nut and Washer	-25°C to+85°C	-25°C to+100°C	Solder

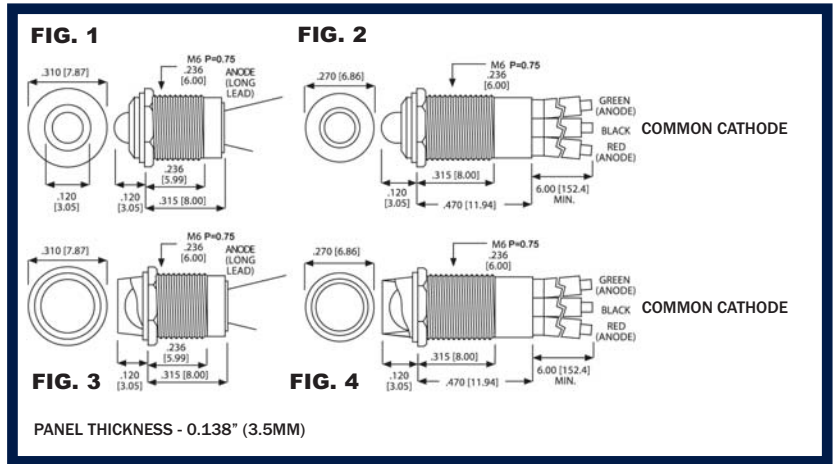
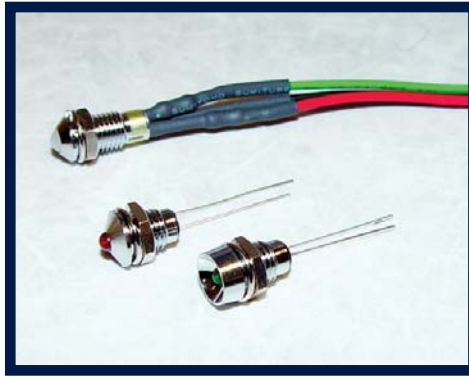
Dialight reserves the right to make changes at anytime in order to supply the best product possible. Contact us directly for the latest information.

605 SERIES (FOR 5MM MOUNTING HOLE)



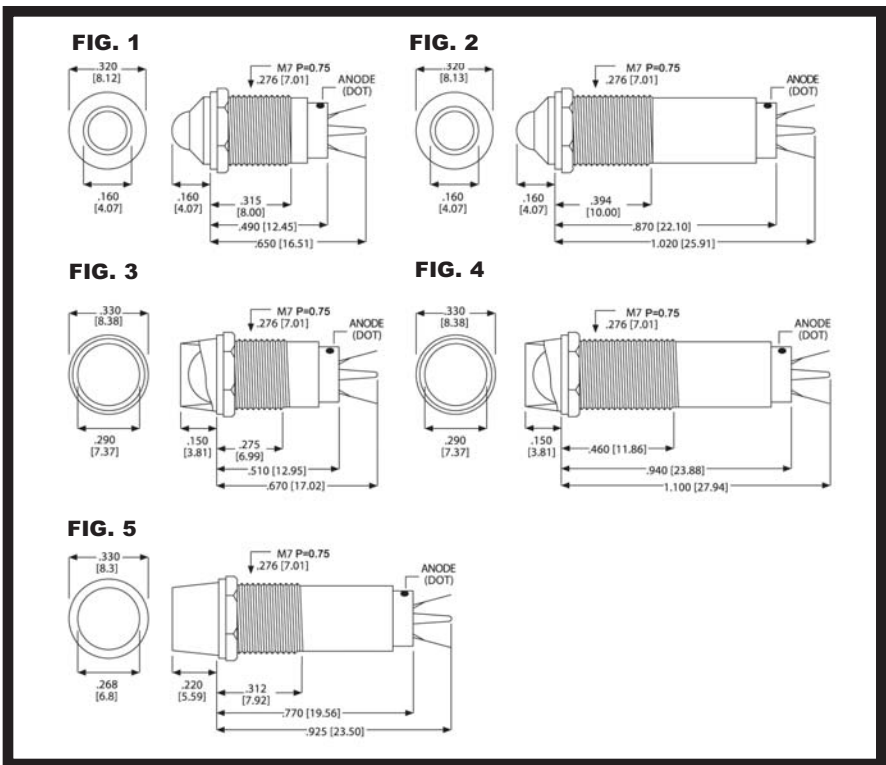
DIALIGHT P/N	EMITTED COLOR	VOLTAGE (VDC)	CURRENT (mA)	TYP. INTENSITY (mcd)	LED POSITIONS	FINISH	FIGURE
605-1111-110F	Red	2	15	37	Protruding	Chrome	1
605-1211-110F	Green	2	15	16	Protruding	Chrome	1
605-1311-110F	Yellow	2	15	30	Protruding	Chrome	1
605-2111-110F	Red	2	15	37	Recess	Chrome	2
605-2211-110F	Green	2	15	16	Recess	Chrome	2
605-2311-110F	Yellow	2	15	30	Recess	Chrome	2

606 SERIES (FOR 6MM MOUNTING HOLE)



DIALIGHT P/N	EMITTED COLOR	VOLTAGE (VDC)	CURRENT (mA)	TYP. INTENSITY (mcd)	LED POSITIONS	FINISH	FIGURE
606-1111-110F	Red	2	5	8	Protruding	Chrome	1
606-1211-110F	Green	2	15	30	Protruding	Chrome	1
606-1311-110F	Yellow	2	15	30	Protruding	Chrome	1
606-1415-110F	Red	2	10	35	Protruding	Chrome	2
	Green	2	10	18			
606-1415-120F	Red	6	10	35	Protruding	Chrome	2
	Green	6	10	18			
606-1415-130F	Red	12	10	35	Protruding	Chrome	2
	Green	12	10	18			
606-2111-110F	Red	2	5	8	Recess	Chrome	3
606-2211-110F	Green	2	15	30	Recess	Chrome	3
606-2311-110F	Yellow	2	15	30	Recess	Chrome	3
606-2415-110F	Red	2	10	35	Recess	Chrome	4
	Green	2	10	18			
606-2415-120F	Red	6	10	35	Recess	Chrome	4
	Green	6	10	18			
606-2415-130F	Red	12	10	35	Recess	Chrome	4
	Green	12	10	18			

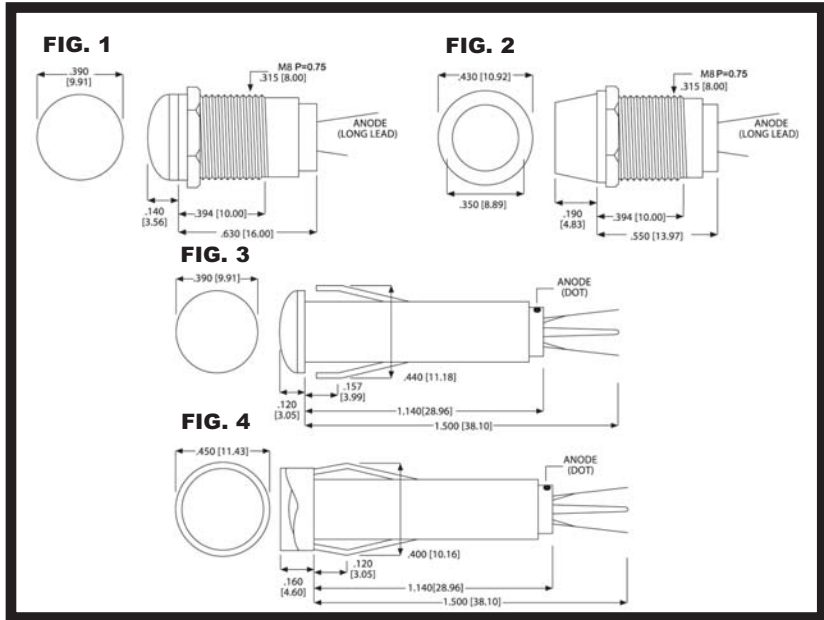
607 SERIES (FOR 7MM MOUNTING HOLE)



DIALIGHT P/N	EMITTED COLOR	VOLTAGE (VDC)	CURRENT (mA)	TYP. INTENSITY (mcd)	LED POSITIONS	FINISH	FIGURE	PANEL THICKNESS
607-1112-110F	Red	2	15	22	Protruding	Chrome	1	0.138 inches (3.5mm)
607-1212-110F	Green	2	15	50	Protruding	Chrome	1	
607-1312-110F	Yellow	2	15	66	Protruding	Chrome	1	
607-1112-120F	Red	6	15	22	Protruding	Chrome	2	0.236 inches (6mm)
607-1212-120F	Green	6	15	50	Protruding	Chrome	2	
607-1312-120F	Yellow	6	15	66	Protruding	Chrome	2	
607-1112-130F	Red	12	15	22	Protruding	Chrome	2	
607-1212-130F	Green	12	15	50	Protruding	Chrome	2	
607-1312-130F	Yellow	12	15	66	Protruding	Chrome	2	
607-2112-110F	Red	2	15	22	Recess	Chrome	3	0.138 inches (3.5mm)
607-2212-110F	Green	2	15	50	Recess	Chrome	3	
607-2312-110F	Yellow	2	15	66	Recess	Chrome	3	
607-2112-120F	Red	6	15	22	Recess	Chrome	4	0.236 inches (6mm)
607-2212-120F	Green	6	15	50	Recess	Chrome	4	
607-2312-120F	Yellow	6	15	66	Recess	Chrome	4	
607-2112-130F	Red	12	15	22	Recess	Chrome	4	
607-2212-130F	Green	12	15	50	Recess	Chrome	4	
607-2312-130F	Yellow	12	15	66	Recess	Chrome	4	
607-3132-120F	Red	6	15	20	Internal	Polycarbonate*	5	0.236 inches (6mm)
607-3232-120F	Green	6	15	45	Internal	Polycarbonate*	5	
607-3332-120F	Yellow	6	15	60	Internal	Polycarbonate*	5	
607-3132-130F	Red	12	15	20	Internal	Polycarbonate*	5	
607-3232-130F	Green	12	15	45	Internal	Polycarbonate*	5	
607-3332-130F	Yellow	12	15	60	Internal	Polycarbonate*	5	

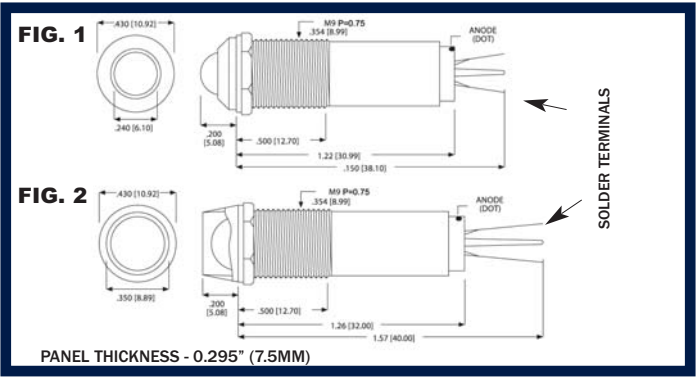
* Match emitting color





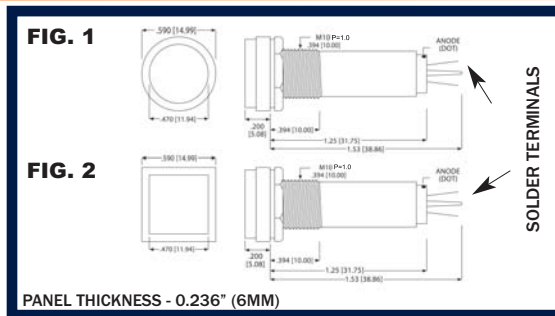
DIALIGHT P/N	EMITTED COLOR	VOLTAGE (VDC)	CURRENT (mA)	TYP. INTENSITY (mcd)	FIGURE	PANEL THICKNESS
Lock washer & nut						
608-1131-110F	Red	2	15	20	1	0.236 inches (6 mm)
608-1231-110F	Green	2	15	15	1	
608-1331-110F	Yellow	2	15	4	1	
608-3131-110F	Red	2	15	20	2	
608-3231-110F	Green	2	15	15	2	
608-3331-110F	Yellow	2	15	4	2	
Snap-fit						
608-1132-220F	Red	6	15	60	3	0.197 inches (5 mm)
608-1132-230F	Red	12	15	60	3	
608-1132-240F	Red	24	15	60	3	
608-1232-220F	Green	6	15	110	3	
608-1232-230F	Green	12	15	110	3	
608-1232-240F	Green	24	15	110	3	
608-1332-220F	Yellow	6	15	90	3	
608-1332-230F	Yellow	12	15	90	3	
608-1332-240F	Yellow	24	15	90	3	
608-2132-220F	Red	6	15	60	4	
608-2132-230F	Red	12	15	60	4	
608-2132-240F	Red	24	15	60	4	
608-2232-220F	Green	6	15	110	4	
608-2232-230F	Green	12	15	110	4	
608-2232-240F	Green	24	15	110	4	
608-2332-220F	Yellow	6	15	90	4	
608-2332-230F	Yellow	12	15	90	4	
608-2332-240F	Yellow	24	15	90	4	

609 SERIES (FOR 9MM MOUNTING HOLE)



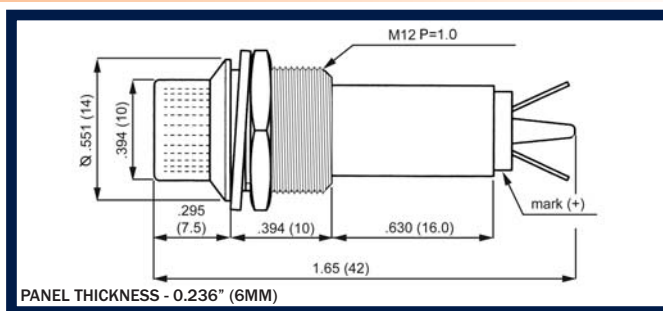
DIALIGHT P/N	EMITTED COLOR	VOLTAGE (VDC)	CURRENT (mA)	TYP. INTENSITY (mcd)	LED POSITIONS	FIGURE	FINISH
609-1112-120F	Red	6	15	60	Protruding	1	Chrome
609-1122-120F	Red	6	15	60	Protruding	1	Black
609-1212-120F	Green	6	15	110	Protruding	1	Chrome
609-1222-120F	Green	6	15	110	Protruding	1	Black
609-1312-120F	Yellow	6	15	90	Protruding	1	Chrome
609-1322-120F	Yellow	6	15	90	Protruding	1	Black
609-1112-130F	Red	12	15	60	Protruding	1	Chrome
609-1122-130F	Red	12	15	60	Protruding	1	Black
609-1212-130F	Green	12	15	110	Protruding	1	Chrome
609-1222-130F	Green	12	15	110	Protruding	1	Black
609-1312-130F	Yellow	12	15	90	Protruding	1	Chrome
609-1322-130F	Yellow	12	15	90	Protruding	1	Black
609-1112-140F	Red	24	15	60	Protruding	1	Chrome
609-1122-140F	Red	24	15	60	Protruding	1	Black
609-1212-140F	Green	24	15	110	Protruding	1	Chrome
609-1222-140F	Green	24	15	110	Protruding	1	Black
609-1312-140F	Yellow	24	15	90	Protruding	1	Chrome
609-1322-140F	Yellow	24	15	90	Protruding	1	Black
609-2112-120F	Red	6	15	60	Recessed	2	Chrome
609-2122-120F	Red	6	15	60	Recessed	2	Black
609-2212-120F	Green	6	15	110	Recessed	2	Chrome
609-2222-120F	Green	6	15	110	Recessed	2	Black
609-2312-120F	Yellow	6	15	90	Recessed	2	Chrome
609-2322-120F	Yellow	6	15	90	Recessed	2	Black
609-2112-130F	Red	12	15	60	Recessed	2	Chrome
609-2122-130F	Red	12	15	60	Recessed	2	Black
609-2212-130F	Green	12	15	110	Recessed	2	Chrome
609-2222-130F	Green	12	15	110	Recessed	2	Black
609-2312-130F	Yellow	12	15	90	Recessed	2	Chrome
609-2322-130F	Yellow	12	15	90	Recessed	2	Black
609-2112-140F	Red	24	15	60	Recessed	2	Chrome
609-2122-140F	Red	24	15	60	Recessed	2	Black
609-2212-140F	Green	24	15	110	Recessed	2	Chrome
609-2222-140F	Green	24	15	110	Recessed	2	Black
609-2312-140F	Yellow	24	15	90	Recessed	2	Chrome
609-2322-140F	Yellow	24	15	90	Recessed	2	Black

610 SERIES (FOR 10MM MOUNTING HOLE)



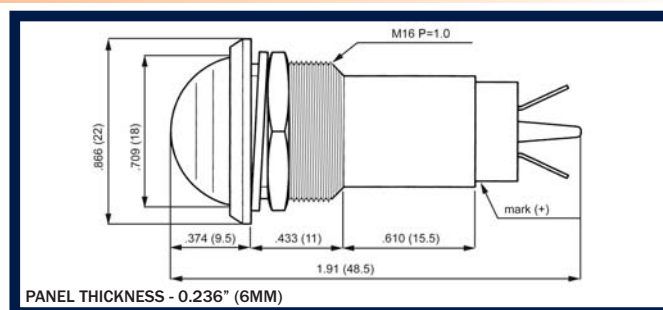
DIALIGHT P/N	EMITTED COLOR	VOLTAGE (VDC)	CURRENT (mA)	TYP. INTENSITY (mcd)	LENS SHAPE	HOUSING	FIGURE
610-3132-120F	Red	6	15	60	Round	Polycarbonate	1
610-3232-120F	Green	6	15	110	Round	Polycarbonate	1
610-3332-120F	Yellow	6	15	90	Round	Polycarbonate	1
610-4132-120F	Red	6	15	60	Square	Polycarbonate	2
610-4232-120F	Green	6	15	110	Square	Polycarbonate	2
610-4332-120F	Yellow	6	15	90	Square	Polycarbonate	2

612 SERIES (FOR 12MM MOUNTING HOLE)



DIALIGHT P/N	EMITTED COLOR	VOLTAGE (VDC)	CURRENT (mA)	TYP. INTENSITY (mcd)
612-3132-120F	Red	6	15	60
612-3232-120F	Green	6	15	110
612-3332-120F	Yellow	6	15	90
612-3132-130F	Red	12	15	60
612-3232-130F	Green	12	15	110
612-3332-130F	Yellow	12	15	90
612-3132-140F	Red	24	15	60
612-3232-140F	Green	24	15	110
612-3332-140F	Yellow	24	15	90

616 SERIES (FOR 16MM MOUNTING HOLE)



DIALIGHT P/N	EMITTED COLOR	VOLTAGE (VDC)	CURRENT (mA)	TYP. INTENSITY (mcd)
616-1132-120F	Red	6	15	60
616-1232-120F	Green	6	15	110
616-1332-120F	Yellow	6	15	90
616-1132-130F	Red	12	15	60
616-1232-130F	Green	12	15	110
616-1332-130F	Yellow	12	15	90
616-1132-140F	Red	24	15	60
616-1232-140F	Green	24	15	110
616-1332-140F	Yellow	24	15	90

Dialight

*Dialight Corporate Office
1501 Rt 34 South
Farmingdale, NJ 07727 USA
Tel: +1.732.919.3119
Fax: +1.732.751.5778
Email: info@dialight.com*



www.dialight.com

PRELIMINARY

Dialight reserves the right to make changes at any time in order to supply the best product possible.
Contact us directly for the latest information.

© 2007 Dialight Corp. All Rights Reserved
600 Series Brochure Ver 1