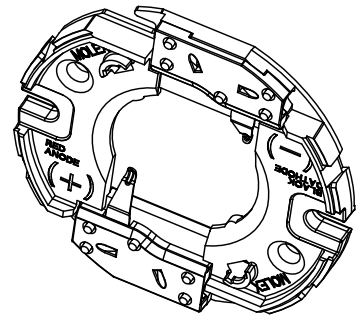
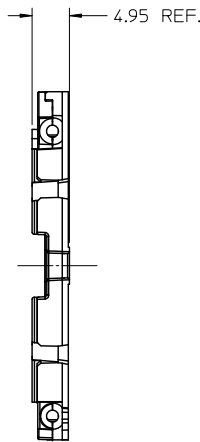
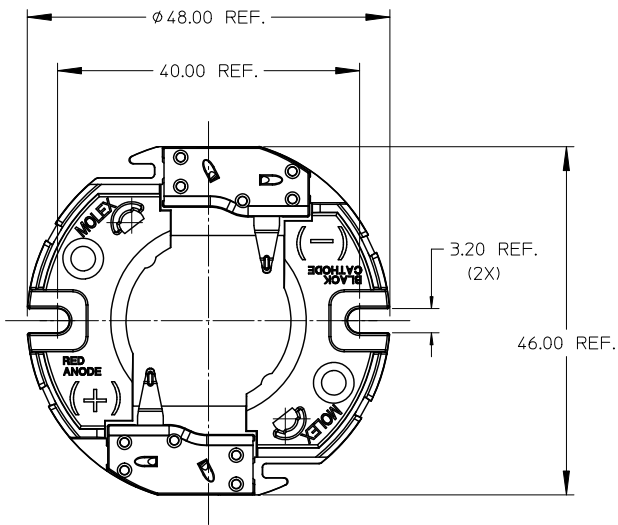
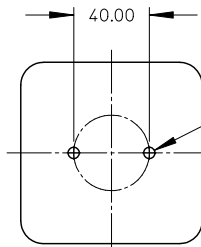


PART NUMBER	DESCRIPTION	SEE SHEET
180220-0000	HOLDER WITHOUT LENS	3
180220-0001	HOLDER WITH LENS	3
180222-0000	COVER LENS ONLY	3



NOTES:

- 1) MATERIALS:
 - a. CAPS: NATURAL COLOR PA66 NYLON 25% GF UL94V-0
 - b. HOUSING: NATURAL COLOR PA66 NYLON 25% GF UL94V-0
 - c. COVER LENS: CLEAR POLYCARBONATE UL94HB
- 2) WIRE TRAP TERMINALS: COPPER ALLOY
 - a. FINISH: GOLD OVER NICKEL
- 3) THIS PRODUCT IS ELV AND ROHS COMPLIANT
- 4) APPLICABLE WIRE GAUGE - 18 OR 20 AWG
 - a. SOLID WIRE IS RECOMMENDED
 - b. IF STRANDED WIRE IS USED, PRE-TINNED IS RECOMMENDED
 - c. 1 cm STRIP LENGTH IS RECOMMENDED
- 5) MOUNT HOLDER USING M3 OR 4-40 SCREWS (2), 0.8 NEWTON METERS MAX TORQUE
- 6) UL RECOGNIZED TO UL496
 - c-UL RECOGNIZED TO CSA-C22.2 NO. 43 (2008)
 - RATED 600V
 - UL FILE NUMBER: E345583

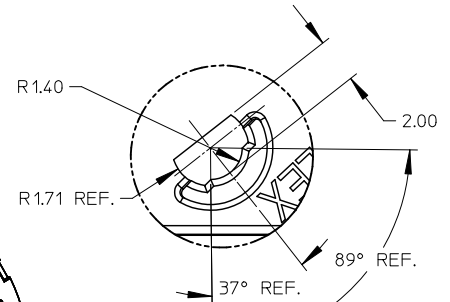
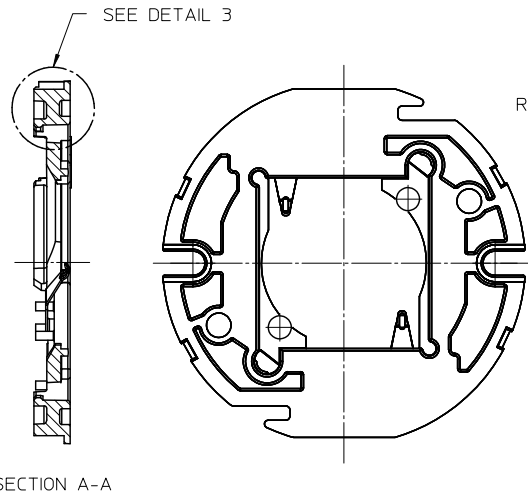
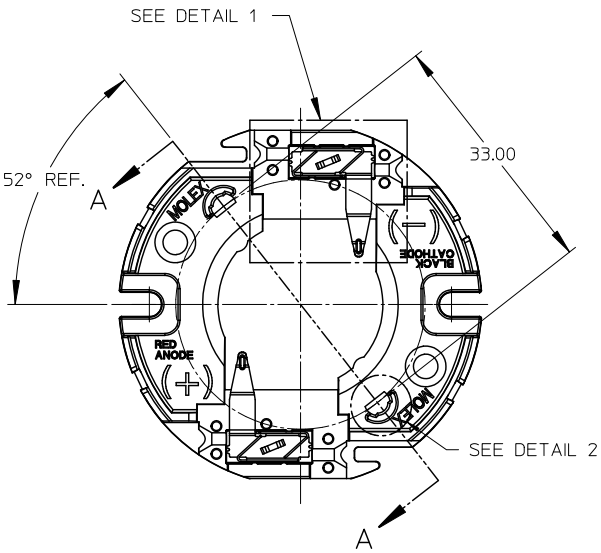


M3 OR 4-40 TAPPED HOLES (2)
TORQUE SCREWS 0.8 NEWTON METERS MAX

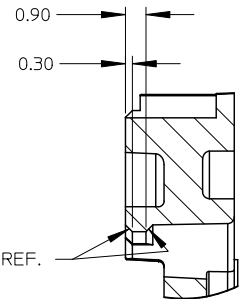
RECOMMENDED MOUNTING DIMENSIONS (NTS)

ENTER DESCRIPTION EC NO: SSL2011-0083 DRAWN BY: JAKLIC CHKD: DMCGOWAN APPR: DMCGOWAN DATE: 2011/05/18 2011/05/25	QUALITY SYMBOLS =0 =0 =0	GENERAL TOLERANCES (UNLESS SPECIFIED)		DIMENSION STYLE MM ONLY		SCALE 2:1	DESIGN UNITS METRIC	THIRD ANGLE PROJECTION		
		4 PLACES ± --- ± --- 3 PLACES ± --- ± --- 2 PLACES ± 0.13 ± --- 1 PLACE ± 0.25 ± --- ANGULAR ± 1/2°	mm INCH	DRAWN BY FJAKLIC	DATE 2011/01/26	TITLE CREE CXA20 LED HOLDER		MOLEX INCORPORATED		
REV D	DESCRIPTION ENTER DESCRIPTION EC NO: SSL2011-0083 DRAWN BY: JAKLIC CHKD: DMCGOWAN APPR: DMCGOWAN DATE: 2011/05/18 2011/05/25	DRAFT WHERE APPLICABLE MUST REMAIN WITHIN DIMENSIONS		APPROVED BY DMCGOWAN		DATE 2011/02/18	MATERIAL NO. SEE CHART		DOCUMENT NO. SD-180220-001	SHEET NO. 1 OF 3
		SIZE B		THIS DRAWING CONTAINS INFORMATION THAT IS PROPRIETARY TO MOLEX INCORPORATED AND SHOULD NOT BE USED WITHOUT WRITTEN PERMISSION						

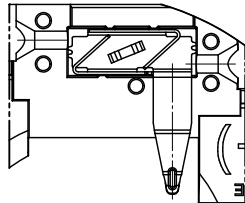
WIRE TRAP CAPS ARE REMOVED FROM FRONT VIEW FOR CLARITY



DETAIL 2 SCALE 6:1



LENS TO HOLDER SNAP FIT DETAIL
DETAIL 3 SCALE 6:1

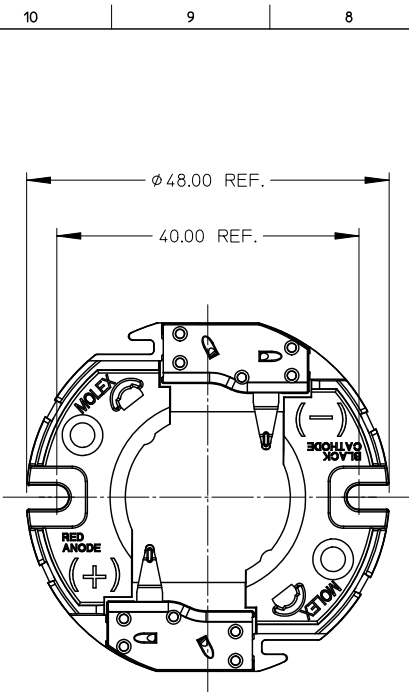


VIEW OF TWO-WAY WIRE TRAP

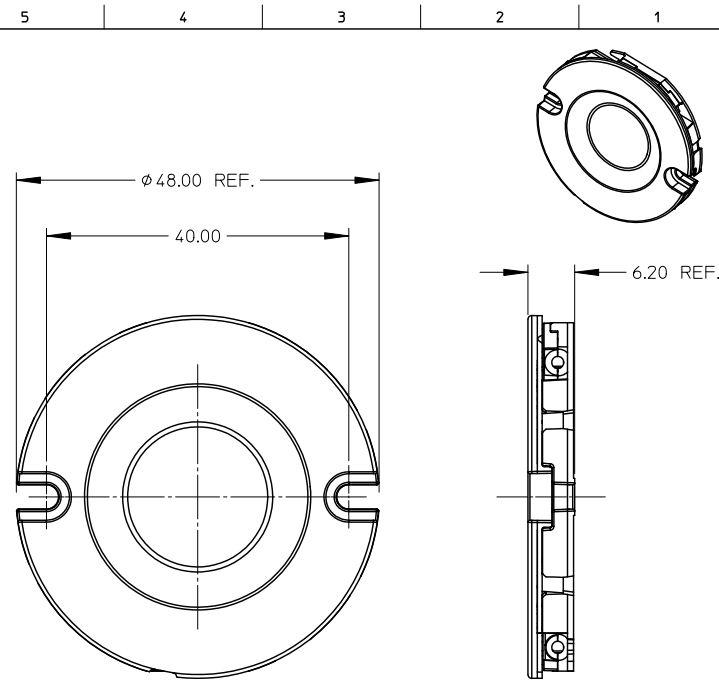
WIRE TRAPS WILL ACCOMODATE
EITHER 18 OR 20 GAUGE WIRE

DETAIL 1 SCALE 3:1

ENTER DESCRIPTION EC NO: SSL2011-0083 DRAWN: FJAKLIC CHKD: CHYKO APPR: DMCGOWAN DATE: 2011/05/18 2011/05/25	QUALITY SYMBOLS ∇=0 ∇=0 ∇=0	GENERAL TOLERANCES (UNLESS SPECIFIED)		DIMENSION STYLE MM ONLY	SCALE 2:1	DESIGN UNITS METRIC	THIRD ANGLE PROJECTION		
		4 PLACES ± --- ± ---	3 PLACES ± --- ± ---	2 PLACES ± 0.13 ± ---	1 PLACE ± 0.25 ± ---	DRAWN BY FJAKLIC	DATE 2011/01/26	TITLE CREE CXA20 LED HOLDER	
		ANGULAR ± 1/2°		DRAFT WHERE APPLICABLE MUST REMAIN WITHIN DIMENSIONS		CHECKED BY DATE	APPROVED BY DMCGOWAN	DATE 2011/02/18	MOLEX MOLEX INCORPORATED
		MATERIAL NO. SEE CHART		DOCUMENT NO. SD-180220-001		SHEET NO. 2 OF 3		THIS DRAWING CONTAINS INFORMATION THAT IS PROPRIETARY TO MOLEX INCORPORATED AND SHOULD NOT BE USED WITHOUT WRITTEN PERMISSION	



LED HOLDER PART NUMBER 180220-0000



LED HOLDER SHOWN WITH OPTIONAL CLEAR COVER LENS
MOLEX INDIVIDUAL COVER LENS PART NUMBER IS 180222-0000

ENTER DESCRIPTION EC NO: SSL2011-0083 DRAWN: FJAKLIC 2011/05/18 CHKD: DMCGOWAN APPR: DMCGOWAN 2011/05/25 REV:	QUALITY SYMBOLS	GENERAL TOLERANCES (UNLESS SPECIFIED)	DIMENSION STYLE MM ONLY	SCALE 2:1	DESIGN UNITS METRIC	THIRD ANGLE PROJECTION
	▽=0	mm INCH	DRAWN BY FJAKLIC	DATE 2011/01/26	TITLE CREE CXA20 LED HOLDER	
	▽=0	4 PLACES ± --- ± ---	CHECKED BY	DATE	MATERIAL NO.	
	▽=0	3 PLACES ± --- ± ---	APPROVED BY DMCGOWAN	DATE 2011/02/18	DOCUMENT NO. SD-180220-001	SHEET NO. 3 OF 3
		2 PLACES ± 0.13 ± ---	SEE CHART			
		1 PLACE ± 0.25 ± ---	THIS DRAWING CONTAINS INFORMATION THAT IS PROPRIETARY TO MOLEX INCORPORATED AND SHOULD NOT BE USED WITHOUT WRITTEN PERMISSION			
		ANGULAR ± 1/2°				
		DRAFT WHERE APPLICABLE MUST REMAIN WITHIN DIMENSIONS				