



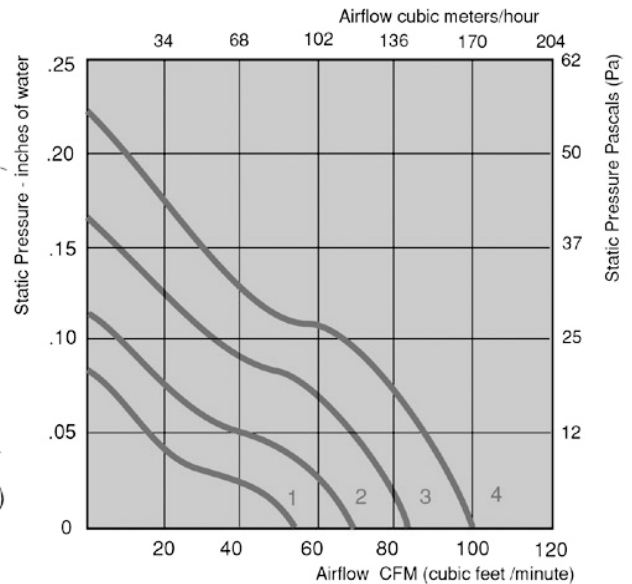
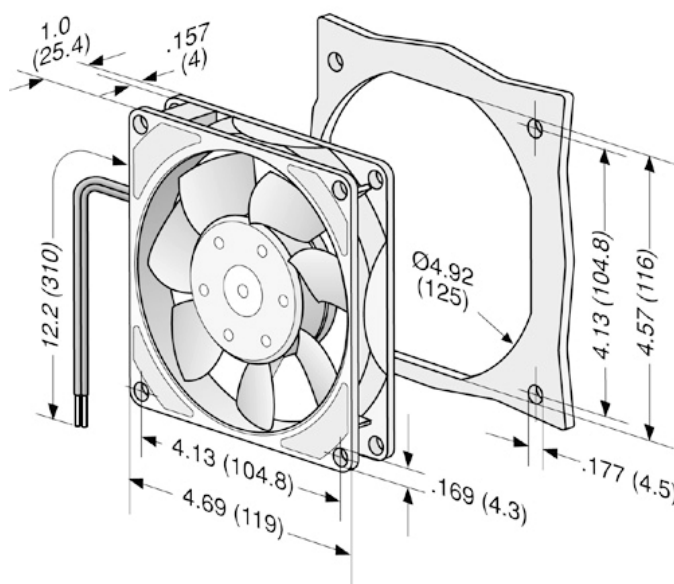
4400F Series

Tubeaxial

119x119x25mm

- DC fans with electronically commutated external rotor motor. Fully integrated commutation electronics.
- With electronic protection against reverse polarity, blocking and overloading by PTC-resistor partially impedance protected.
- Mounting from either face using four 4.3 mm holes.
- Fan of fiberglass reinforced plastic. PBTP housing, PA impeller.
- Air exhaust over struts. Rotational direction CCW looking at rotor.
- Electrical connection via 2 leads AWG 22, TR 64. Stripped and tinned ends.
- UL, CSA, VDE approvals on some models, please contact application engineering.

Part Number	CFM Curve @ 0	Volts	Voltage Range	Power (W)	dBA	Max Ambient Temp C	Wgt. (lbs)	Type Of Bearing	Features
4412FGL	55	1	12	7 to 14	1.3	26	0.38	Sintec	Leads
4412FGML	67	2	12	7 to 14	2.0	32	0.38	Sintec	Leads
4412FM	82	3	12	7 to 14	3.2	38	0.38	Ball	Leads
4412FMD	82	3	12	7 to 14	3.2	38	0.38	Ball	Leads Ribs
4482FM	82	3	12	7 to 14	3.2	38	0.38	Ball	Terminals
4482FMD	82	3	12	7 to 14	3.2	38	0.38	Ball	Terminals Ribs
4414FM	82	3	24	12 to 28	3.2	38	0.38	Ball	Leads
4414FMD	82	3	24	12 to 28	3.2	38	0.38	Ball	Leads Ribs
4484FM	82	3	24	12 to 28	3.2	38	0.38	Ball	Terminals
4484FMD	82	3	24	12 to 28	3.2	38	0.38	Ball	Terminals Ribs
4418F	100	4	48	28 to 53	6.5	43	0.38	Ball	Leads
4414F	100	4	24	12 to 28	5.0	43	0.38	Ball	Leads
4414FD	100	4	24	12 to 28	5.0	43	0.38	Ball	Leads Ribs
4484F	100	4	24	12 to 28	5.0	43	0.38	Ball	Terminals
4484FD	100	4	24	12 to 28	5.0	43	0.38	Ball	Terminals Ribs



e-mail: sales@ebm.com • TEL: 860-674-1515 • FAX: 860-674-8536
 ebm Industries, Inc., 100 Hyde Road, Farmington, CT 06034 USA

ebm Industries, Inc., 2003 © ebm Industries, Inc. reserves the right to change any specifications or data without notice