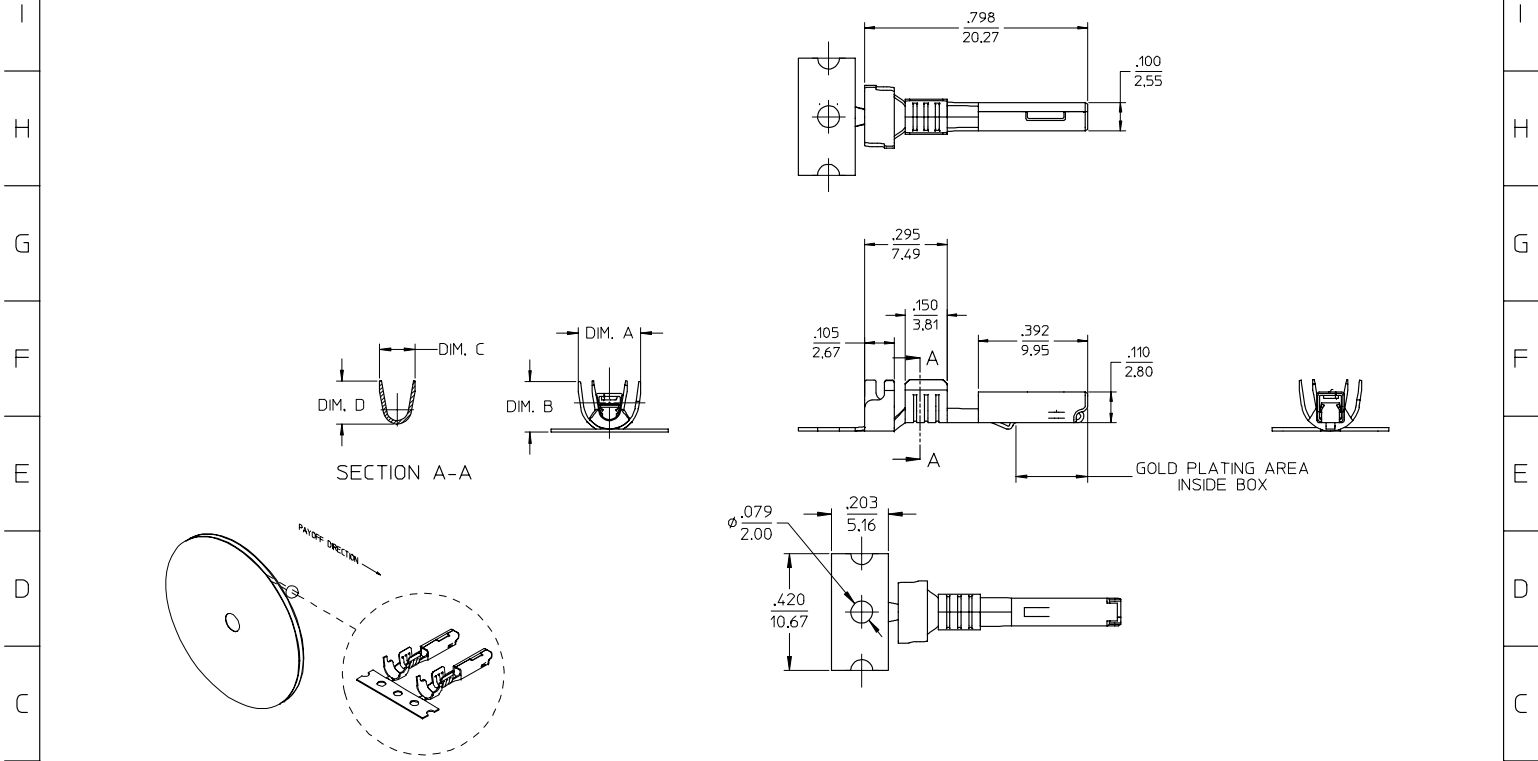


12 11 10 9 8 7 6 5 4 3 2 19420

STRIP MATERIAL NUMBER	LOOSE PIECE MATERIAL NUMBER	AWG SIZE	PLATING	DIM. "A" (2)	DIM. "B" (2)	DIM. "C" (2)	DIM. "D" (2)
194200001	194200009	16-14	PREPLATED TIN 75µ MIN THICK OVER NICKEL FLASH	.223/5.66	.182/4.62	.141/3.58	.155/3.94
194200002	194200010	22-18	PREPLATED TIN 75µ MIN THICK OVER NICKEL FLASH	.181/4.60	.143/3.63	.098/2.50	.106/2.70
194200003	194200011	16-14	SELECT GOLD 30µ MIN. THICK OVER NICKEL 50µ MIN. THICK OVER PREPLATED TIN 75µ MIN THICK OVER NICKEL FLASH	.223/5.66	.182/4.62	.141/3.58	.155/3.94
194200004	194200012	22-18	SELECT GOLD 30µ MIN. THICK OVER NICKEL 50µ MIN. THICK OVER PREPLATED TIN 75µ MIN THICK OVER NICKEL FLASH	.181/4.60	.143/3.63	.098/2.50	.106/2.70



- NOTES:
1. MATERIAL: COPPER ALLOY .0098/0.249 THK.
 2. FINISH: SEE CHART.
 3. TERMINALS FOR USE WITH 19418-**** RECEPTACLE HOUSING ASSEMBLY.
 4. STRIP TERMINALS ARE REELED AS SHOWN ABOVE ON 24" REELS. 4000 PARTS PER REEL.
 5. LOOSE TERMINALS ARE BULK PACKAGED IN QUANTITIES OF 400.
 6. APPLICATION TOOLING AND CRIMP SPECIFICATIONS: 63865-6200 (14-16 AWG), 63865-6300 (14-16 AWG), 63811-4000 (HAND TOOL).

EC NO: ETC2004-0004 DRAWN: JPAWLICK 2003/08/01 CHKD: JPAWLICK 2003/08/01 APPR: RDEROSS 2003/08/01	QUALITY SYMBOLS	GENERAL TOLERANCES (UNLESS SPECIFIED)	SCALE 4:1	DESIGN UNITS INCH	THIRD ANGLE PROJECTION	REVISE ON CAD ONLY
	4 PLACES ± .05 3 PLACES ± .010 2 PLACES ± 0.25 1 PLACE ± 0.5 ANGULAR ± 3°	mm INCH ± .010 ± .02 ± .05	DIMENSION STYLE IN/MM DRAWN BY JPAWLICK DATE 05/05/03 CHECKED BY JPAWLICK DATE 05/05/03 APPROVED BY RDEROSS DATE 05/05/03	TITLE	FEMALE RECEPTACLE TERMINAL, 22-18 & 16-14 AWG, .059/1.50X.031/0.79	MATERIAL NO. SEE CHART
		DRAFT WHERE APPLICABLE MUST REMAIN WITHIN DIMENSIONS	THIS DRAWING CONTAINS INFORMATION THAT IS PROPRIETARY TO MOLEX INCORPORATED AND SHOULD NOT BE USED WITHOUT WRITTEN PERMISSION			

11 10 9 8 7 6 5 4 3 2 1