

I/O Link Module

C200HW-DRT21

I/O Link Module is ideal for distributed control.

PLC can be used as an Intelligent Slave on the DeviceNet.

- Intelligent Slave for DeviceNet
- Supports I/O and message communications.
Maximum I/O area size:
512 input points (32 words)
512 output points (32 words)
- Programming Console or Configurator freely allocates I/O areas.



Ordering Information

Name	Model
I/O Link Module (for SYSMAC C200HX/HG/HE)	C200HW-DRT21

Specifications

■ Ratings/Characteristics

General Specifications

Item	Specification
Communications power supply voltage	11 to 25 VDC (supplied from the communications connector)
Current consumption	Communications power supply: 45 mA max. at 24 VDC Internal circuit power supply: 250 mA max. at 5 VDC
No. of connectable Units	10 (C200HX/HG/HE CPU handles up to 880 I/O points)
	16 (C200HX/HG/HE CPU handles more than 880 I/O points)
Weight	250 g max.

I/O Communications

Item	Specification
Max. number of I/O points	512 input points (32 words) 512 output points (32 words)
Default area	Write area (linking with Master's write area): 1 word out of 350 IR words Read area (linking with Master's read area): 1 word out of 50 IR words
Performance	I/O exchange time: 36 to 90 ms between the Master and Slave provided that the numbers of input and output points exchanged are both 512

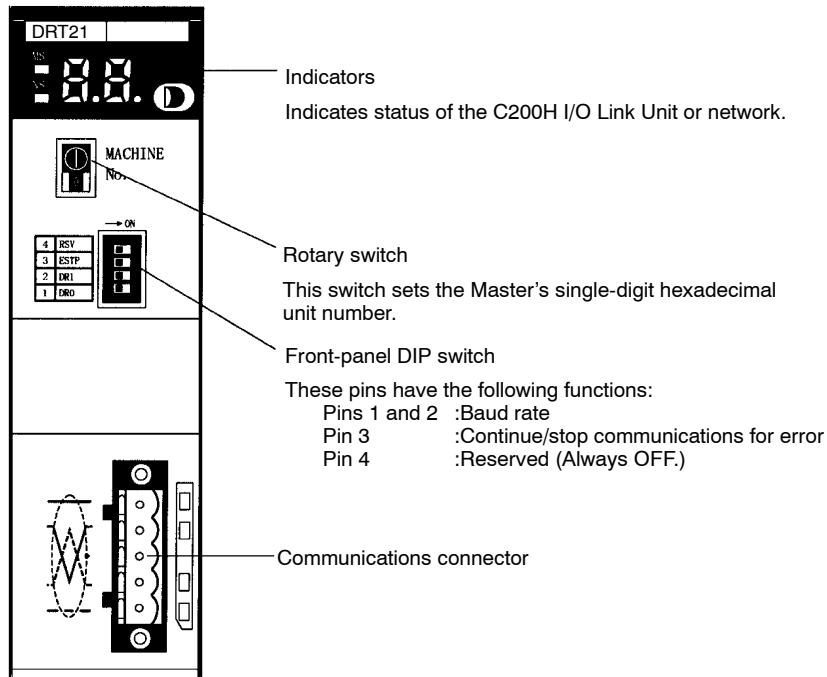
Settings (Slave)

Item	Specification	
Function	A write area block and a read area block can be freely allocated to any areas or addresses respectively	
Allowable setting area	Both read and write areas can be allocated to IR, DM, HR, AR, LR, T/C, and EM areas	
First address	A readable or writable area by word (with some restrictions)	
Area size	Set in 1-byte increments up to 64 bytes for both read and write areas	
Setting method	Configurator	Refer to the <i>DeviceNet Configurator Operation Manual (W328)</i> .
	Programming Console	<ol style="list-style-type: none"> Write the set value to I/O setting area allocated to the Special I/O Area. Turn ON the software switch allocated to the Special I/O Area and write the settings. Turn the Programming Console OFF and ON or reset the AR area.

Message Communications

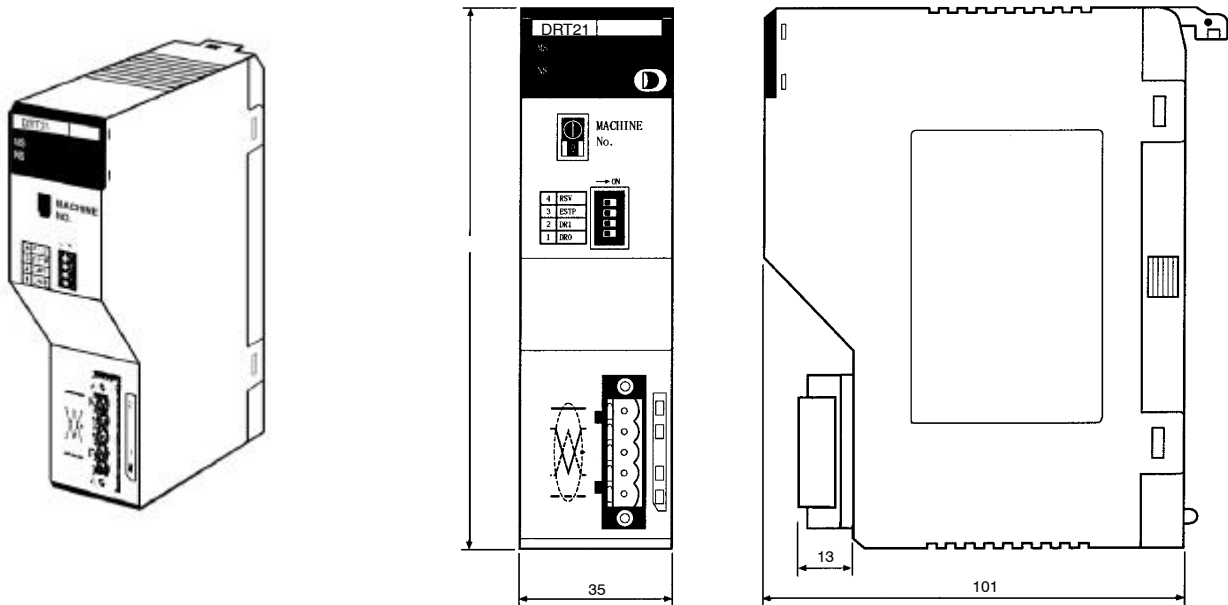
Item	Specification
Function	Supports messages that can be written to or read from the C200HX/HG/HE's user I/O areas (i.e., IR, DM, HR, AR, LR, T/C, and EM areas)
Master	OMRON's Master or compatible unit from Rockwell
Max. message size	Slave (C200HW-DRT21) 200 bytes per READ or WRITE command
	Master CVM1: 158 bytes max. C200HX/HG/HE: 158 bytes max.
Performance	Response time: 193 to 224 ms between the Master and Slave when reading 100-byte data on provided that the numbers of input and output points exchanged are both 512

Nomenclature



Dimensions

Note: All units are in millimeters unless otherwise indicated.



Refer to the PLC's Installation Guide for the dimensions of the Module when it is mounted to the Back-plane. (All dimensions are in mm.)

NOTE: DIMENSIONS SHOWN ARE IN MILLIMETERS. To convert millimeters to inches divide by 25.4.

OMRON[®]
OMRON ELECTRONICS, INC.
 One East Commerce Drive
 Schaumburg, IL 60173
1-800-55-OMRON

OMRON CANADA, INC.
 885 Milner Avenue
 Scarborough, Ontario M1B 5V8
416-286-6465