

OMRON



Flat Cable Connector DCN4-□□4D

Flat cables available for DeviceNet!
Approved by ODVA.

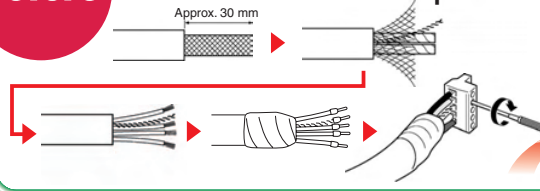


Click

Easy connection.

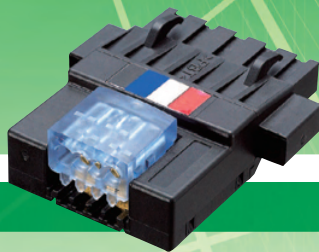
before

The inconvenient former process.



Now operational **30x faster** than before.

- A screwless construction for a cable with fewer problems.



DCN4-SF4D



DCN4-TP4D



DCN4-BR4D

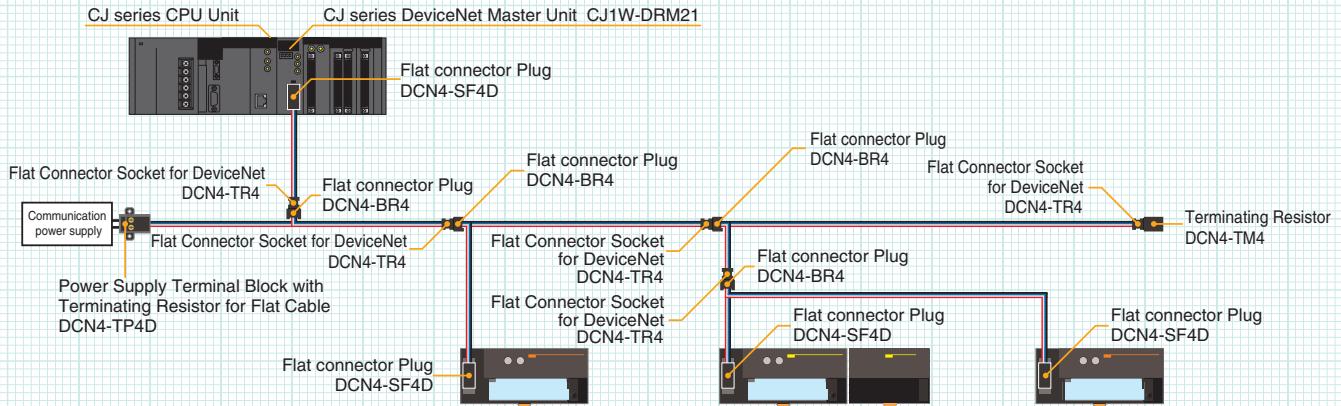


DCN4-BR4

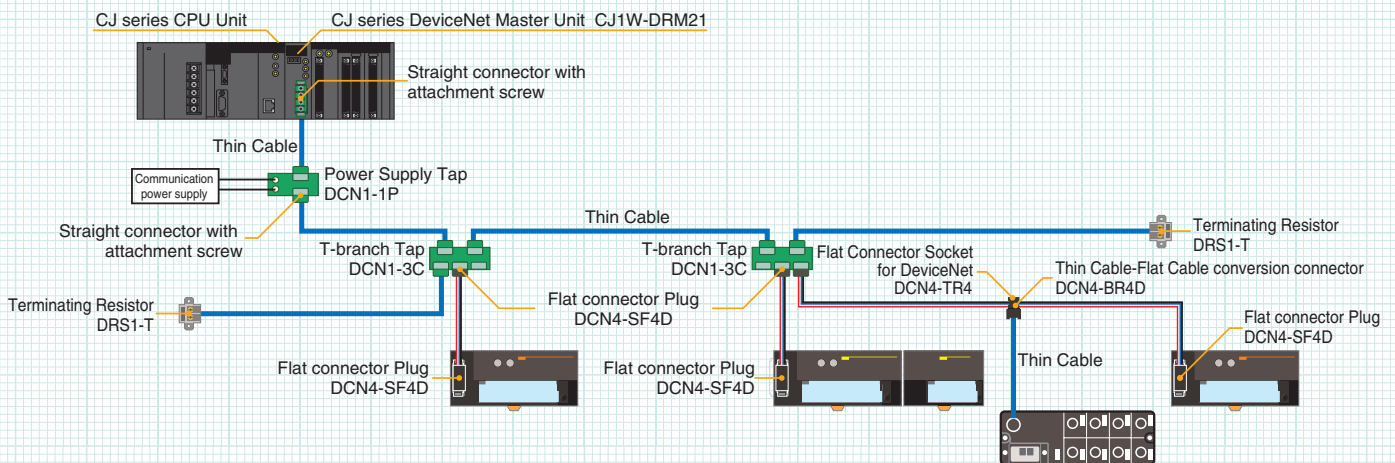


DCN4-TM4

System Configuration Diagram for All Flat Cables



System Configuration Diagram for Mixed Cables



Ordering Guide

* DeviceNet is a registered trademark of ODVA.

Product Name	Type
Flat Cable Connector	DCN4-SF4D
Flat connector Plug	DCN4-BR4
Thin Cable-Flat Cable conversion connector	DCN4-BR4D
Power Supply Terminal Block with Terminating Resistor for Flat Cable	DCN4-TP4D
Terminating Resistor	DCN4-TM4
Flat Cable (100m)	DCA4-4F10
Special Tool for Flat Cable	DWT-A01
* Delivered in units of 10 pcs. Please place your order in units of 10 pcs.	



OMRON ELECTRONICS LLC • THE AMERICAS HEADQUARTERS • Schaumburg, IL USA • 847.843.7900 • 800.556.6766 • www.omron247.com

OMRON CANADA, INC. • HEAD OFFICE
Toronto, ON, Canada • 416.286.6465 • 866.986.6766 • www.omron.ca

OMRON ELETRÔNICA DO BRASIL LTDA • HEAD OFFICE
São Paulo, SP, Brasil • 55.11.2101.6300 • www.omron.com.br

OMRON ELECTRONICS MEXICO SA DE CV • HEAD OFFICE
Apodaca, N.L. • 52.811.156.99.10 • mela@omron.com