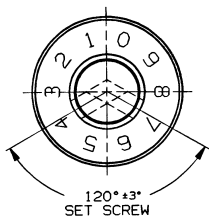


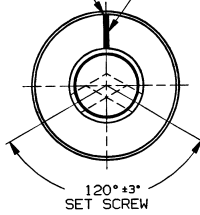
CONVERSION CHART	
INCH	MM
.003	0.08
.004	0.10
.008	0.20
.012	0.30
.015	0.38
.02	0.5
.020	0.51
.157	3.98
.059	1.50
.126	3.20
.157	3.99
.158	4.01
.630	16.00
.236	5.99
.251	6.38
.314	7.98
.393	9.98
.433	11.00
.500	12.7
.631	16.03
2.520	57.15
.708	17.98
.826	20.98
.950	24.13
1.000	25.4



KBS-500-10

DIE STAMPED FILLED WITH LACQUER

INDICATOR LINE .031W X .012D SEE NOTE 2



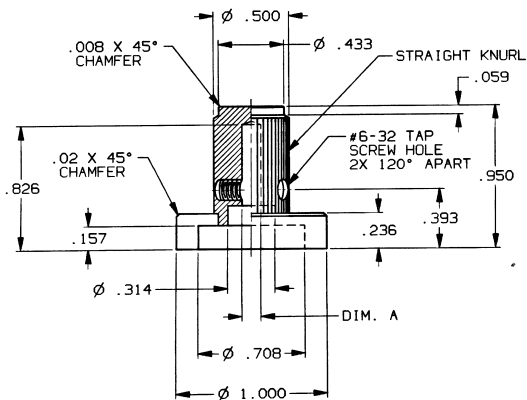
KBS-500

**SPECIFICATIONS:**

MATERIALS:  
MATERIAL: ALUMINUM.  
FINISH: SEE NOTE 2.

**NOTES:**

1. INTERPRET DRAWING PER ASME Y14.5M-1994.
2. FINISH ADD SUFFIX "A" TO MODEL NO. FOR NATURAL ALUMINUM BODY WITH BLACK INDICATOR LINE. ADD SUFFIX "B" TO MODEL NO. FOR BLACK ANODIZED BODY WITH WHITE INDICATOR LINE.



SHAFT HOLE DIA. DIM. A	
1/4	.251 <sup>.003</sup> .000
1/8	.126 <sup>.003</sup> .000

**OUTLINE DRAWING**  
SPECIFICATIONS ARE SUBJECT TO CHANGES WITHOUT NOTICE

<p>THIRD ANGLE PROJECTION</p>	UNLESS OTHERWISE SPECIFIED DIMENSIONS ARE IN INCHES DO NOT SCALE PRINT	ORIGINAL DATE OF DRAWING: 11-15-95	
	FILE NAME: 80248OUT	DIRECTORY: KNOBS	DRAWN: S. KIRCORIAN
<p>TOLERANCES (EXCEPT AS NOTED)</p> <p>ANGULAR = ±3°</p> <p>DECIMAL .XX = ±</p> <p>DECIMAL .XXX = ±.015</p> <p>DECIMAL .XXXX = ±</p>	MATERIAL: SEE SPECIFICATIONS	CHECKED: DATE:	
<p>AUGAT CONFIDENTIAL</p> <p>This document contains information which is the exclusive property of Augat Inc.</p> <p>Distribution, reproduction or use by others is not permitted without the expressed written consent of Augat Inc.</p>	FINISH: SEE SPECIFICATIONS	APPROVED: <i>S. Kircorian</i> DATE: 11-15-95	
		CODE IDENT. NO. 91506	DWG. SIZE C
		NEXT ASSY:	

THIS IS A C.A.D. GENERATED DRAWING. DO NOT MAKE MANUAL REVISIONS TO MASTER.

**AUGAT** INC.  
405 JOHN DIETSON BLVD.  
ATLEBORO FALLS, MASS. 02763

TITLE: **OUTLINE DRAWING**  
KNOB  
(KBS-500)

DWG. NO. 80248-SD

PRODUCT CODE: H11

SCALE: 2:1

SHEET 1 OF 1

REV	INITIALS	DATE
0		11-15-95

REVISIONS

INITIALS RELEASE

SEK 11-15-95

APP. D. 11-15-95

Property of Data Electronics Corporation May 2000  
CUSTOMER 8960 4-1437621-1 REV. 99 PG 1 OF 1