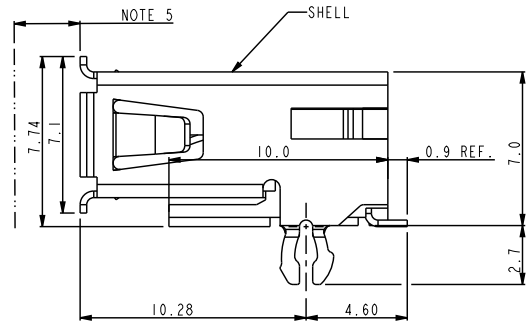
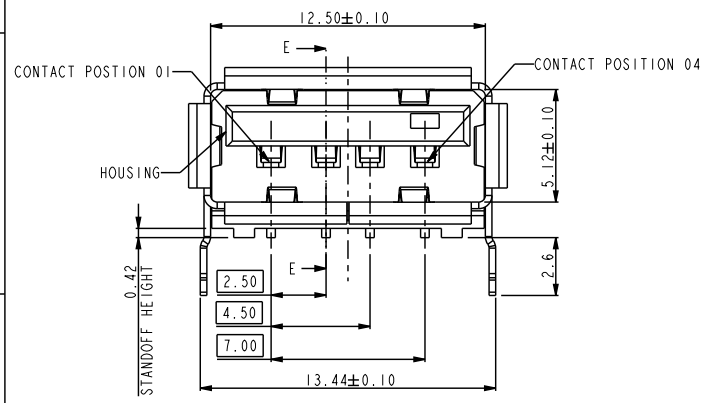


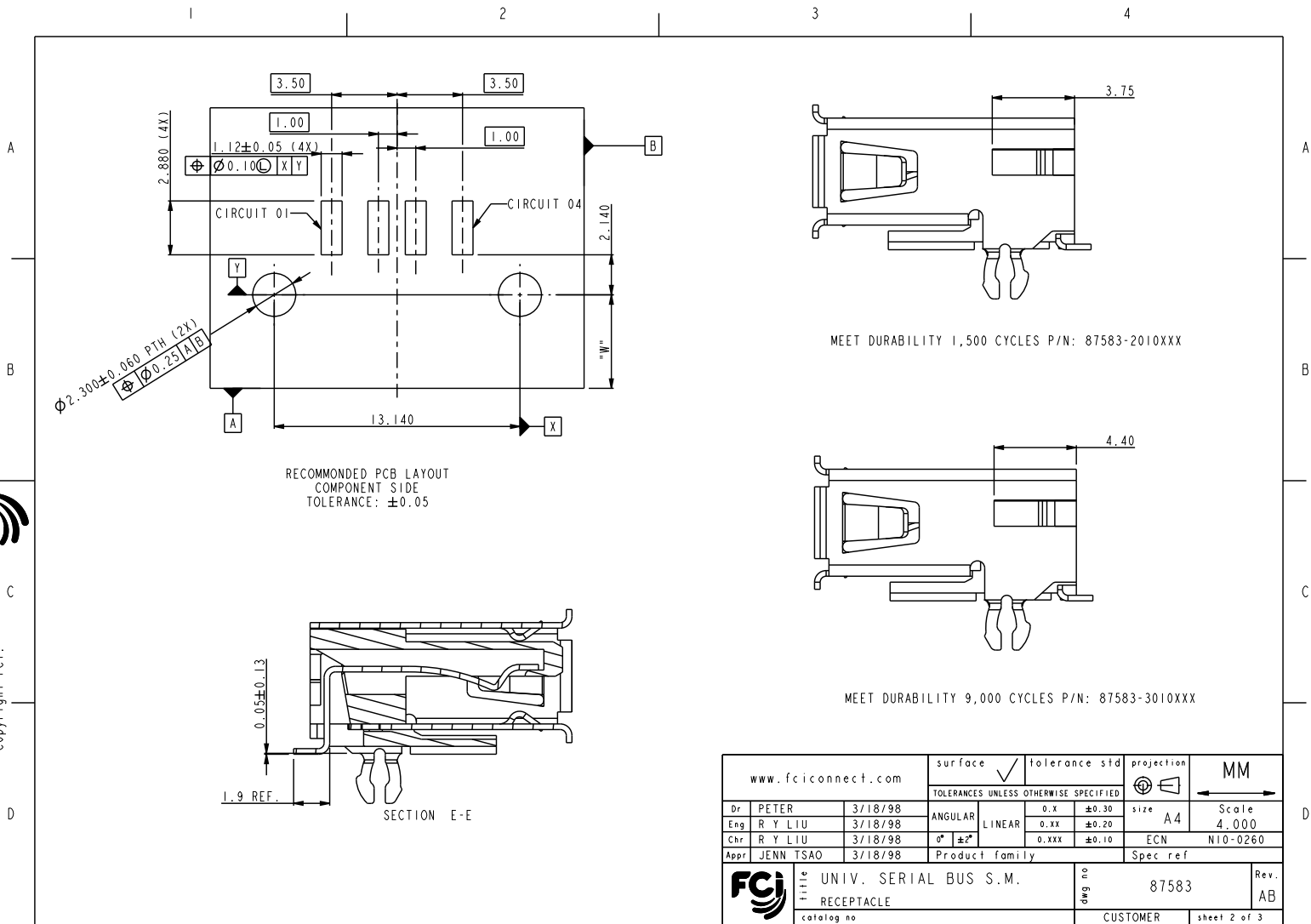
- NOTES:
1. MATERIAL:
TERMINAL: COPPER ALLOY
SHELL: COPPER ALLOY
HOUSING: THERMOPLASTIC, UL94 V-0;
 2. PLATING: SEE PART NUMBER CODE;
 3. DATUM AND BASIC DIMENSIONS ESTABLISHED BY CUTOMER;
 4. RECOMMENDED PCB THICKNESS IS 1.57MM;
 5. 2.67MM MAXIMUM PANEL THICKNESS IF MOUNTED BEHIND PANEL;
 6. PRODUCT SPECIFICATION: GS-12-095;
 7. PACKAGE SPECIFICATION: GS-14-393;
 8. COMPLIED WITH USB 2.0 AND TID NUMBER 60000205;
 9. 87583-3010XXX DURABILITY MEET USB 2.0 1,500 CYCLES,
AND THE OTHER PART MEET USB 2.0 1,500 CYCLES;
(TO BE CONTINUED ON PAGE 3)



www.fciconnect.com		surface	tolerance std	projection	MM
		ANGULAR	0.x ±0.30	Ⓢ	Scale 4.000
		LINEAR	0.xx ±0.20	A4	ECN N10-0260
		0° ±*	0.xxx ±0.10		Spec ref
Dr	PETER	3/18/98			
Eng	R Y LIU	3/18/98			
Chr	R Y LIU	3/18/98			
Appr	JENN TSAO	3/18/98	Product family		
FCJ		UNIV. SERIAL BUS S.M.		eng no	87583
RECEPTACLE		Rev.		AB	
catalog no		CUSTOMER		sheet 1 of 3	

rev	ecn no	dr	date
W	N07-0304	R.B	12/31/2007
X	N08-0162	R.B	08/06/2008
Y	N08-0238	R.B	11/03/2008
AA	N09-0356	R.B	11/05/2009
AB	N10-0260	K.W	08/17/2010
V	N07-0050	WS	02/13/2007

FCJ
Copyright FCI.



www.fciconnect.com		surface <input checked="" type="checkbox"/>	tolerance std	projection	MM
TOLERANCES UNLESS OTHERWISE SPECIFIED					
Dr	PETER	3/18/98	ANGULAR	LINEAR	size A4 Scale 4.000
Eng	R Y LIU	3/18/98	0°.xx	±0.30	ECN N10-0260
Chr	R Y LIU	3/18/98	0°.xxx	±0.20	Product family
Appr	JENN TSAO	3/18/98	0°.xxx	±0.10	Spec ref
FCJ		UNIV. SERIAL BUS S.M.		eng no	87583
RECEPTACLE		catalog no		CUSTOMER	sheet 2 of 3

PDM: Rev:AB STATUS:Released⁴ Printed: Aug 21, 2010



Copyright FCJ.

REV F - 2004-04-07

PRODUCT NUMBER CODE

87583 - X X X X X P X LF

- BASE PRODUCT NUMBER
- HOUSING COLOR OPTIONS
 - 0 - WHITE+TIN OVER NICKLE UNDERPLATE
 - 1 - BLACK+TIN OVER NICKLE UNDERPLATE
 - 2 - WHITE+SHELL Ni PLATING ONLY
 - 3 - BLACK+SHELL Ni PLATING ONLY
 - S - BLACK+SHELL Ni PLATING ONLY (SPECIAL MATERIAL FOR 12,000 DURABILITY CYCLES)
- SHELL OPTION
 - 0 - NO BACK SHIELD
- MOUNTING HOLE OPTIONS
 - 1 - NONE
- TERMINAL PLATING OPTION
 - 0 - 50u" Ni UNDERPLATE
 - 30u" GXT CONTACT AREA
 - 100u" TIN TAIL AREA
- PACKAGING OPTIONS
 - B - TUBES
 - R - TAPE & REEL
- DATE CODE
 - A FOR AUTOMOTIVE APPLICATION
 - H FOR HPO SMT
- LEAD FREE OPTION

AVAILABLE P/N LIST	
87583-0010BHLF	
87583-0010BLF	OB
87583-0010RLF	OB
87583-1010BLF	OB
87583-1010RPLF	
87583-1010RPLF	OB
87583-2010BLF	
87583-2010BPLF	
87583-2010RLF	
87583-2010RPLF	
87583-3010BLF	
87583-3010BPLF	
87583-3010RPLF	
87583-3010RPLF	
87583-S010XPLF	

- (CONTINUE)
- 9. P/N'S WITH SUFFIX "LF" ARE LEAD FREE P/N'S
 - 10. FOR LEAD FREE P/N, THE PRODUCT MEET EUROPEAN UNION DIRECTIVES AND OTHER COUNTRY REGULATION AS DESCRIBED IN GS-22-008
 - 11. THE HOUSING WILL WITHSTAND EXPOSURE TO 260°C PEAK TEMPERATURE FOR 40 SECONDS IN A CONVECTION, INFRO-RED OR VAPOR PHASE REFLOW OVEN.
 - 12. FOR AUTOMOTIVE APPLICATION: ALL THE TOLERANCES ".XX" ARE ±0.10 UNLESS OTHER SPECIAL NOTIFICATION

www.fciconnect.com		surface <input checked="" type="checkbox"/>	tolerance std	projection	MM
TOLERANCES UNLESS OTHERWISE SPECIFIED					
Dr	PETER	3/18/98	ANGULAR	LINEAR	size A4 Scale 4.000
Eng	R Y LIU	3/18/98	0.x	±0.30	ECN N10-0260
Chr	R Y LIU	3/18/98	0.xx	±0.20	
Appr	JENN TSAO	3/18/98	0.xxx	±0.10	
FCJ		UNIV. SERIAL BUS S.M.		87583	Rev. AB
RECEPTACLE		CUSTOMER		sheet 3 of 3	



Copyright FCI.

REV F - 2004-04-07