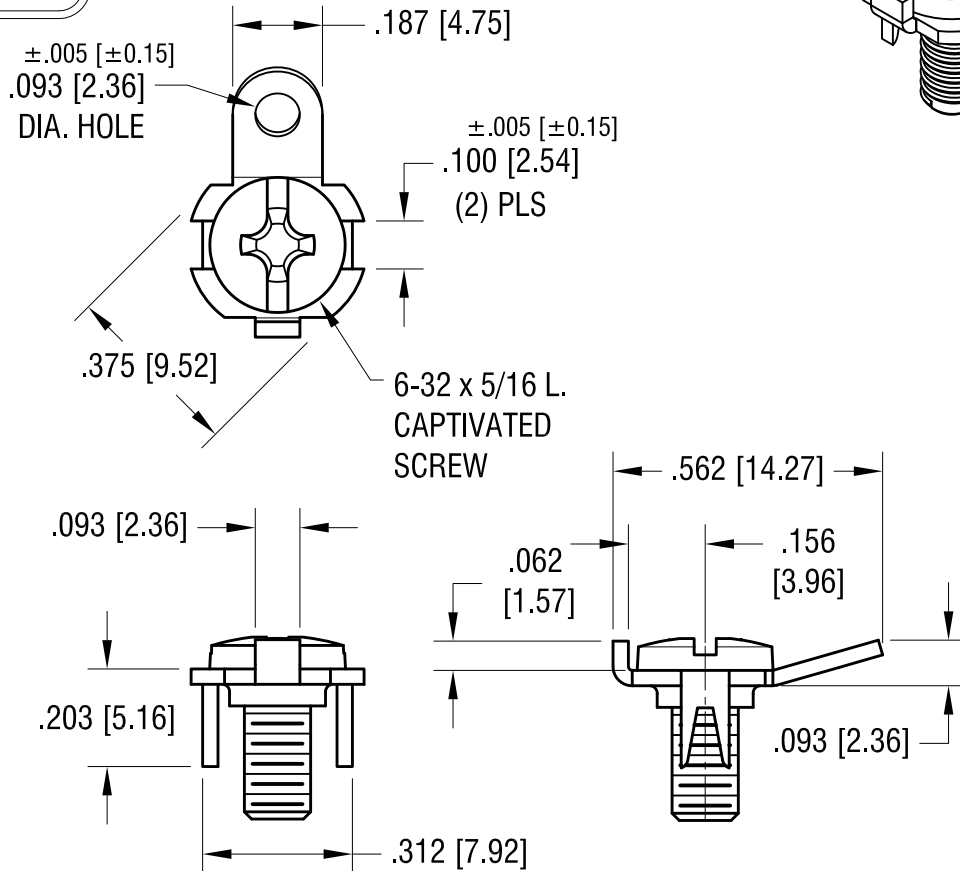
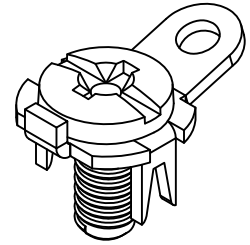
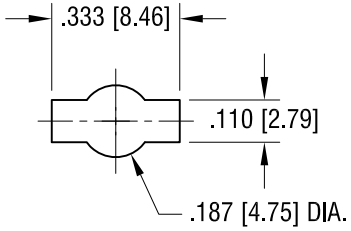


THIS DOCUMENT IS THE PROPERTY OF KEYSTONE ELECTRONICS CORP. AND SHALL NOT BE REPRODUCED, DISTRIBUTED OR USED AS A BASIS FOR MANUFACTURE WITHOUT PRIOR WRITTEN PERMISSION FROM KEYSTONE ELECTRONICS CORP.

**MOUNTING DETAIL**



**NOTE:**

- 1. TERMINAL: MAT'L: .032 [0.81] TH'K STEEL  
FINISH: MATTE TIN PLATE
- SCREW: MAT'L: STEEL  
FINISH: NICKEL PLATE

**KEYSTONE ELECTRONICS CORP.**

www.keyelco.com • ASTORIA, N.Y. 11105-2017 • Tel (718) 956-8900

|                            |                 |                            |             |
|----------------------------|-----------------|----------------------------|-------------|
| PART NAME                  |                 | SCREW TERMINAL, SOLDER TAB |             |
| MATERIAL                   |                 | AS NOTED                   |             |
| FINISH                     | AS NOTED        | DRN BY                     | BOONE       |
|                            |                 | APP'D                      | SCALE       |
|                            |                 |                            | 12.28.99    |
|                            |                 |                            | 2.5X        |
| TOLERANCES                 | INCH [MM]       | CODE                       | DWG NO.     |
| DECIMAL                    | ± .015 [± 0.38] | C/M                        |             |
| ANGULAR                    | ± 1°            |                            |             |
| UNLESS OTHERWISE SPECIFIED |                 |                            | <b>1232</b> |

|         |                          |      |
|---------|--------------------------|------|
| 7.16.09 | CHANGE AS PER ECN 09-108 | A    |
| DATE    | DESCRIPTION              | REV. |