

NEW

LED Power Supply Card Edge Type Connector

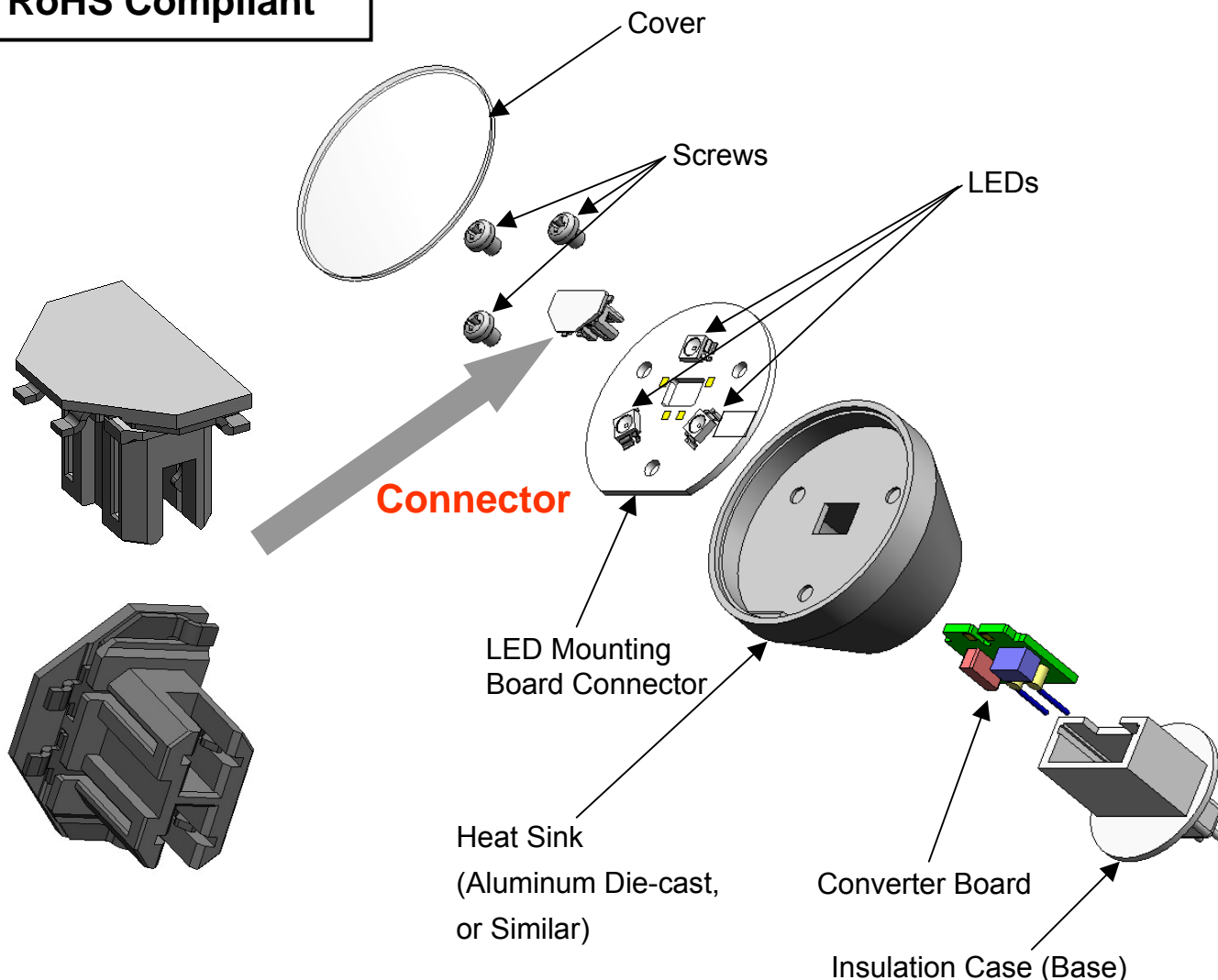
CONNECTOR

ES3 Series

MB-0221-1

December 2010

RoHS Compliant



Drawing of Inside of LED Bulb
(For Reference)

The ES3 Series is a card edge connector for power supply of LED lighting devices that enables direct connection of the converter board and the LED mounting board.

It is a 2-position card edge type connector ideal for LED bulb and LED lighting devices.

The ES3 Series connectors are available in embossed tape, compatible with SMT mounting.

The connector allows reflow solder mounting to the LED mounting board to occur at the same time other parts like LED and SMT components are mounted.

Features

- Low-profile 1.6mm mounting height, designed with consideration for light shielding.
- Insulator is made of white LCP for heat and light resistance.
- Direct connection of converter board and LED mounting board allows for reduced assembly work time.
- Cable-less connection makes reduction in the number of parts possible.
- SMT type, can be mounted at the same time as other components to the LED mounting board.

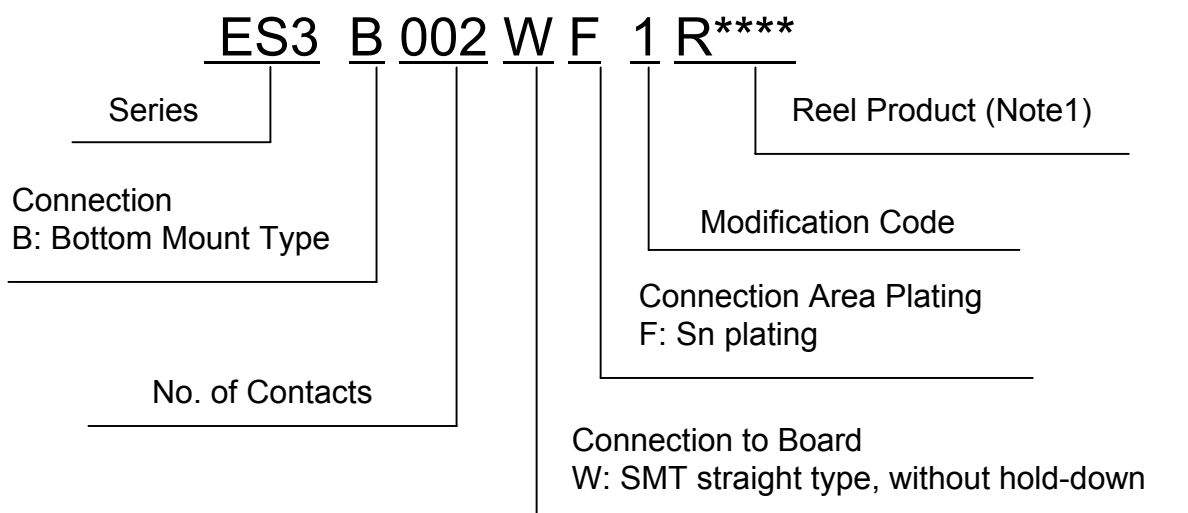
General Specifications

- No. of Contacts: 2 pos.
- Contact Resistance: 60mΩ max. (initial)
- Dielectric Withstanding Voltage: AC 500Vr.m.s (per minute)
- Durability: 20 mating cycles
- Board Insertion Force: 30N max.
- Rated Current: 1A
- Rated Voltage: AC, DC 200V
- Insulation Resistance: 10MΩ min. (after test)
- Operating Temperature: -40 to+105 Deg. C

Materials and Finishes

Component	Material / Finish
Insulator	White LCP
Contact-R	Copper alloy / Sn plating
Contact-L	Copper alloy / Sn plating

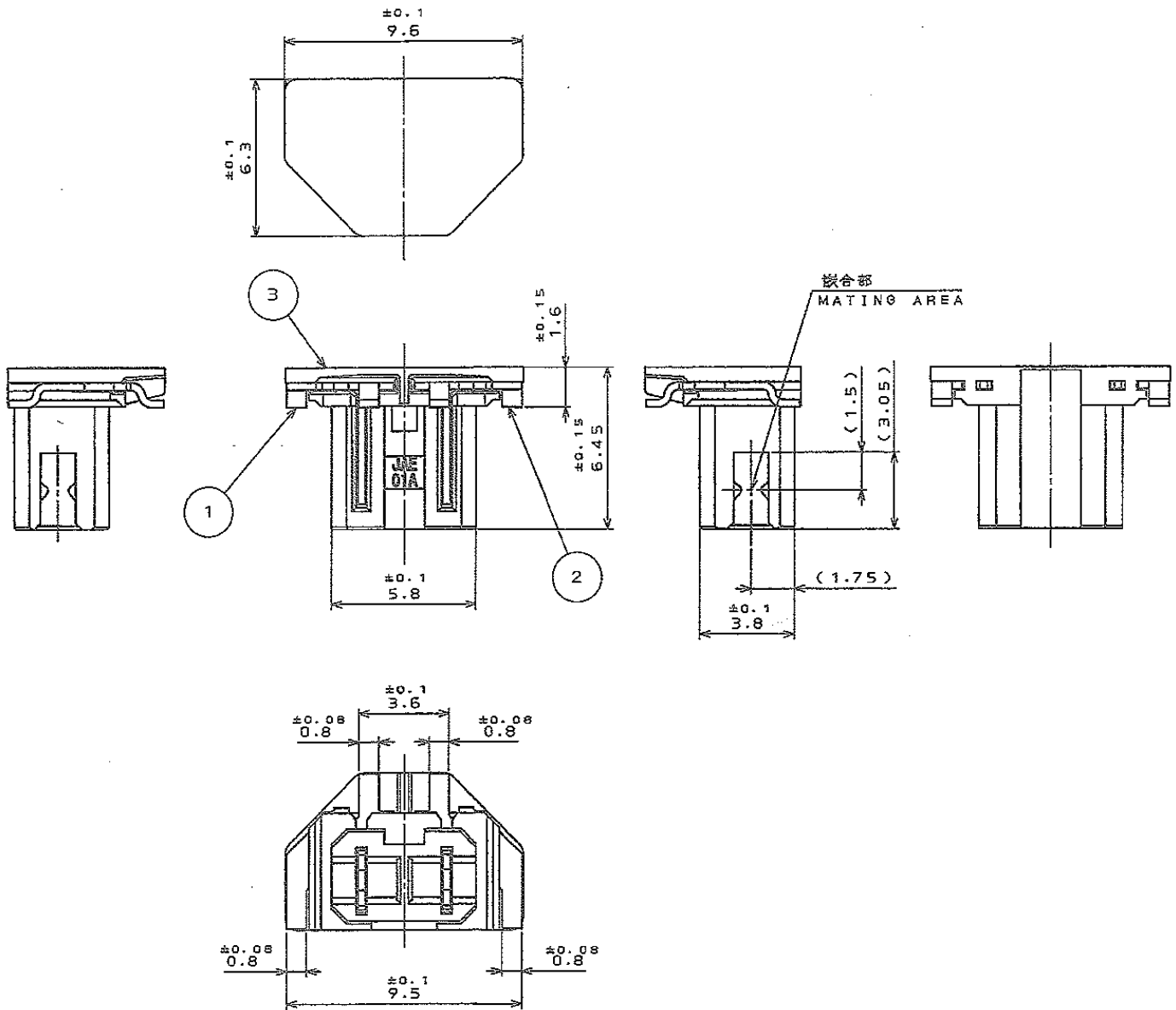
Ordering Information



Drawing

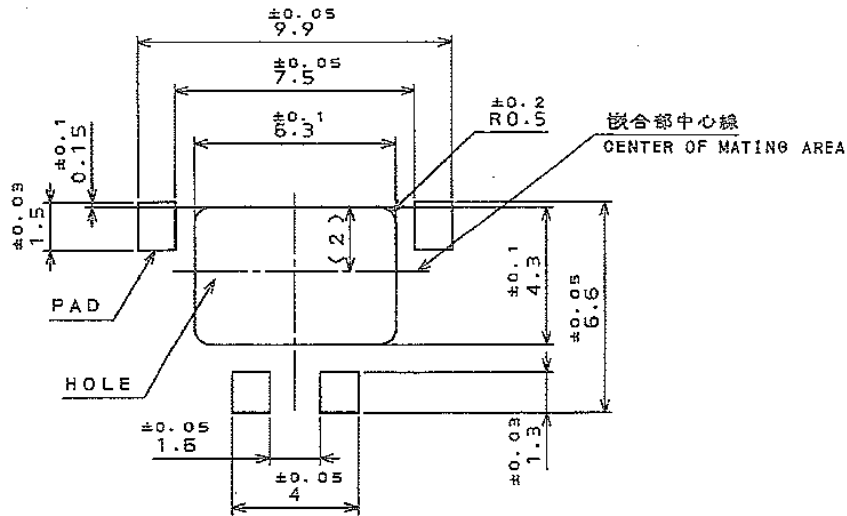
Unit: mm

Part Number	ES3B002WF1
SJ Drawing	SJ110395



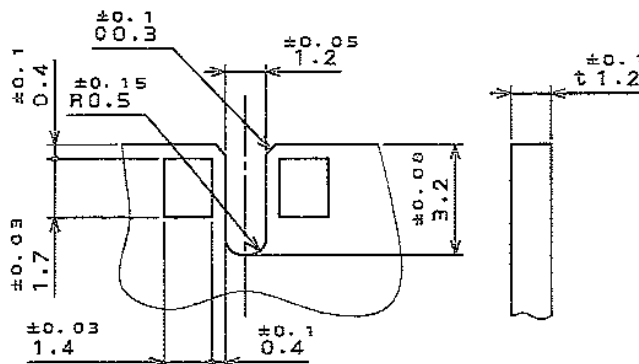
3	INSULATOR インシュレータ	1	LOP		COLOR: WHITE
2	CONTACT-R コンタクト-R	1	COPPER ALLOY 銅合金	LEAD-FREE TIN PLATING	
1	CONTACT-L コンタクト-L	1	COPPER ALLOY 銅合金	LEAD-FREE TIN PLATING	
符号 NO.	名称 DESCRIPTION	個数 QTY.	材料 MATERIAL	仕上 FINISH	備考 REMARKS

Unit: mm



参考適合基板寸法 (SMT側)
APPLICABLE P.C.B. DIMENSION(SMT) (REF.)

Applicable Dimensions of Board
(SMT Side, for Reference)

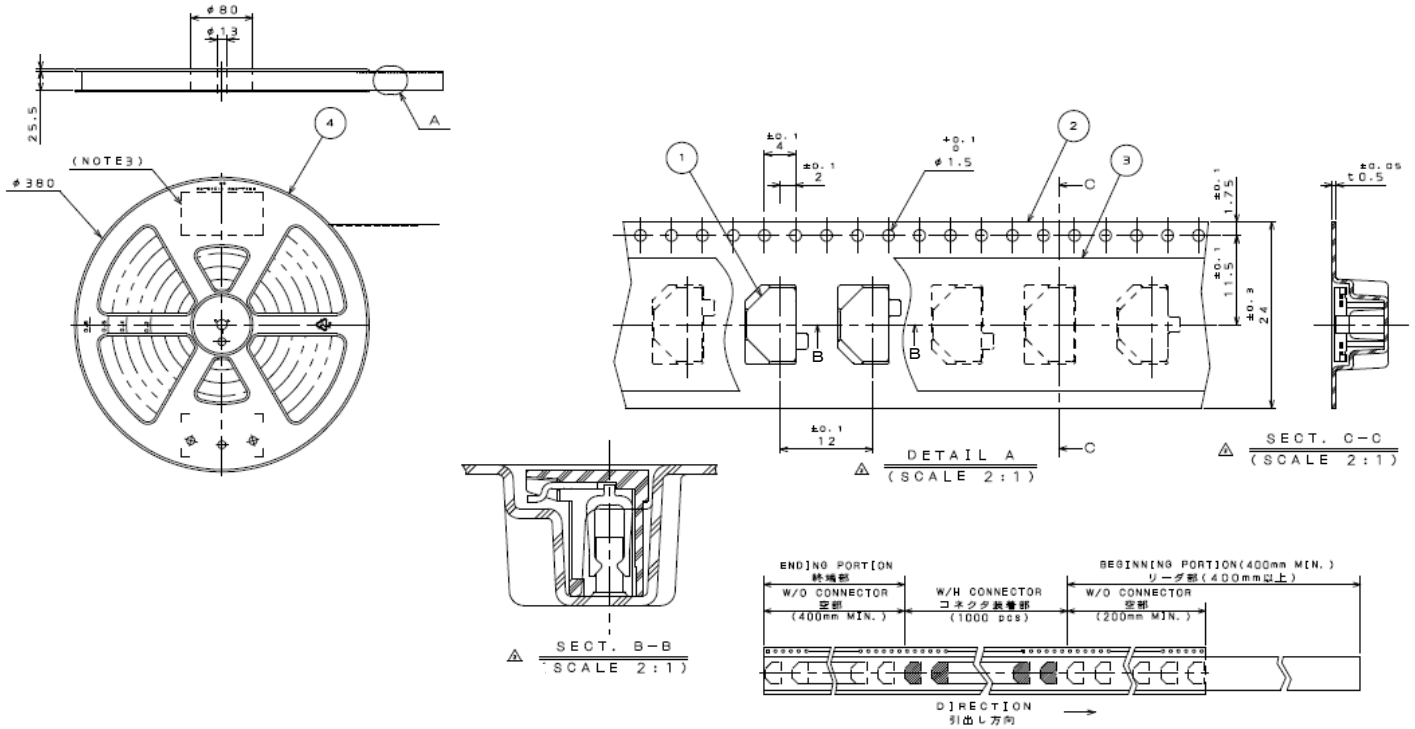


参考適合基板寸法 (カード側)
 (錫または錫合金めっき)
APPLICABLE P.C.B. DIMENSION(CARD) (REF.)
 (TIN / TIN ALLOY -PLATED)

Applicable Dimensions of Board
(Card Side, for Reference)

Part Number	ES3B002WF1R1000
SJ Drawing	SJ110396

Unit: mm



4	REEL	1	POLYSTYRENE	_____	
3	COVER TAPE	1	POLYESTER	_____	
2	CARRIER TAPE	1	POLYSTYRENE	_____	
1	CONNECTOR	1000	_____	_____	ES3B002WF1 SJ110396(巻2)

Notice: Products shown in this brochure are made for the applications listed below. However, if the above-mentioned products are to be used in aerospace devices, marine cable-connection devices, atomic power control systems, medical equipment for life-support systems, or any other specific application requiring extremely high reliability, please contact JAE for further information.

Recommended applications: Computers, Office machines, Measuring devices, Telecommunication devices (Terminals, Mobile devices), AV devices, Household applications, FA devices, etc.

Japan Aviation Electronics Industry, Ltd.
 Product Marketing Division
 Aobadai Building, 3-1-19, Aobadai, Meguro-ku, Tokyo 153-8539
 Phone: +81-3-3780-2787 FAX: +81-3-3780-2946