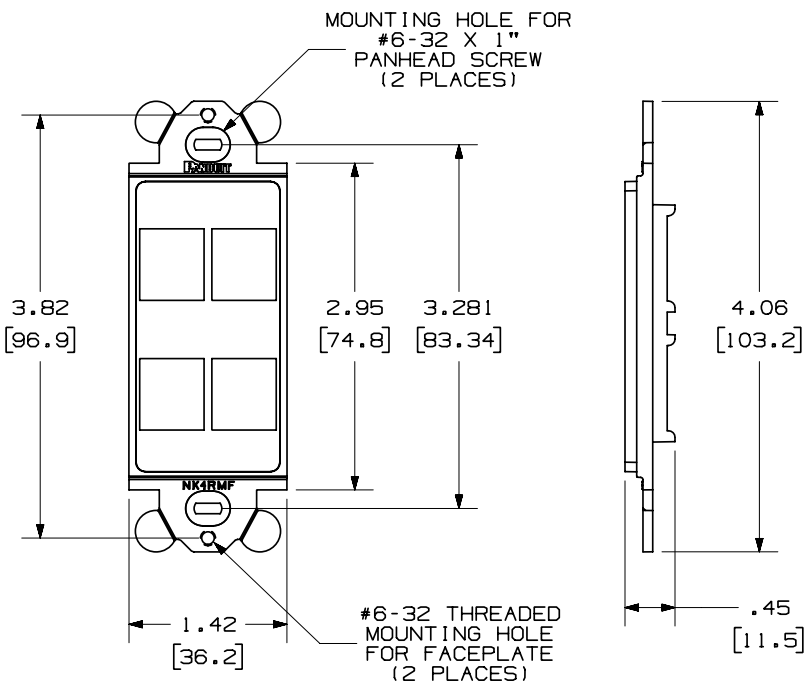


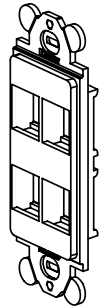
THIS COPY IS PROVIDED ON A RESTRICTED BASIS AND IS NOT TO BE USED IN ANY WAY DETRIMENTAL TO THE INTERESTS OF PANDUIT CORP.



PANDUIT P/N	WEIGHT
NK4RMF**	.02LB EACH PC (11.1G EACH PC)

NOTES:

1. SEE CURRENT CATALOG FOR ADDITIONAL PART NUMBER SUFFIXES TO INDICATE COLOR AND OR PACKAGE QUANTITY.
2. SEE CATALOG FOR COMPLETE LIST OF PARTS APPLICABLE FOR USE WITH THIS PART.
3. DIMENSIONS IN PARENTHESES ARE IN METRIC.
4. (2) #6-32 x 1" PANHEAD SCREWS ARE SUPPLIED.



MODEL FILENAME	D38402BA_NK4RMF_02.PRT	SIZE	A
DRAWING FILENAME	D38402BA_DC_02A.PRT		

NETKEY™ 4 POSITION RECTANGULAR MODULE FRAME CUSTOMER DRAWING

<p>PANDUIT™ TINLEY PARK, ILL 60477</p> <p>THIRD ANGLE PROJECTION</p>	I.I. NUMBER	N/A	
	PRODUCT SPEC	N/A	
	WORK INSTRUCTION	N/A	
	SCALE	NONE	
DRAWN BY	JSP	MATERIAL	ABS
DATE	3-11-03	PART NO.	NK4RMF**
CHK'D		DRAWING NO.	38402-02

REV	DATE	BY	CHK	DESCRIPTION	ECN	R	CUST	SUP	OTH
R	3-11-03	JSP		RELEASED TO PRODUCTION	38402-02				