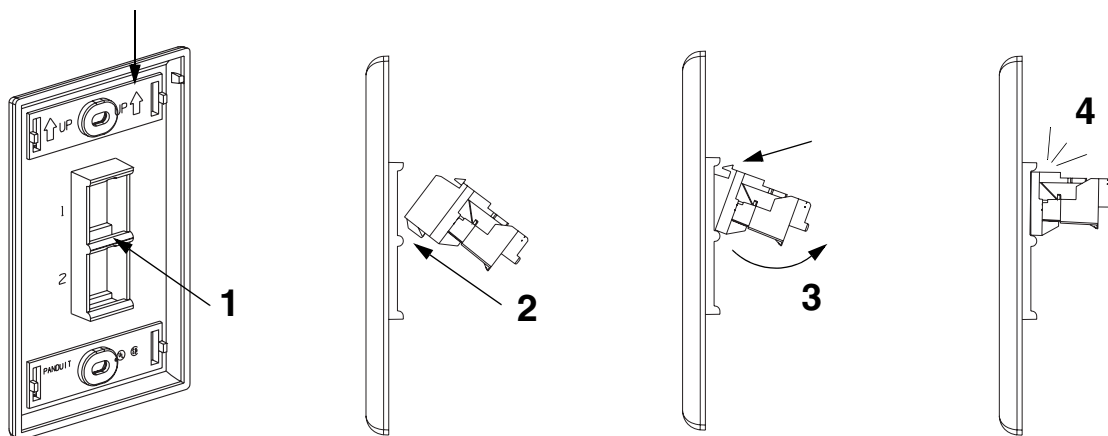
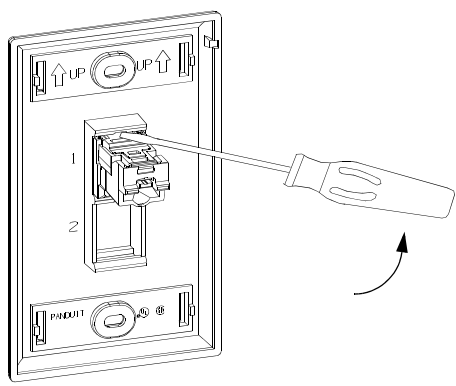


### MODULE ASSEMBLY



### MODULE REMOVAL



\*\* Denotes color.

For Instructions in Local Languages  
and Technical Support:  
[www.panduit.com/resources/install\\_maintain.asp](http://www.panduit.com/resources/install_maintain.asp)



E-mail:  
[cs@panduit.com](mailto:cs@panduit.com)  
Fax:  
866-449-1702