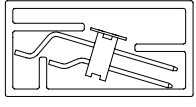


REV. S

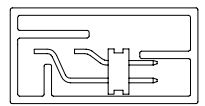
DIMENSIONS ARE IN INCHES		UNLESS OTHERWISE NOTED		TOLERANCES ARE:	
ONE PLACE DECIMALS ±.1[2.5]	TWO PLACE DECIMALS ±.01[.3]	THREE PLACE DECIMALS ±.005[.13]	FOUR PLACE DECIMALS ±.0020[.051]	ANGLES ± 2°	

TITLE:
.8MM x 1.2MM C.L.
TERMINAL STRIP ASSM

DWG NO:
FTE-1XX-XX-G-DH-X-XX
SHEET 2 OF 2

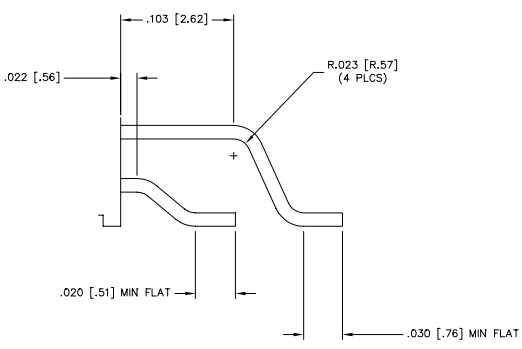


PACKAGING VIEW
STYLE -02, -03
STYLE -02-K, -03-K



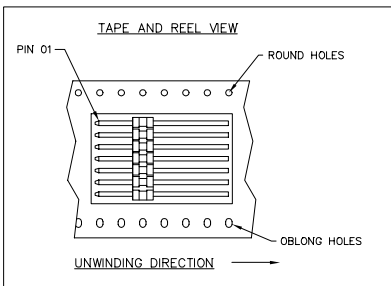
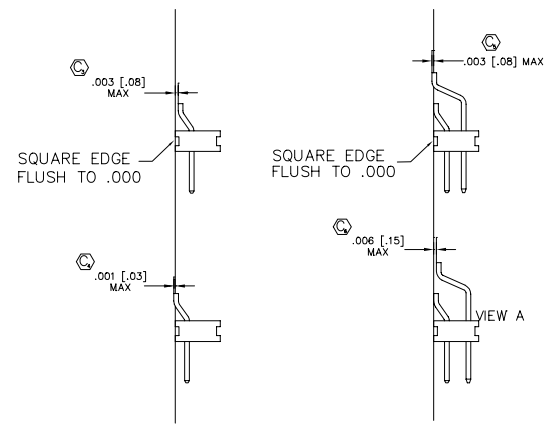
PACKAGING VIEW
STYLE -01
STYLE -01-K
TUBE: PT-1-24-01-92
PLUG: TP-24

GEOMETRIC FLATNESS

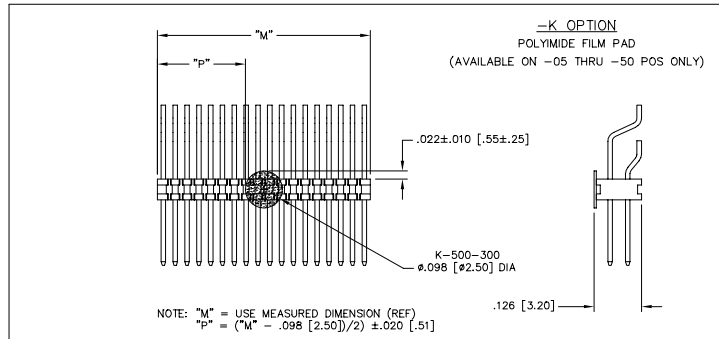


DETAIL 'A'
SCALE: 4x

COPLANARITY VIEWS



PROPRIETARY NOTE
THIS DOCUMENT CONTAINS INFORMATION CONFIDENTIAL AND PROPRIETARY TO SAMTEC INC. AND SHALL NOT BE REPRODUCED OR TRANSMITTED TO OTHER DOCUMENTS OR DEVICES TO OTHERS OR USED FOR ANY PURPOSES OTHER THAN THAT FOR WHICH IT WAS OBTAINED WITHOUT THE EXPRESSED WRITTEN CONSENT OF SAMTEC INC.



520 PARK EAST BLVD. NEW ALBANY, INDIANA 47150
PHONE (812) 944-6733 P.O. BOX 1147
CODE 55322

MADE BY: D PURVS 10/13/98

FTE-1XX-XX-G-DH-X-XX
SHEET 2 OF 2