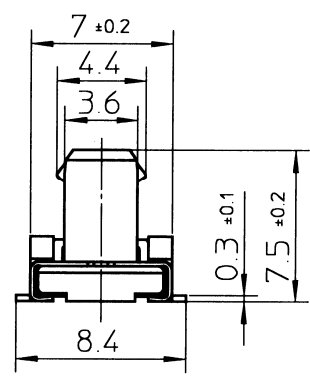
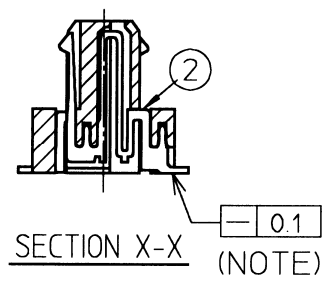


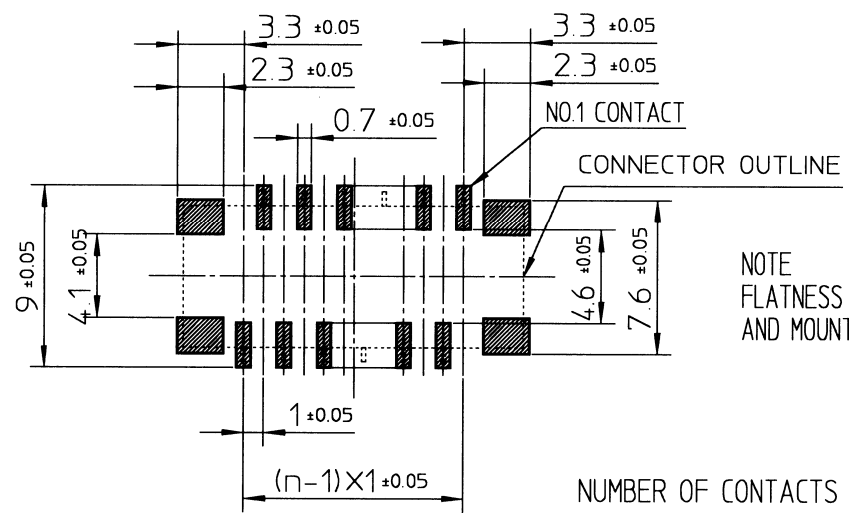
TOLERANCES
UNLESS OTHERWISE SPECIFIED : ±0.3



PT. NO.	PARTS NAME	MATERIAL	Q'TY	NOTE
1	HOUSING	GLASS FILLED THERMOPLASTIC RATED.(UL94V-0)	1	COLOR:BRACK
2	CONTACT	PHOSPHOR BRONZE	n	PLATING:TIN ALLOY
3	MOUNTING PLATE	BRASS	2	PLATING:TIN ALLOY

RECOMMENDED PC BOARD LAYOUT
(COMPONENT SIDE)

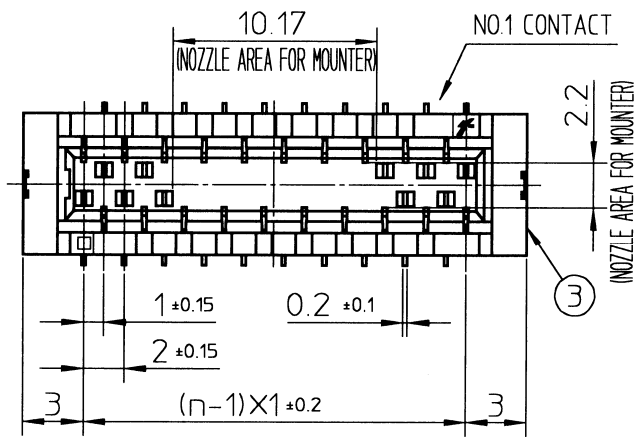
n:NO. OF CONTACTS



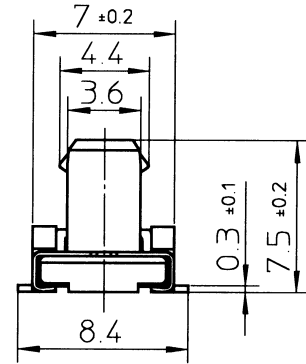
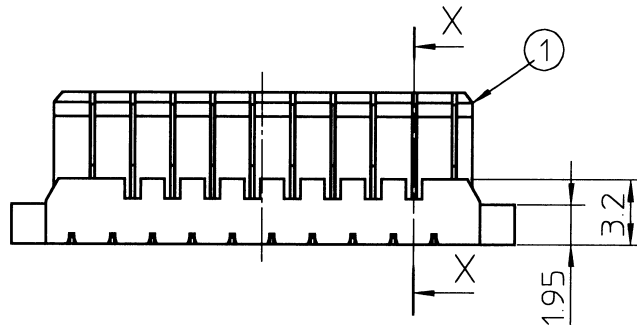
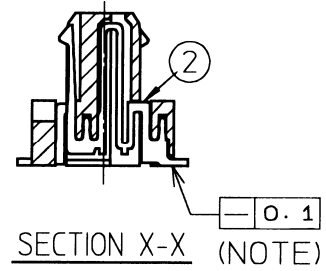
NOTE
FLATNESS FOR CONTACT TERMINAL
AND MOUNTING PLATE MUST BE WITHIN 0.1.

NUMBER OF CONTACTS : 10 TO 16 , ONLY EVEN POS

REV.	DATE	変更内容 DESCRIPTION	承認 APPD	承認 APPD	尺度 SCALE	χ	単位 DIM.IN	mm	品名 PRODUCT NAME	FLOATING BOARD TO BOARD PLUG CONNECTOR (SMT)	
					設計 DESIGN	<i>m.koga</i>			型番 CAT.NO.	BTFW__P-3SST	
					製図 DRAWN	<i>AUT. 21/2001</i>			図番 DWG.NO.	JSA 95589-1/2	REV. 0
					検図 CHKD	<i>S. Nakajima</i>					DF-123 REV.B
									TECI		



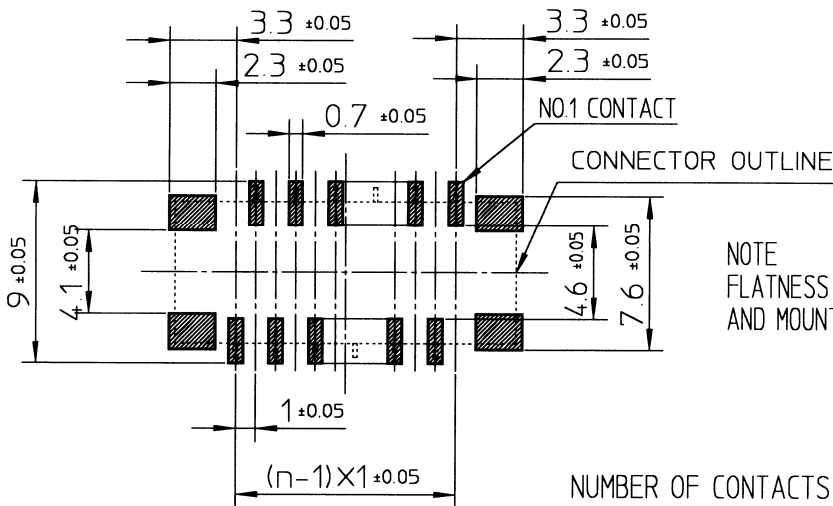
TOLERANCES
UNLESS OTHERWISE SPECIFIED : ±0.3



PT. NO.	PARTS NAME	MATERIAL	Q'TY	NOTE
1	HOUSING	GLASS FILLED THERMOPLASTIC RATED (UL94V-0)	1	COLOR:BRACK
2	CONTACT	PHOSPHOR BRONZE	n	PLATING:TIN ALLOY
3	MOUNTING PLATE	BRASS	2	PLATING:TIN ALLOY

RECOMMENDED PC BOARD LAYOUT
(COMPONENT SIDE)

n: NO. OF CONTACTS

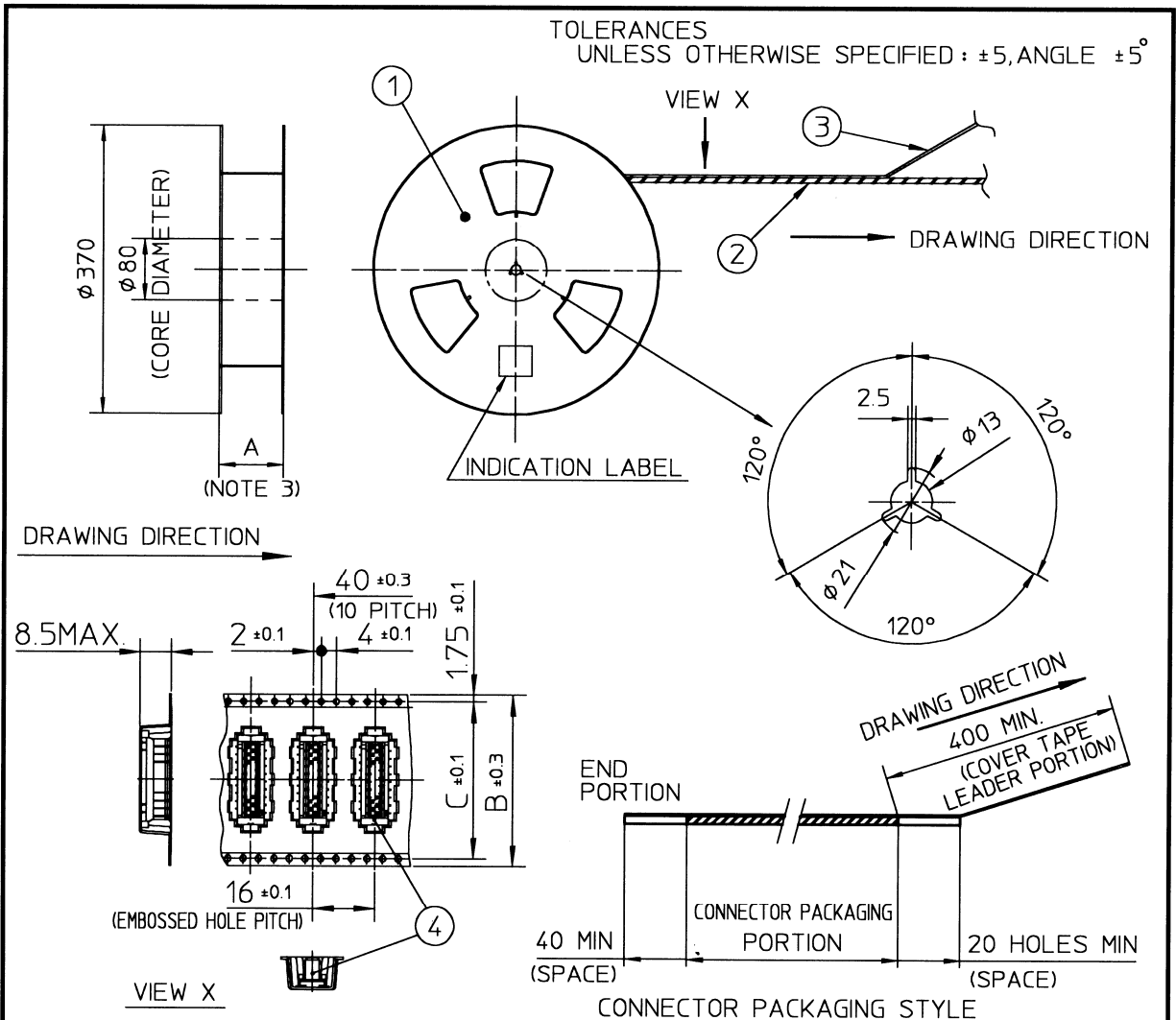


NOTE
FLATNESS FOR CONTACT TERMINAL
AND MOUNTING PLATE MUST BE WITHIN 0.1.

NUMBER OF CONTACTS : 18 TO 30 , ONLY EVEN POS.

REV.	DATE	変更内容 DESCRIPTION	承認 APPD	承認 APPR	尺度 SCALE	λ	單位 DIM.IN	mm	品名 PRODUCT NAME	FLOATING BOARD TO BOARD PLUG CONNECTOR (SMT)	
					設計 DESIGN	<i>m.koga</i>			型番 CAT.NO.	BTFW__P-3SST	
					製図 DRAWN	<i>AUT. 2, 2001</i>			図番 DWG.NO.	JSA 95589-2/2	REV. 0
					検図 CHKD	<i>S. Nakajima</i>					
											DF-123 REV.B





PT. NO.	PARTS NAME	CAT. NO.	MATERIAL	Q'TY	NOTE
1	REEL	_____	CARDBOARD	1	_____
2	PLASTIC (EMBOSS) TAPE	_____	PET RESIN OR PP RESIN	_____	COLOR : TRANSPARENCY
3	COVER	_____	POLYESTER	_____	COLOR : TRANSPARENCY
4	CONNECTOR	BTFW_P-3SST	SEE ATTACHED DWG.	700	

DIMENSIONS

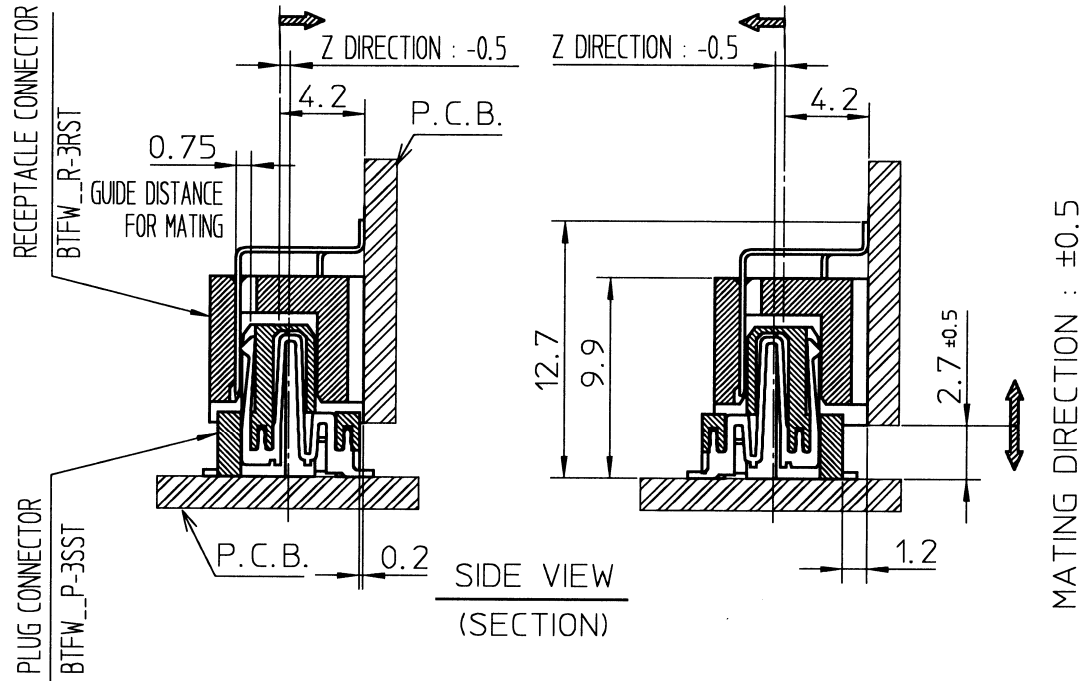
CATALOG NUMBER	NO. OF CONTACT(ONLY EVEN POS.)	A	B	C
BTFW10~14P-3SSTE1	10~14	38.4	32	28.4
BTFW16~24P-3SSTE1	16~24	50.4	44	40.4
BTFW26~30P-3SSTE1	26~30	62.4	56	52.4

- NOTES
- THIS IS PLASTIC TAPE PACKAGED CONNECTOR USED FOR BOARD TO BOARD COPES WITH AUTOMATIC MOUNTING (SMT).
 - SEE JIS C 0806 (PACKING OF ELECTRONIC COMPONENTS ON CONTINUOUS TAPES (SURFACE MOUNTING DEVICES)) FOR SHAPE AND DIMENSIONS OF PLASTIC (EMBOSS) TAPE AND REEL.
 - THIS DIMENSION IS PORTION OF THE CORE.

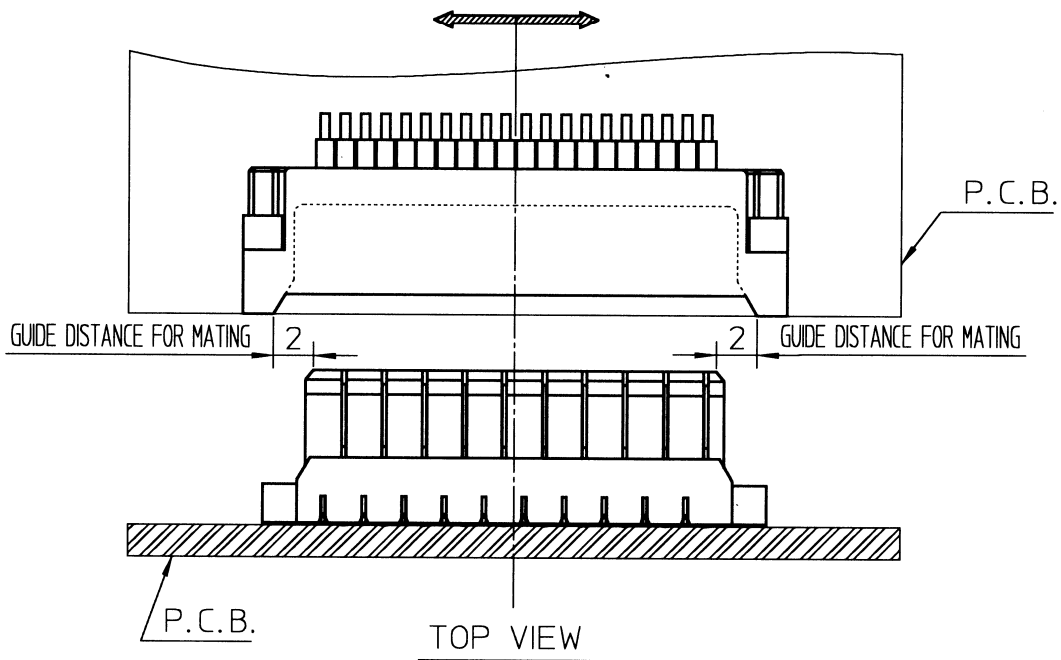
4			SCALE	∞	UNIT	mm	PRODUCT NAME	PLASTIC TAPE PACKAGED BOARD TO BOARD PLUG CONNECTOR
3			DESIGNED	June 10, 1999			CAT. NO.	BTFW_P-3SSTE1
2			DRAWN	M.Koga			DWG. NO.	JSA 95034
1	Sep. 28 2000	CHANGED TAPE WIDTH	mk	S.N	CHECKED			REV. 1
REV.	DATE	REVISED DESCRIPTION	APPROVED	APPROVED		K.Sueki		

THIS FIGURE SHOW THE CONNECTOR MATING BY MAKING CENTER AS CRITERIA.

FLOATING ALLOWANCE MATING DIRECTION : ± 0.5
 PITCH DIRECTION : ± 0.8
 Z DIRECTION : ± 0.5



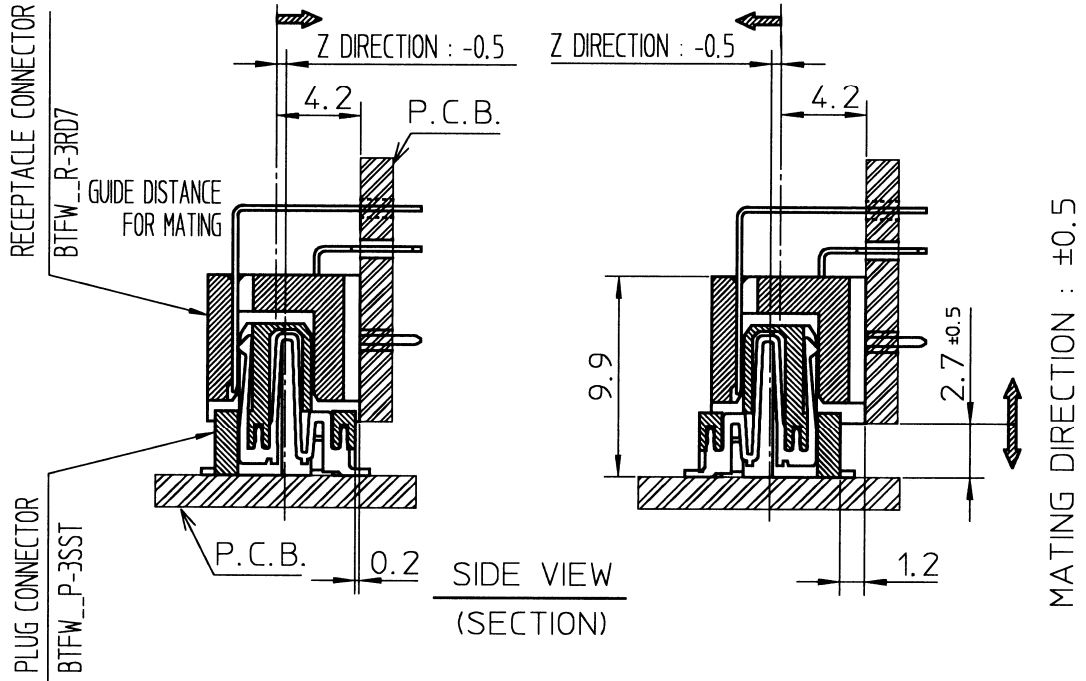
PITCH DIRECTION : ± 0.8



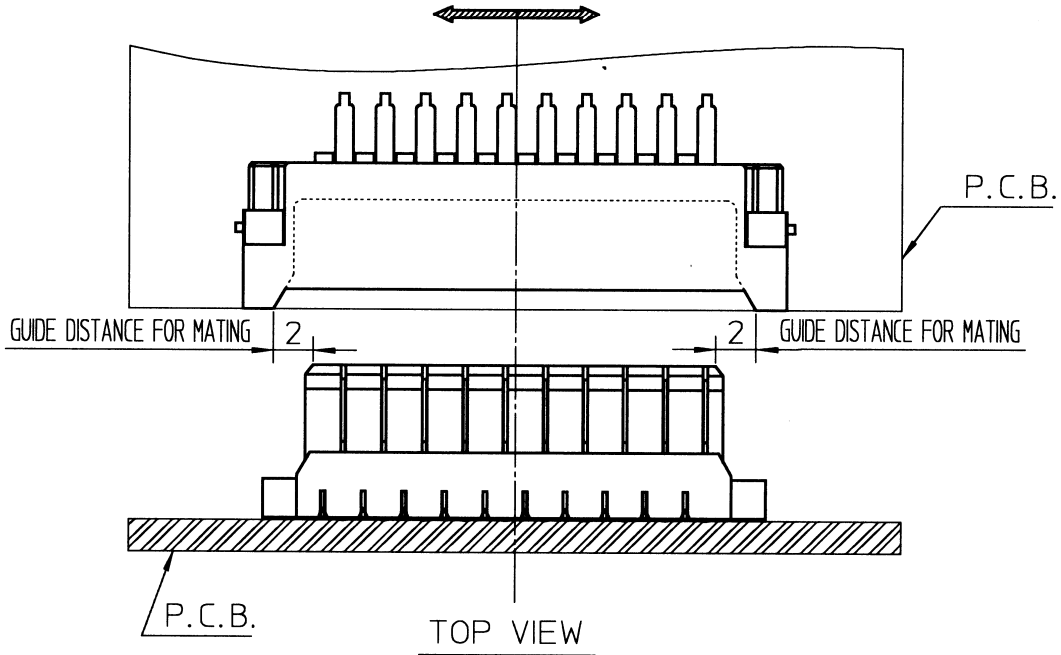
4			SCALE	\times	UNIT	mm	PRODUCT NAME	CROSS SECTION OF MATED CONDITION	
3			DESIGNED				CAT. NO.	BTFW_P-3SST/ BTFW_R-3RST	
2			DRAWN				DWG. NO.	JSA 94532	REV. 0
1			CHECKED				FRAMATOME CONNECTORS FCI JAPAN LTD.		
REV.	DATE	REVISED DESCRIPTION	APPROVED	APPROVED					

THIS FIGURE SHOW THE CONNECTOR MATING BY MAKING CENTER AS CRITERIA.

FLOATING ALLOWANCE MATING DIRECTION : ± 0.5
 PITCH DIRECTION : ± 0.8
 Z DIRECTION : ± 0.5



PITCH DIRECTION : ± 0.8



4			SCALE	χ	UNIT	mm	PRODUCT NAME	CROSS SECTION OF MATED CONDITION	
3			DESIGNED				CAT. NO.	BTFW_P-3SST/ BTFW_R-3RD7	
2			DRAWN				DWG. NO.	JSA 95032	REV. 0
1			CHECKED						
REV.	DATE	REVISED DESCRIPTION	APPROVED						