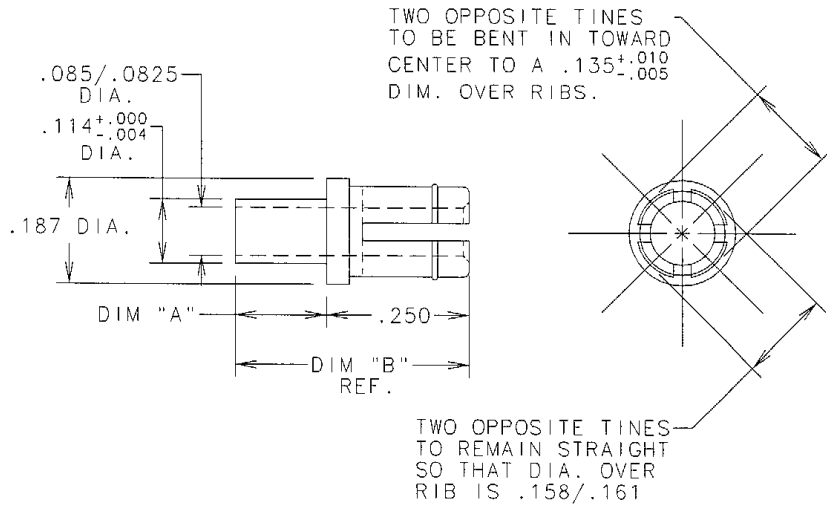


ENG110C

DWG. NO. 31YY1001-X



P	DWP 9-17-97	REDRAWN TO CAD ECN#317632 DWS 9-16-97
A	JMK 1-18-55	ORIGINAL JMK 1-18-55
ISSUE	APP/DATE	DESCRIPTION

REVISIONS

Grayhill GRAYHILL, INC.
561 HILLGROVE AVE.
LA GRANGE, IL 60525
PHONE (708) 354-1040

UNLESS OTHERWISE SPECIFIED TOLERANCES AND DIMENSIONS ARE IN INCHES
LINEAR ± .010 DIAMETERS ± .003
ANGULAR ± 5'
LIMITS APPLY BEFORE FINISHING
DO NOT SCALE THIS PRINT

CRITICAL CHARACTERISTIC FLAGS PER GRAYHILL SPEC.SOP2338

	-- CRITICAL CHARACTERISTIC FLAG
	-- Cpk REQUIRED
	-- S.P.C. FLAG (CONTROL CHART REQ'D ON FEATURE SPECIFIED)

FINISH	SEE NOTE 1	APPROVED DATE	JMK 1-18-55
MATERIAL	BRASS ALLOY #283	CHECKED DATE	JMK 1-18-55
NAME	TEST JACK ASSY.	DRAWN DATE	JMK 1-18-55
CAGE NO.	81073	CADAM DRAWING	31YY1001-X,P.01,1,1
A SIZE	DWG. NO. 31YY1001-X	ISSUE	P
SCALE	4:1	SHEET	1 OF 1

SALES PART NO.	TEST JACK PART NO.	DIM "A"	DIM "B"	P.C. BOARD THICKNESS
31-1	31C1012-1	.105	.355	1/16"
31-2	31C1012-2	.135	.385	3/32"
31-3	31C1012-3	.165	.415	1/8"

Obsolete
Obsolete

NOTES:
1. FINISH: SILVER .0003/.0005 UNDER GOLD .00002 MIN.